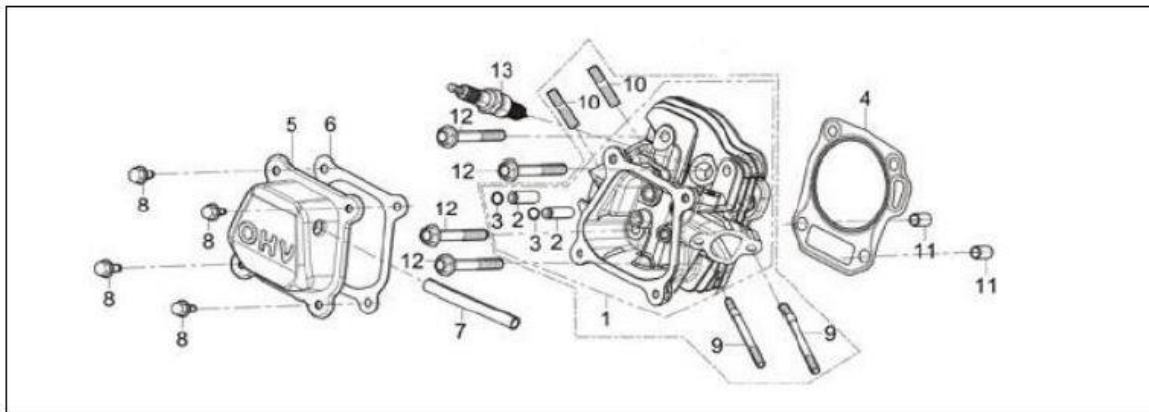


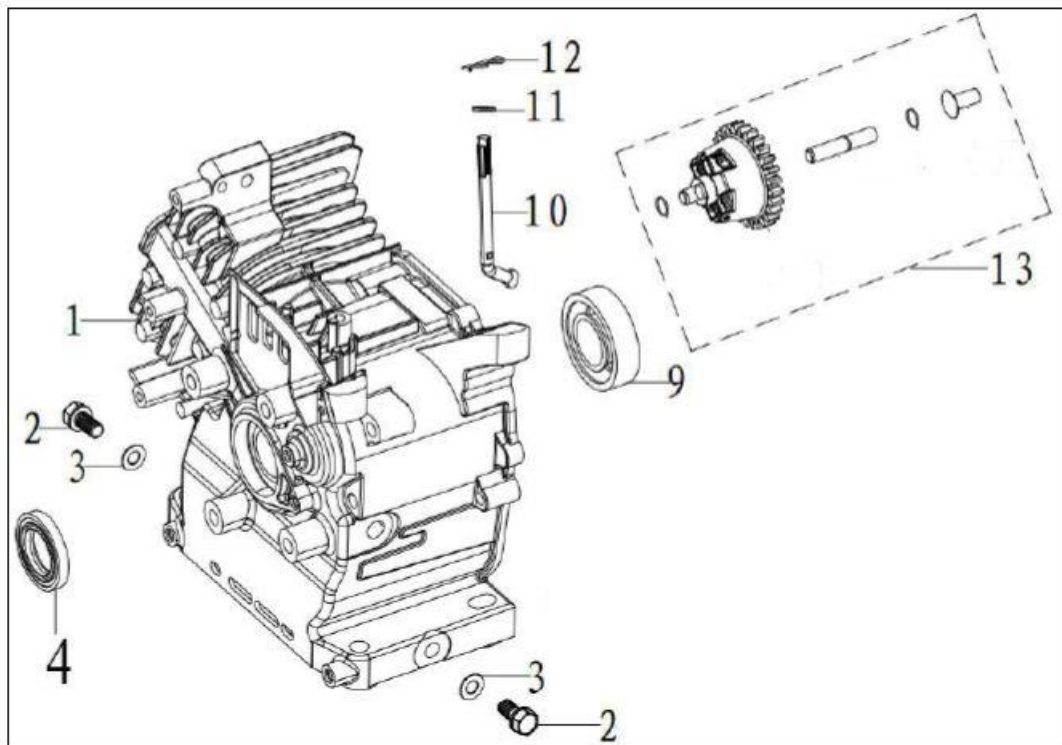
Model: TG725D

Part Number: TG725D

Year: 2019

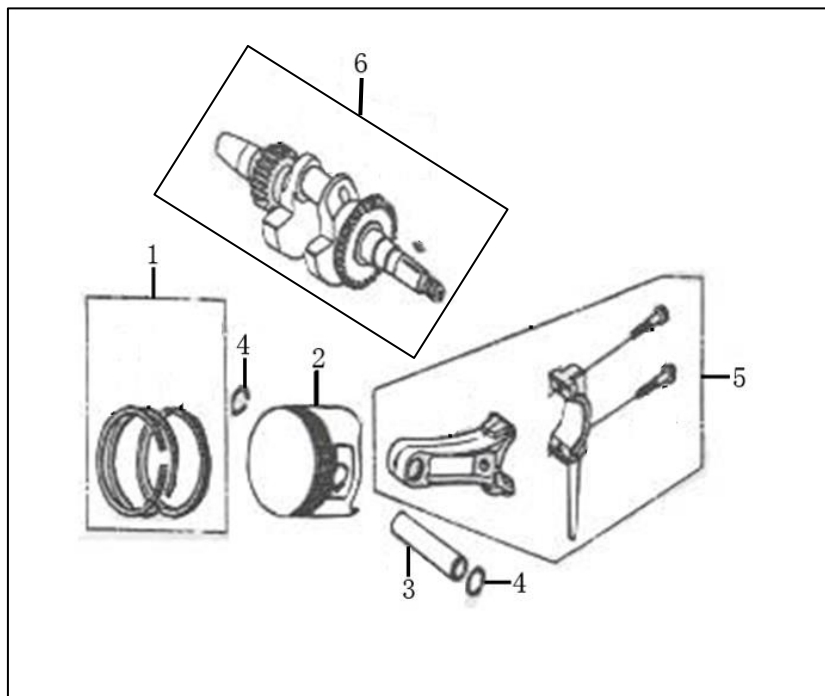


| POS | QTY | PARTNUMBER | BESKRIVELSE | DESCRIPTION |
|-----|-----|------------|----------------------|---------------------|
| 1 | 1 | TG715D | TG715D | |
| 4 | 1 | 428765 | TOPPAKNING | HEAD GASKET |
| 5 | 1 | 428762 | VENTILTÆKSEL | GASKET |
| 6 | 1 | 443549 | VENTILDÆKSEL PAKNING | PACKING, HEAD COVER |
| 7 | 1 | 443550 | ÅNDERØR | TUBE BREATHER |
| 8 | 4 | 428768 | FLANGEBOLT M6X14 | COLLAR BOLT M6X14 |
| 9 | 2 | 428758 | PINBOLT M6X113 | PIN BOLT M6X113 |
| 10 | 2 | 428759 | PINBOLT M8X34 | PIN BOLT M8X34 |
| 11 | 2 | 428767 | STIFT Ø10X16 | PIN Ø10X16 |
| 12 | 4 | 428760 | FLANGEBOLT M8X55 | COLLAR BOLT M8X55 |
| 13 | 1 | 10011041 | TÆNDRØR W22EP-U | SPARK PLUGS W22EP-U |

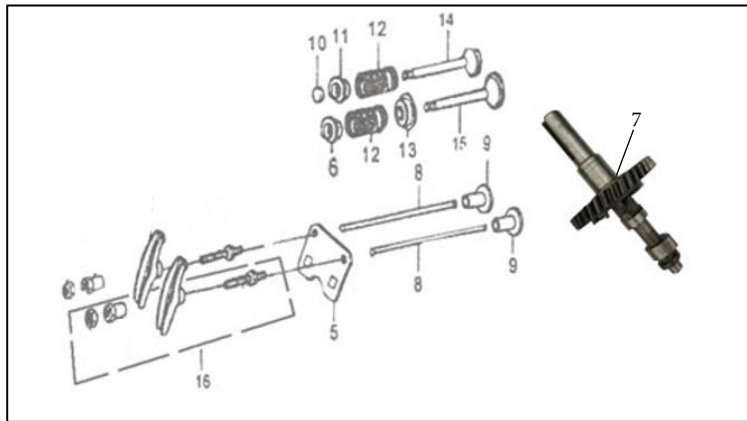


| POS | QTY | PARTNUMBER | BESKRIVELSE | DESCRIPTION |
|-----|-----|------------|------------------------|-----------------------|
| 1 | 1 | 428769 | KRUMTAPHUS | CRANKCASE |
| 2 | 2 | 428770 | OLIEPROP/SKRUE | OIL PLUG |
| 3 | 2 | 428771 | PLANSKIVE FOR OLIEPROP | FACE PLATE |
| 4 | 1 | 428772 | PAKDÅSE 25X41,25X6 | OIL SEAL 25X41,25X6 |
| 9 | 1 | 428773 | KUGLELEJE 25X52X15 | BALL BEARING 25X52X15 |
| 10 | 1 | 428774 | ARM FOR REGULATOR | LEVER |
| 11 | 1 | 428775 | PLANSKIVE M6X15X0,5 | FACE PLATE M6X15X0,5 |
| 12 | 1 | 428776 | FJEDERSPLIT | SPRING COTTER |
| 13 | 2 | 428777 | DEKOMPRESION | DECOMPRESSION |

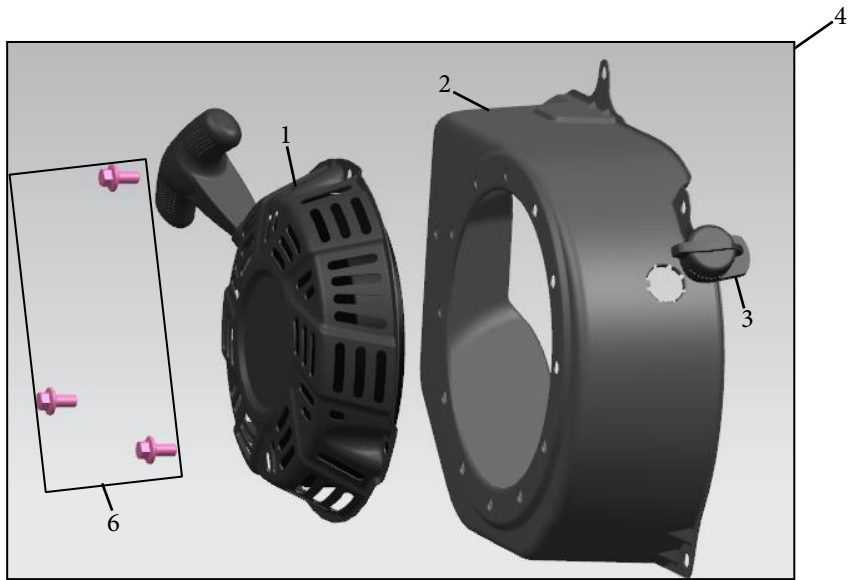
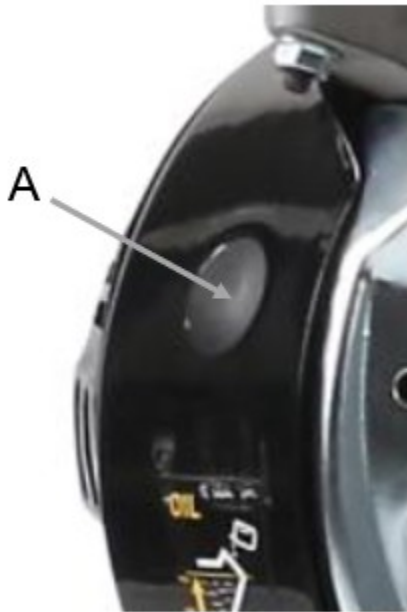
| POS | QTY | PARTNUMBER | BESKRIVELSE | DESCRIPTION |
|-----|-----|------------|-------------------------------|-----------------------|
| 1 | 6 | 428778 | FLANGEBOLT M8X32 | COLLAR BOLT M8X32 |
| 10 | 1 | 428779 | BUNDPROP | OIL CAP |
| 11 | 1 | 443551 | OLIEPIND | OIL PLUG ASSY |
| 4 | 1 | 443552 | SIDE DÆKSEL FOR KRUMTAPHUS | CRANKCASE COVER |
| 5 | 1 | 428772 | PAKDÅSE 25X41,25X6 | OIL SEAL 25X41,25X6 |
| 6 | 1 | 428773 | KUGLELEJE 25X52X15 | BALL BEARING 25X52X15 |
| 7 | 2 | 428782 | STIFT Ø8X14 | PIN Ø8X14 |
| 9 | 1 | 428781 | PAKNING FOR SIDEDÆKSEL | GASKET |
| 12 | 1 | 443553 | PAKDÅSE 25X14X7 | OIL SEAL |



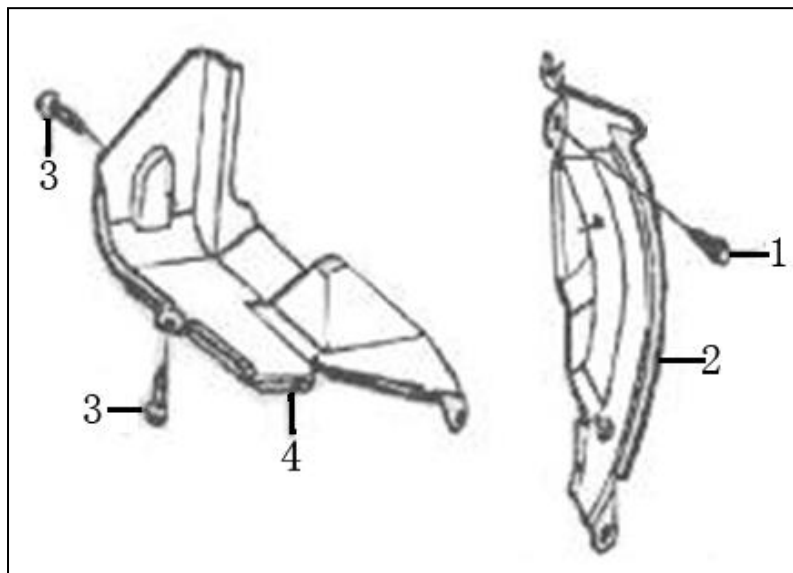
| POS | QTY | PARTNUMBER | BESKRIVELSE | DESCRIPTION |
|-----|-----|------------|-----------------|-----------------|
| 2 | 1 | 428784 | STEMPEL | PISTON |
| 3 | 1 | 428785 | KRYDSPIND | CROSSHEAD TUBE |
| 4 | 2 | 428786 | LÅSERING | LOCKING RING |
| 6 | 1 | 428788 | KRUMTAP | CRANK |
| 1 | 1 | 428783 | STEMPELRINGESÆT | PISTON RING SET |
| 5 | 1 | 428787 | PLEJLSTANG | PISTON ROD |



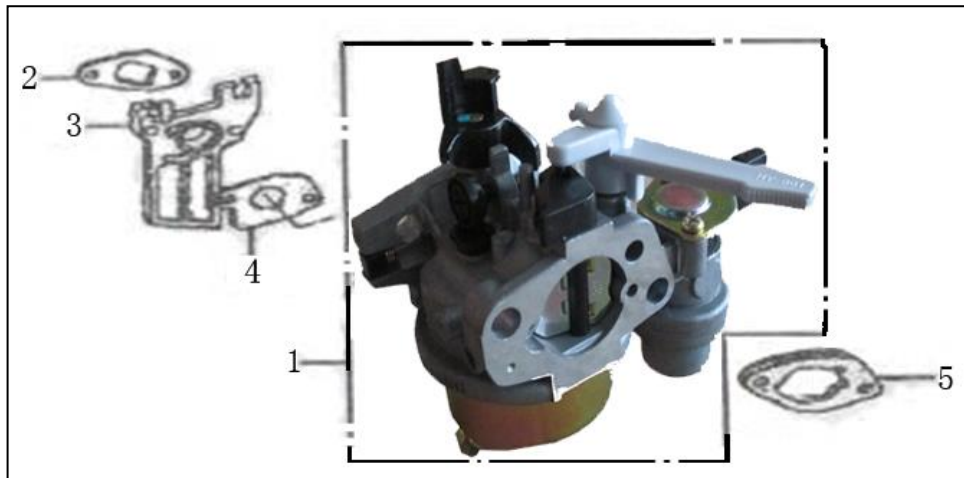
| POS | QTY | PARTNUMBER | BESKRIVELSE | DESCRIPTION |
|-----|-----|------------|------------------------|---------------|
| 16 | 2 | 428789 | VIPPEARMSÆT | ROCKING LEVER |
| 5 | 1 | 428790 | STYREPLADE | VALVE GUIDE |
| 6 | 1 | 428791 | JUSTERINGSMØTRIK | VALVE SEAT |
| 7 | 1 | 428792 | KNASTAKSEL KOMPLET | CAMSHAFT |
| 8 | 2 | 428793 | STØDSTANG | PUSH ROD |
| 9 | 2 | 428794 | STØDSTANGSFOD | VALVE SEAT |
| 10 | 1 | 428795 | PAKDÅSE | GUARD |
| 11 | 1 | 428796 | JUSTERINGSMØTRIK | VALVE SEAT |
| 12 | 2 | 443554 | VENTILFJEDER | SPRING VALVE |
| 13 | 1 | 428797 | PAKNING FOR VENTILSÆDE | GASKET |
| 14 | 1 | 428798 | VENTIL FOR UDSØDNING | VALVE |
| 15 | 1 | 428799 | VENTIL FOR INDSUGNING | VALVE |



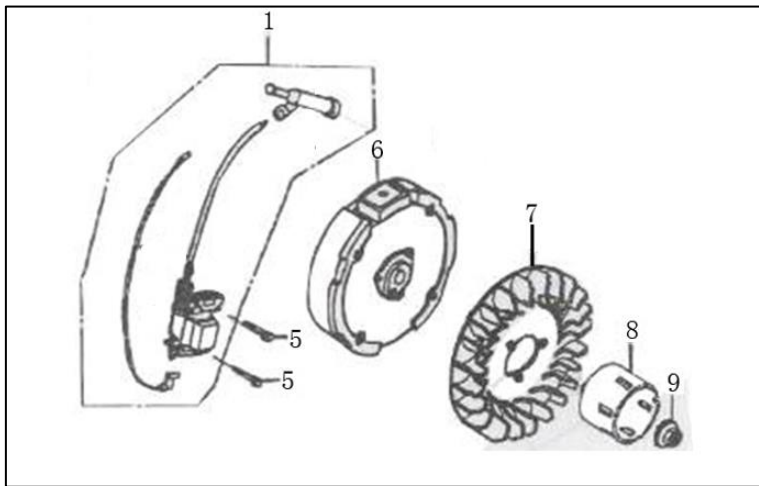
| POS | QTY | PARTNUMBER | BESKRIVELSE | DESCRIPTION |
|-----|-----|------------|--|---------------------|
| A | 1 | 464946 | PROP | PLUG |
| 4 | 1 | 443555 | REKYLSTARTER KOMPLET INKL. BLÆSEHUS | RECOIL STARTER ASSY |
| 1 | 1 | 442931 | REKYLSTARTER TG725 | RECOIL STARTER |
| 2 | 1 | 428803 | BLÆSEHUS | CIRCULATOR CASING |
| 3 | 1 | 443556 | MOTOR KONTAKT | ENGINE SWITCH |
| 6 | 3 | 428805 | FLANGEBOLT M6X8 | COLLAR BOLT M6X8 |



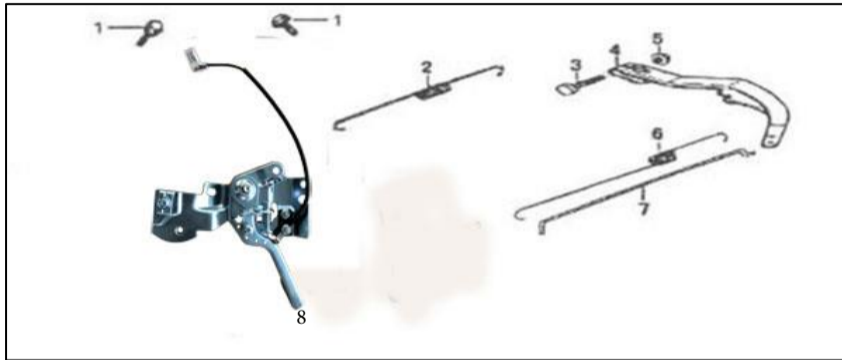
| POS | QTY | PARTNUMBER | BESKRIVELSE | DESCRIPTION |
|-----|-----|------------|------------------|-------------------|
| 1 | 1 | 428811 | FLANGEBOLT M6X20 | COLLAR BOLT M6X20 |
| 2 | 1 | 428812 | SIDEDÆKSEL | SIDE CAP |
| 3 | 2 | 428813 | FLANGEBOLT M6X8 | COLLAR BOLT M6X8 |
| 4 | 1 | 443557 | SIDEDÆKSEL | SHROUD COMP |



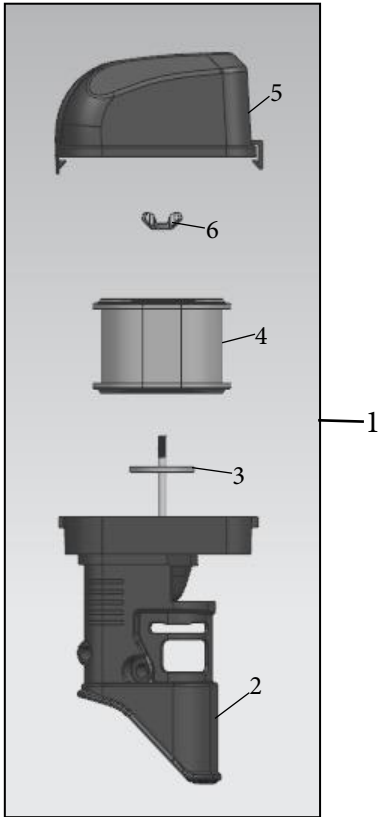
| POS | QTY | PARTNUMBER | BESKRIVELSE | DESCRIPTION |
|-----|-----|------------|------------------------|-------------|
| 1 | 1 | 443558 | KARBURATOR | CARBURETOR |
| 2 | 1 | 428816 | PAKNING VED INSOLATOR | GASKET |
| 3 | 1 | 428817 | INSOLATOR | INSULATOR |
| 4 | 1 | 428818 | PAKNING FOR KARBURATOR | GASKET |
| 5 | 1 | 428819 | PAKNING FOR LUFTFILTER | GASKET |



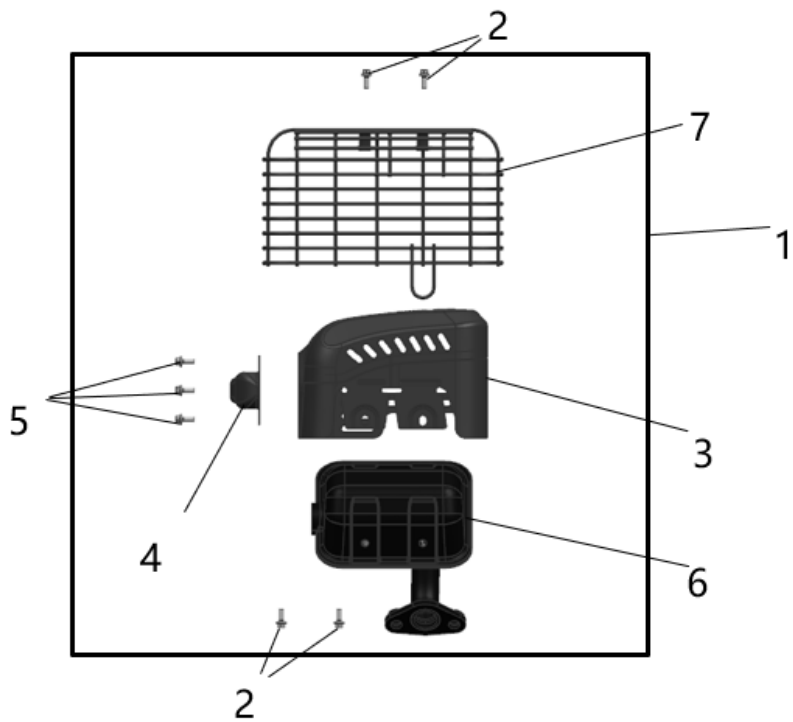
| POS | QTY | PARTNUMBER | BESKRIVELSE | DESCRIPTION |
|-----|-----|------------|--|-------------------|
| 1 | 1 | 428820 | TÆNDSPOLE KOMPLET MED TÆNDRØRSHÆTTE | IGNITION COIL |
| 5 | 2 | 428821 | FLANGEBOLT M6X30 | COLLAR BOLT M6X30 |
| 6 | 1 | 428822 | SVINGHJUL | FLYWHEEL |
| 7 | 1 | 428823 | BLÆSEHJUL | FAN |
| 8 | 1 | 428824 | STARTTRISSE | STARTER SPOOL |
| 9 | 1 | 428825 | MØTRIK SPECIEL | NUT |



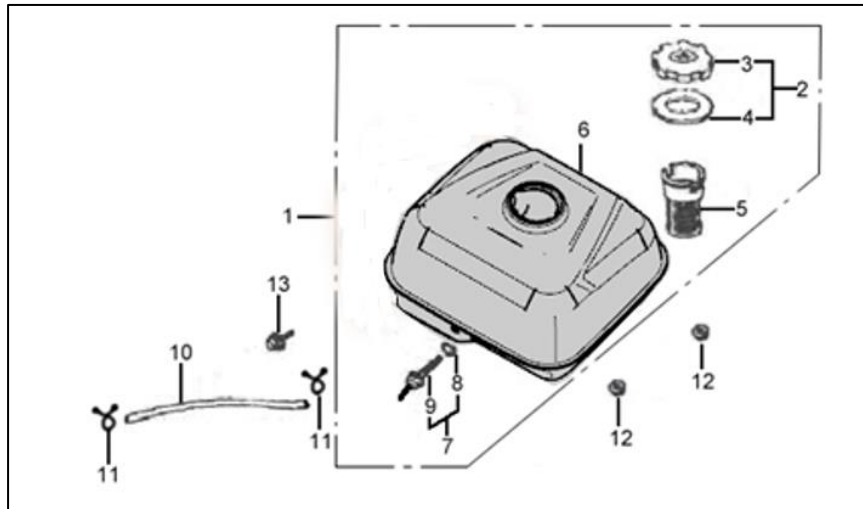
| POS | QTY | PARTNUMBER | BESKRIVELSE | DESCRIPTION |
|-----|-----|------------|--|------------------------|
| 1 | 2 | 428813 | FLANGEBOLT M6X8 | COLLAR BOLT M6X8 |
| 2 | 1 | 428826 | FJEDER FOR REGULATOR | SPRING |
| 3 | 1 | 428827 | BOLT FOR REGULATOR ARM | BOLT |
| 4 | 1 | 428828 | REGULATORARM | REGULATOR LEVER |
| 5 | 1 | 428805 | FLANGEBOLT M6X8 | COLLAR BOLT M6X8 |
| 6 | 1 | 443619 | REGULATORFJEDER | SPRING THROTTLE RETURN |
| 7 | 1 | 428830 | FORBINDELSSESSTANG FOR REGULATORARM | FILLING ROD |
| 8 | 1 | 428832 | REGULATOR | REGULATOR |



| POS | QTY | PARTNUMBER | BESKRIVELSE | DESCRIPTION |
|-----|-----|------------|--------------------|-----------------------------------|
| 1 | 1 | 442933 | LUFTFILTER KPL. | AIR FILTER ASSY/C-TYPE |
| 2 | 1 | 443559 | LUFTFILTER BASE | BOTTOM SEAT OF AIR CLEANER/C TYPE |
| 3 | 1 | 443560 | PAKNING LUFTFILTER | O-RING SEAL/C TYPE |
| 4 | 1 | 442934 | LUFTFILTER ELEMENT | FILTER ELEMENT/C TYPE |
| 5 | 1 | 443561 | LUFTFILTER BASE | AIR CLEANER COVER/C TYPE |
| 6 | 1 | 443562 | VINGEMØTRIK M6 | M6 NUT/C TYPE |



| POS | QTY | PARTNUMBER | BESKRIVELSE | DESCRIPTION |
|-----|-----|------------|-------------------------------|--------------------|
| 1 | 1 | 442932 | UDSTØDNING KPL. | MUFFLER ASSY |
| 2 | 4 | 443563 | BOLT M6X10 | BOLT M6X10 |
| 3 | 1 | 443564 | VARMESKJOLD FOR UDSTØDNING | MUFFLER COVER |
| 4 | 1 | 443565 | RØGVENDER | DIRECTION PIPE |
| 5 | 3 | 443566 | SKRUE SELVSKÆRENDE | SELF TAPPING SCREW |
| 6 | 1 | 443567 | UDSTØDNINGSRØR | MUFFLER BODY |
| 7 | 1 | 443568 | GITTER FOR UDSTØDNING | ANTI-HOT COVER |



| POS | QTY | PARTNUMBER | BESKRIVELSE | DESCRIPTION |
|-----|-----|------------|----------------------------------|--------------------|
| 1 | 1 | 442935 | BRÆNDSTOFTANK KPL. | FUEL TANK ASSY |
| 2 | 1 | 442936 | TANKLÅG KPL. | FUEL TANK CAP ASSY |
| 3 | 1 | 443569 | TANKLÅG U/PAKNING | FUEL TANK CAP |
| 4 | 1 | 428842 | PAKNING | TANK LID |
| 5 | 1 | 428843 | PAKNING FOR TANKLÅG | GASKET |
| 6 | 1 | 443570 | BRÆNDSTOFTANK | FUEL TANK BODY |
| 7 | 1 | 428845 | SLANGESTUDS KOMPLET M/PAKNING | FUEL TANK |
| 8 | 1 | 428846 | PAKNING SLANGESTUDS | GASKET |
| 9 | 1 | 428847 | SLANGESTUDS | HOSE CONNECTION |
| 10 | 1 | 428848 | BRÆNDSTOFSLANGE | FUEL HOSE |
| 11 | 2 | 428849 | KLEMME FOR BRÆNDSTOFSLANGE | CLAMP |
| 12 | 2 | 428805 | FLANGEBOLT M6X8 | COLLAR BOLT M6X8 |
| 13 | 1 | 428850 | FLANGEBOLT M6X28 | COLLAR BOLT M6X28 |