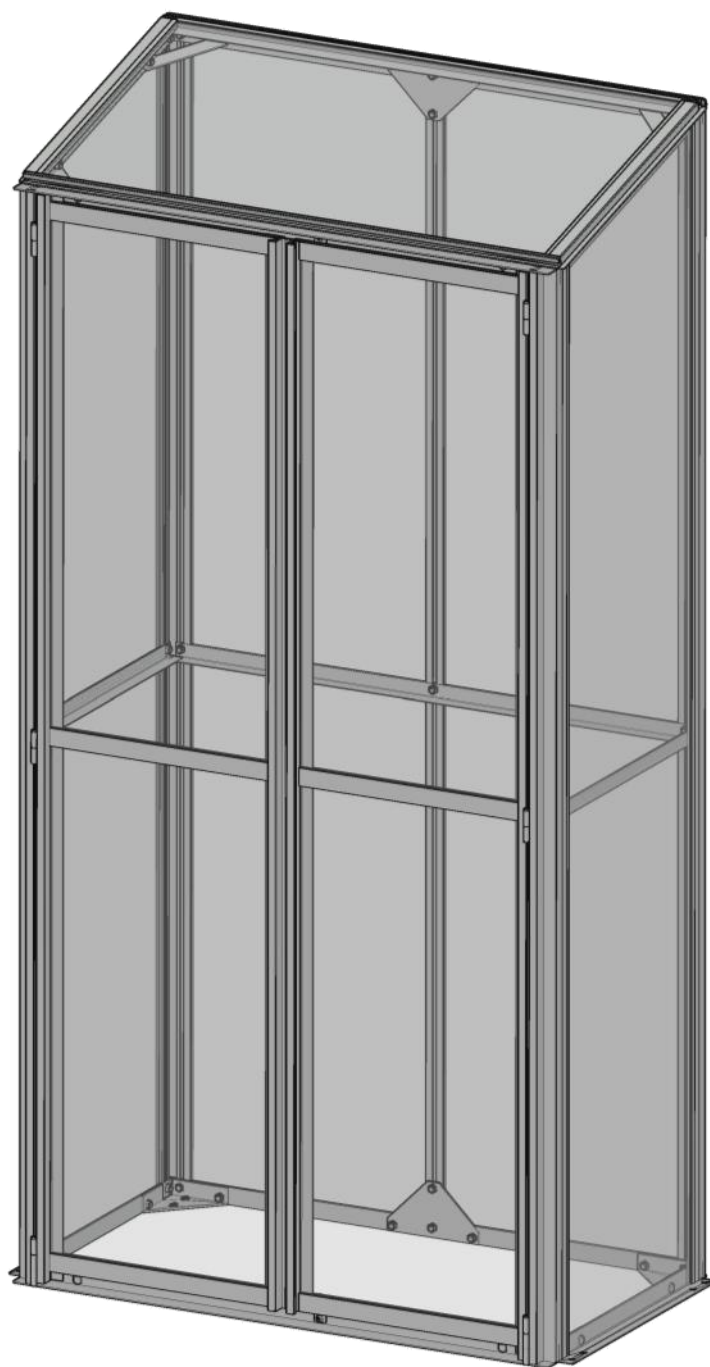


# UB Series Greenhouse

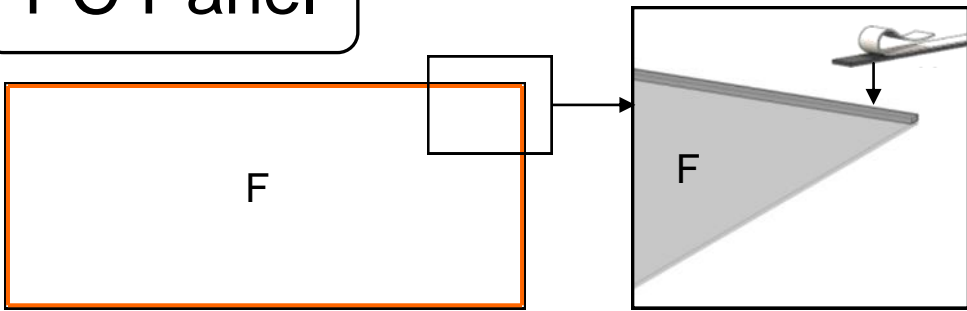
## Assembly instructions



**Model UB215**

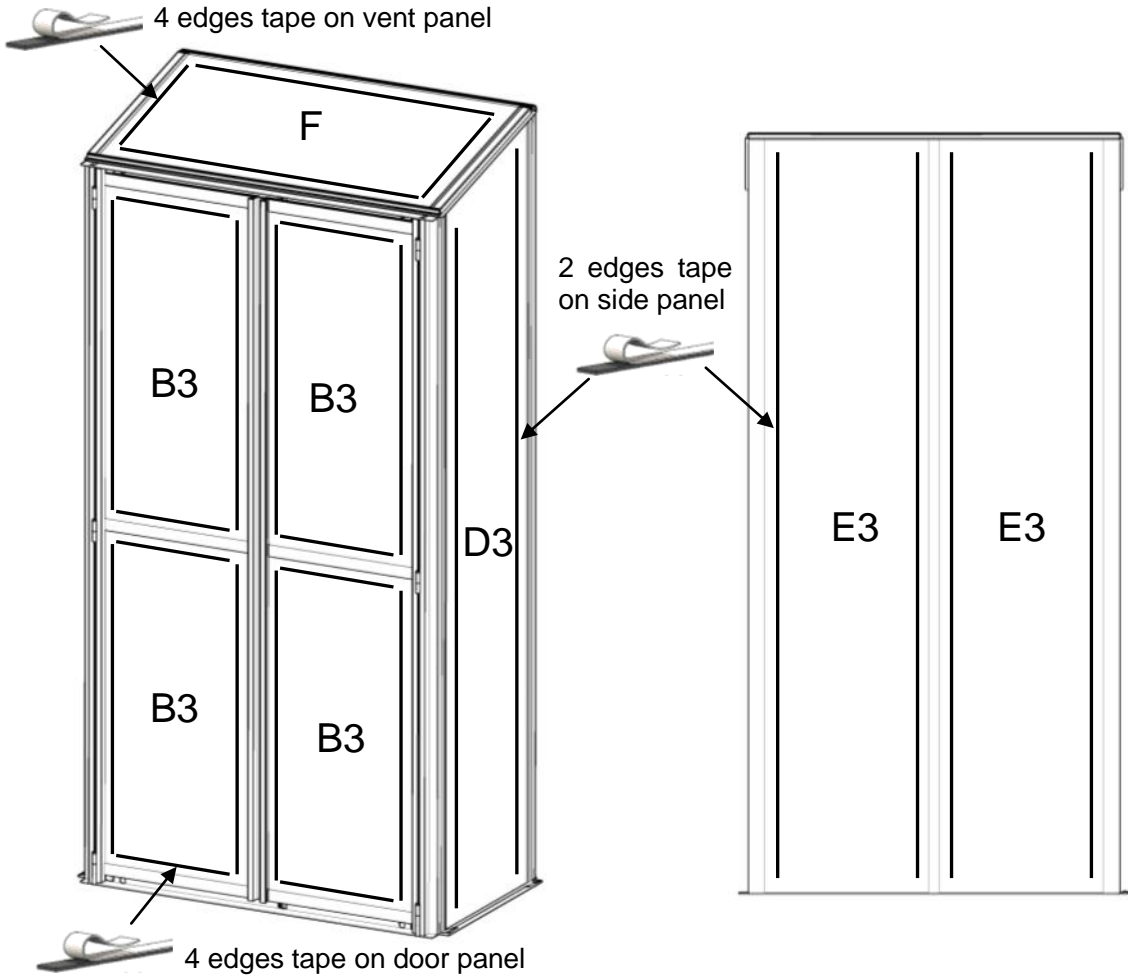
Size: 766x415x1403/1513MM

# PC Panel



Note: According to the following illustration, attach the single-sided adhesive tape on the corresponding edges of the PC panel first, and then insert it into the channel of the aluminum profile (the single-sided adhesive tape facing the inside of the greenhouse)

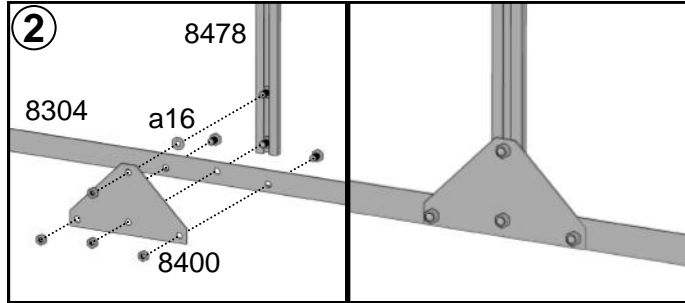
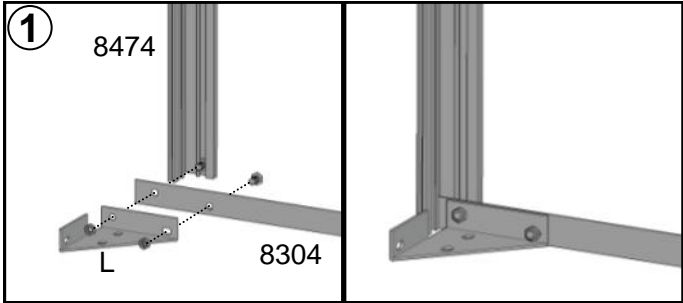
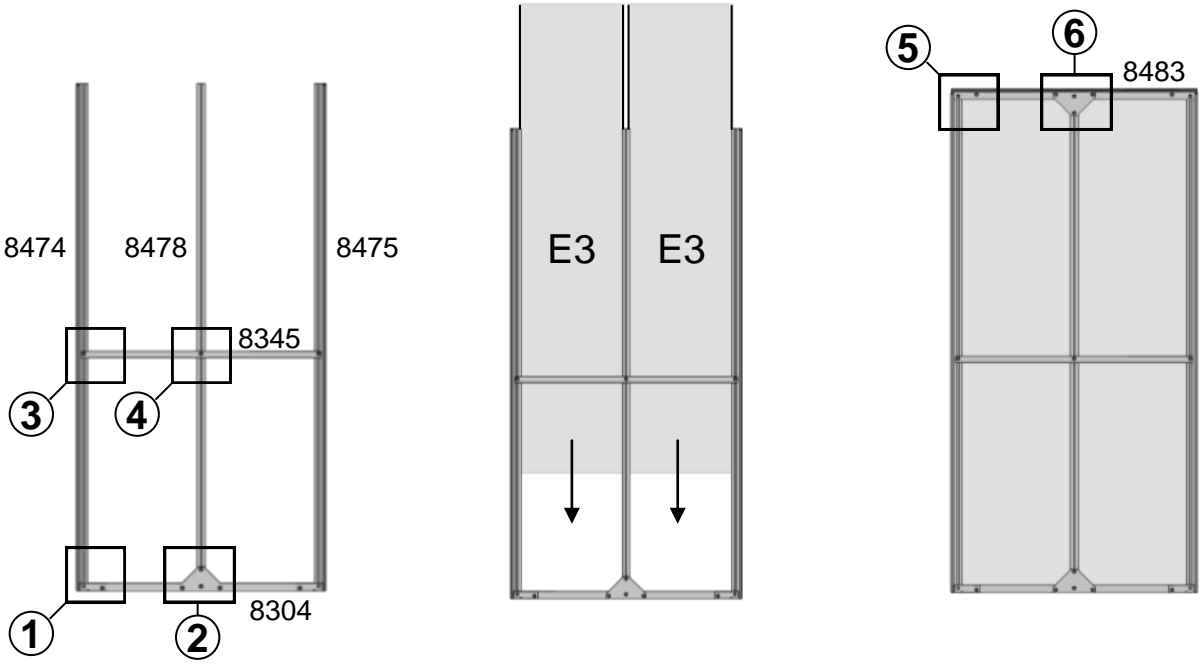
Remove approximately 1 inch of film from all sheet edges before installing. Remove all film immediately after the constructions is completed.



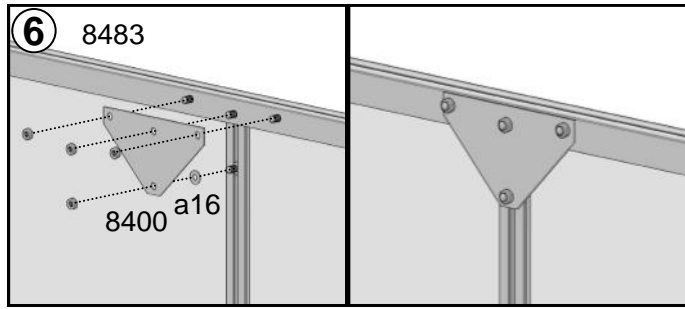
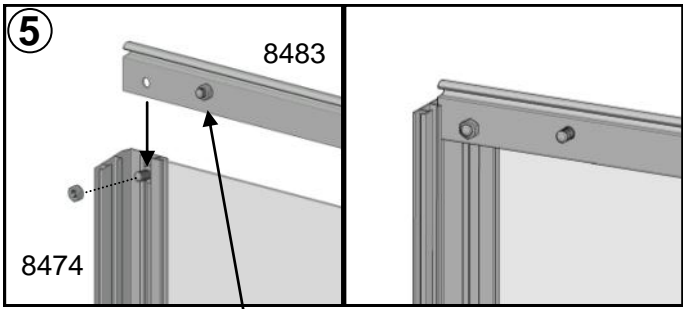
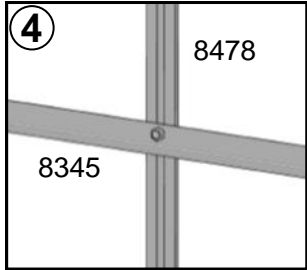
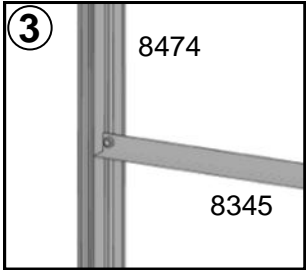
#	Size	UB215
D3	335 x 1404 / 1494	2
E3	335 x 1499	2
B3	317 x 661	4
F	380 x 706	1
	5 meters	5

# Rear

#	8474	8475	8304	8483	8478	8345	L	R	8400	a1	a2	a16
Size	1500	1500	736	736	1500	710	-	-	-	M6x10	M6	-
QTY	1	1	1	1	1	1	1	1	2	19	19	2










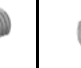









★ Washer a16 balances the connecting plate #8400

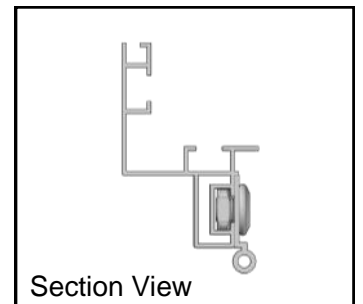
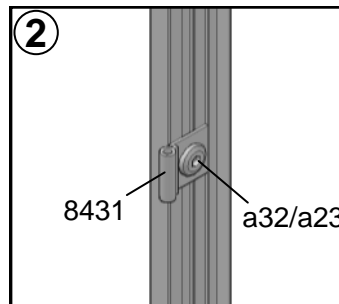
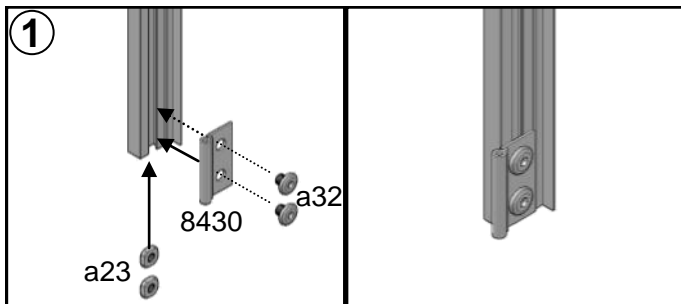
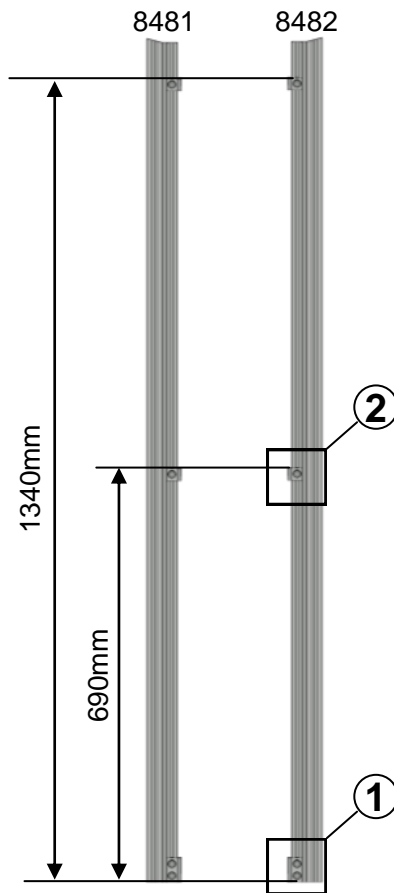


bolt in advance for brace #8432 later

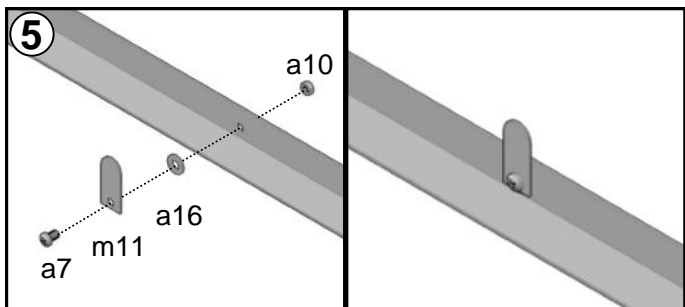
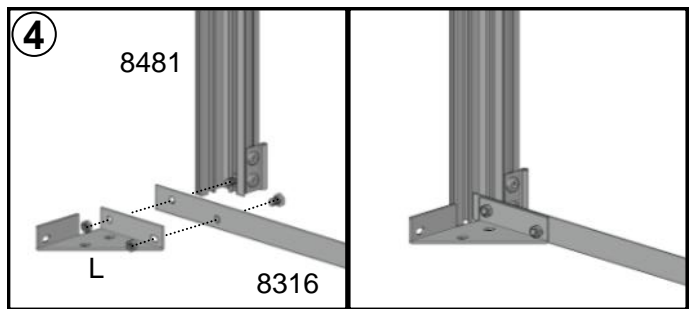
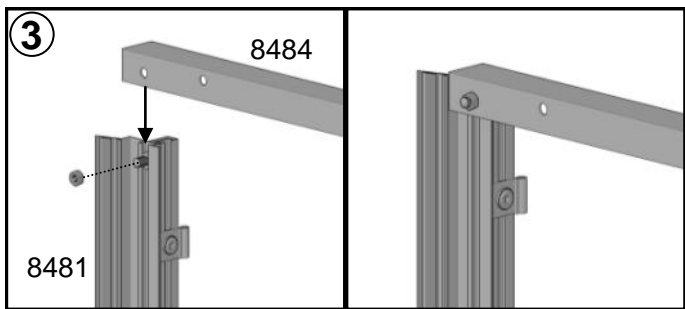
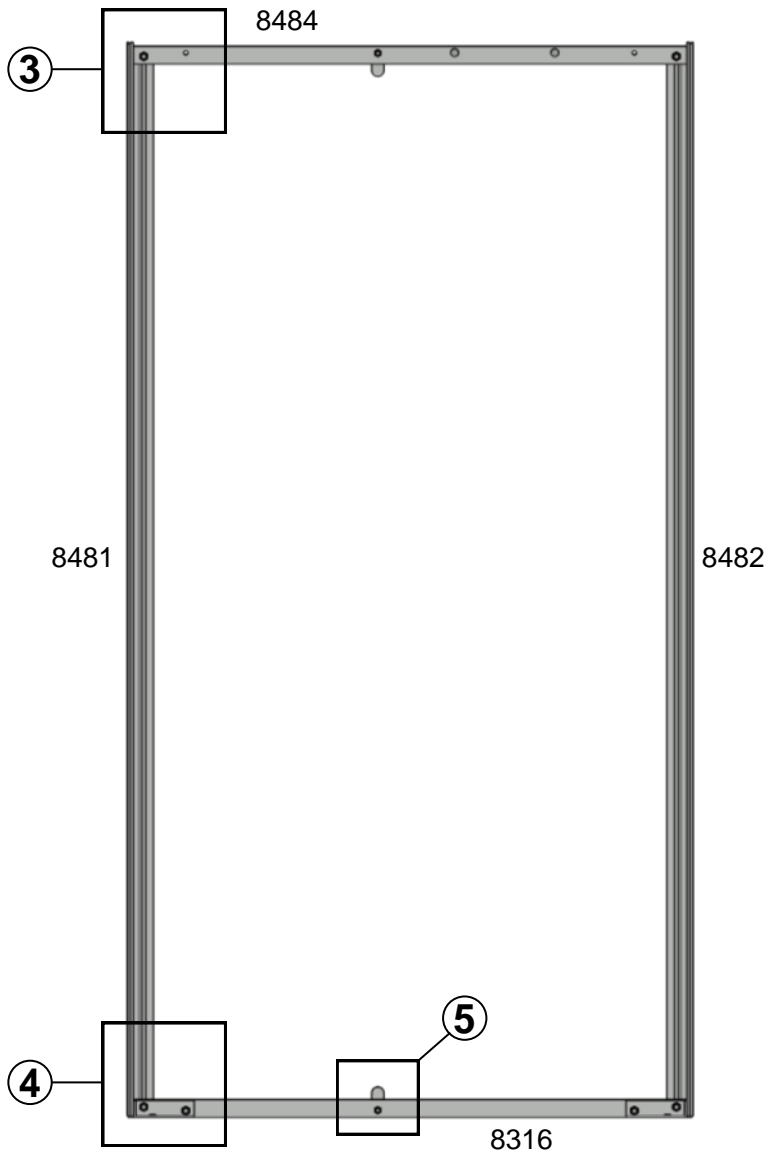
# Front

											
#	8481	8482	8484	8316	L	R	8430	8431	m11	a1	a2
Size	1406.5	1406.5	736	736	-	-	40	20	-	M6x10	M6
QTY	1	1	1	1	1	1	2	4	2	6	6

						
#	a32	a23	a7	a10	a16	Hex key
Size	M6x6	M6	M4x8	M4	-	-
QTY	8	8	2	2	2	1

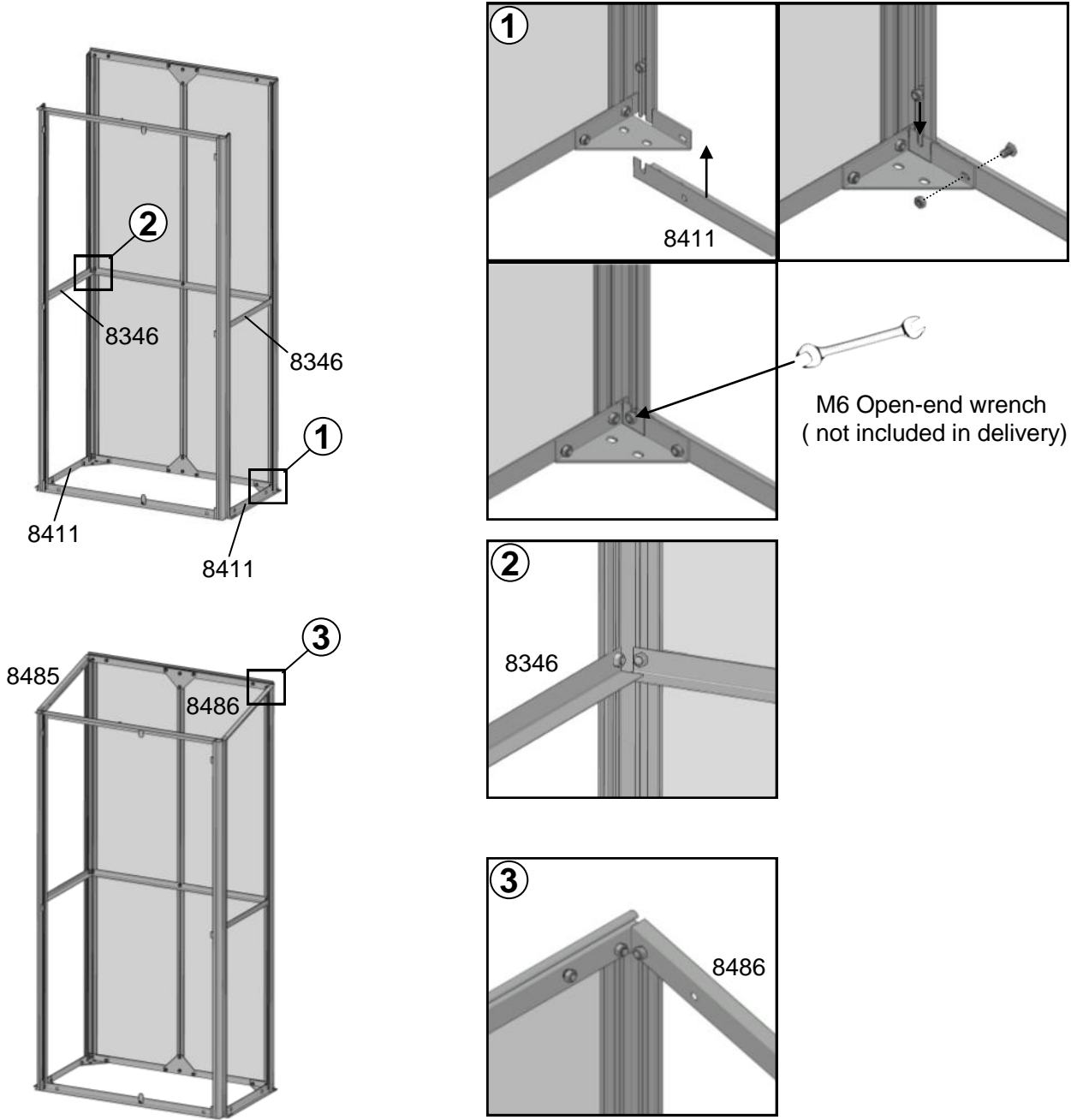


# Front








# Side

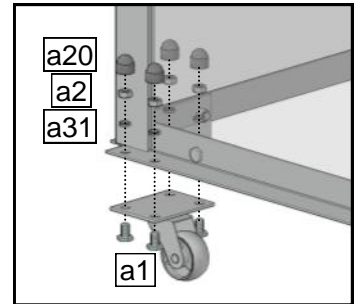
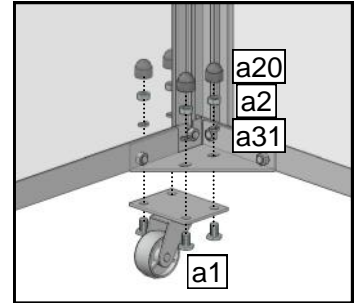
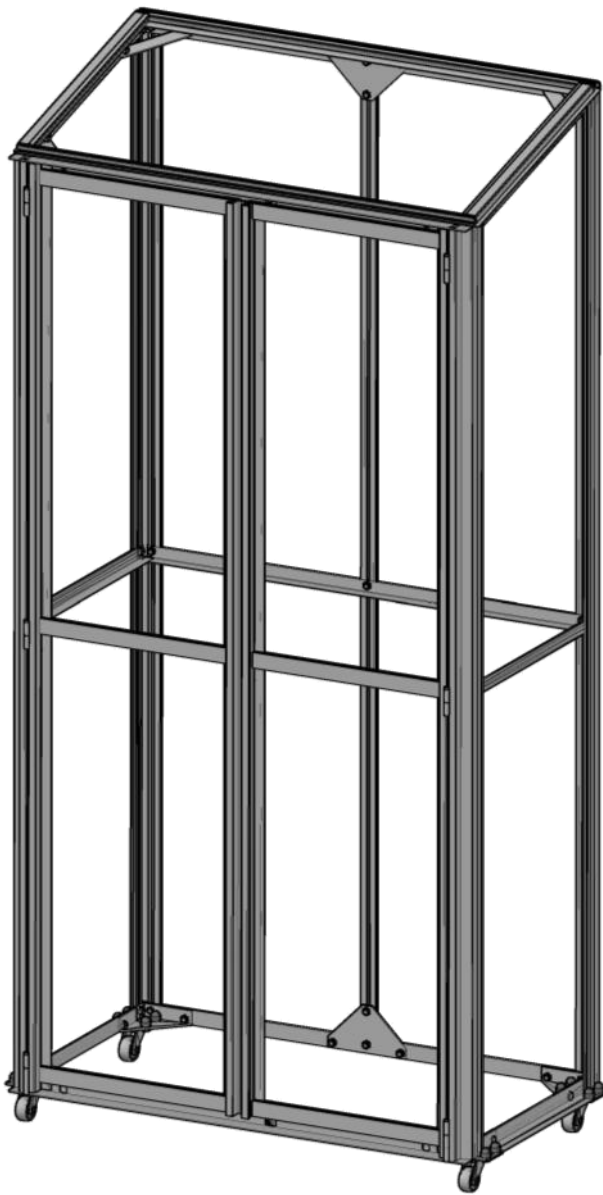
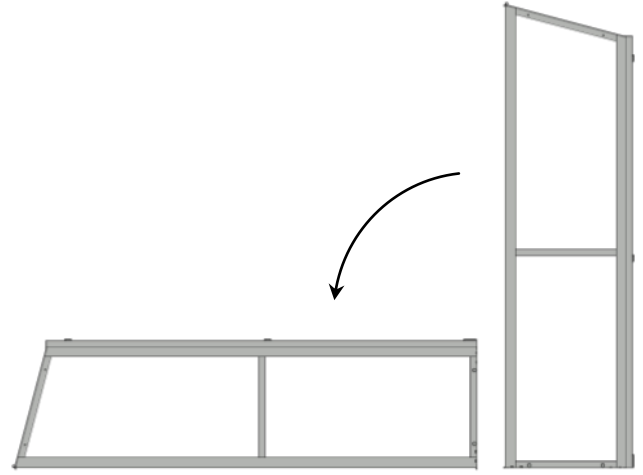
#	8485	8486	8411	8346	8432	a1	a2
Size	392	392	372	362	107	M6x10	M6
QTY	1	1	2	2	4	22	22



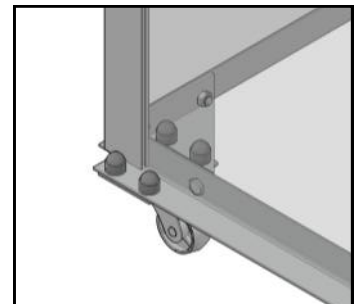
When installing the side walls, do not install the PC board first. Instead, install the side wall frame first. This will facilitate the installation of the subsequent options such as wheels, aluminum slats or seed trays. After all these options are installed, remove the upper side wall frame #8485 & #8486, then insert the PC board, and finally re-fix the upper side wall frame #8485 & #8486.

# Option 1 Wheel


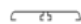


					
#		a1	a2	a31	a20
Size	-	M6x10	M6	-	-
QTY	4	16	16	16	16

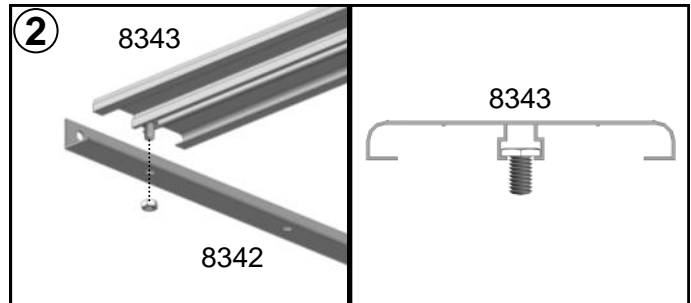
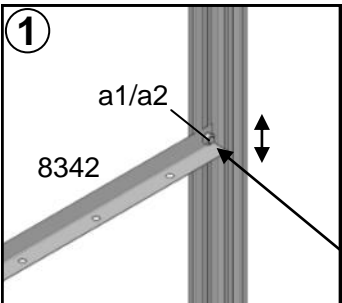
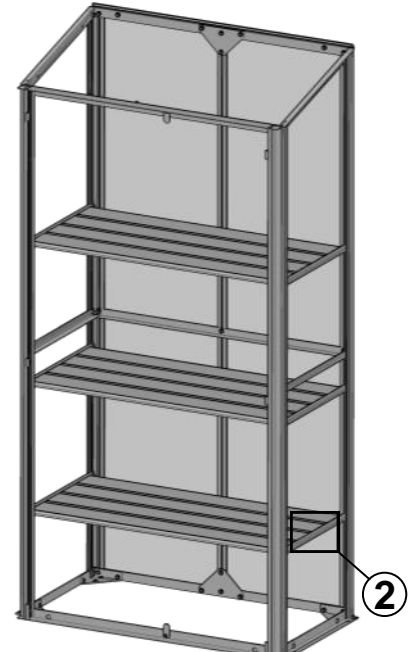
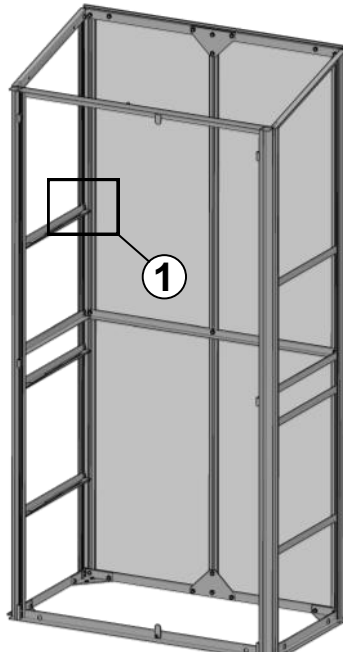
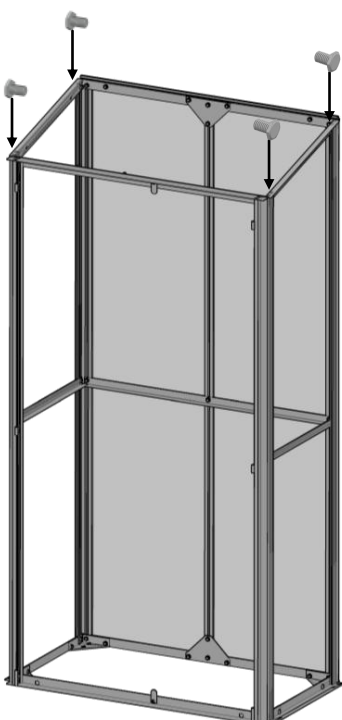
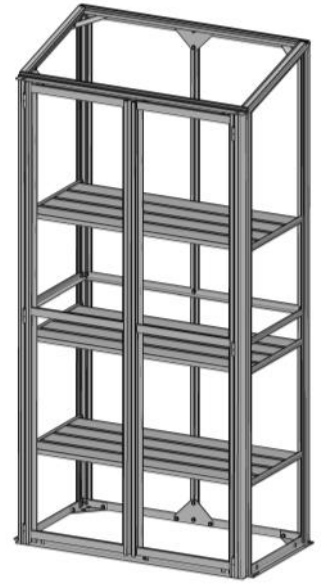


Spring washer a31 prevents nut from loosening







# Option 2 Staging

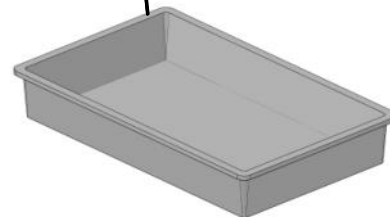
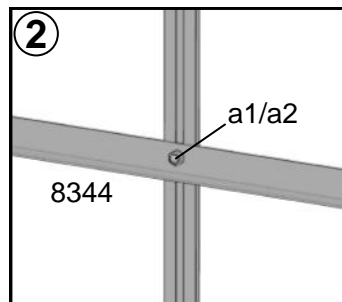
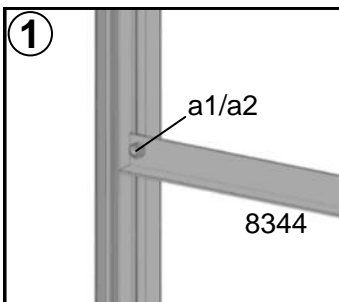
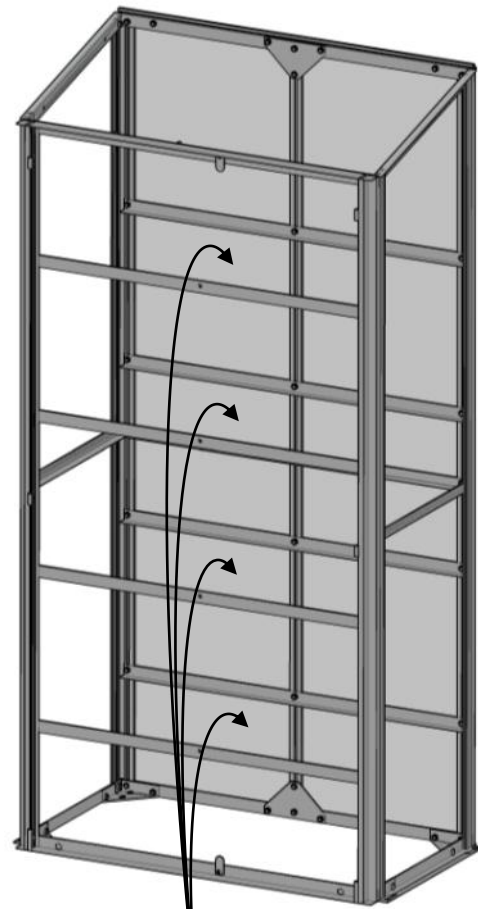
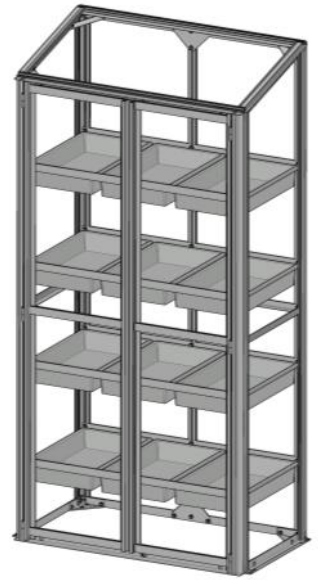
				
#	8342	8343	a1	a2
Size	362	720	M6x10	M6
UB215	6	12	36	36



M6 Socket wrench  
(not included in delivery)

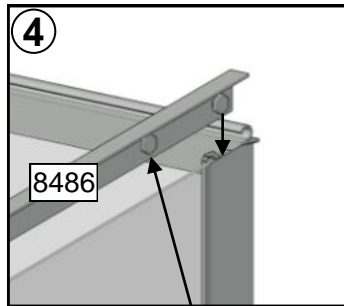
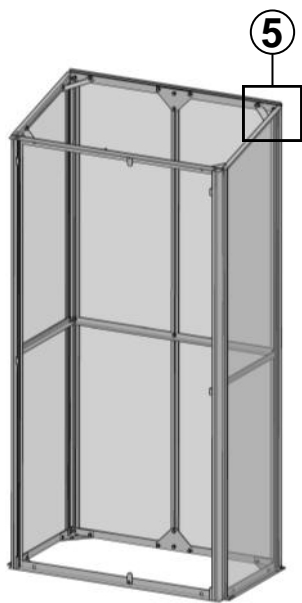
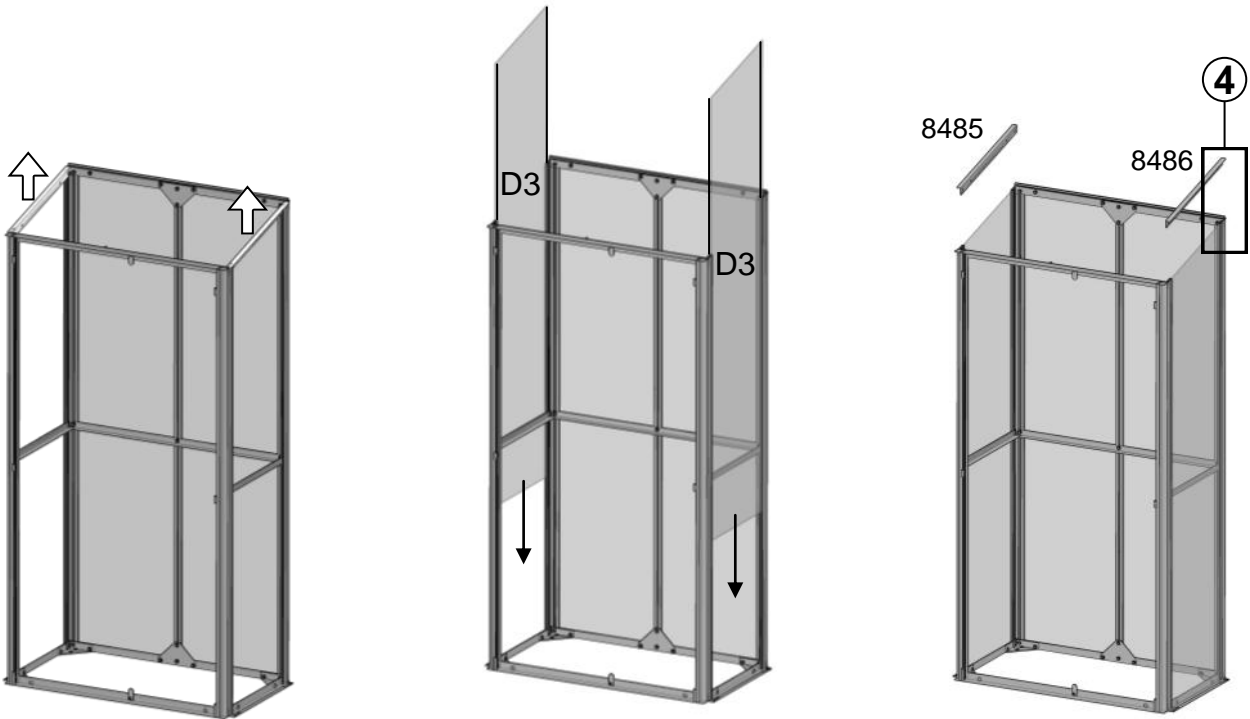
# Option 3 Seed tray

				
#		8344	a1	a2
Size		710	M6x10	M60
UB215	12	8	20	20

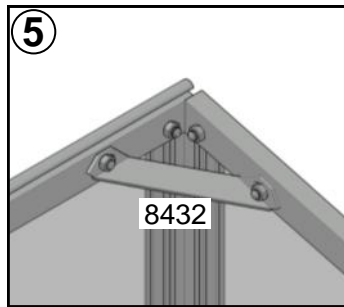


Seed trays are put on each floor

# Side

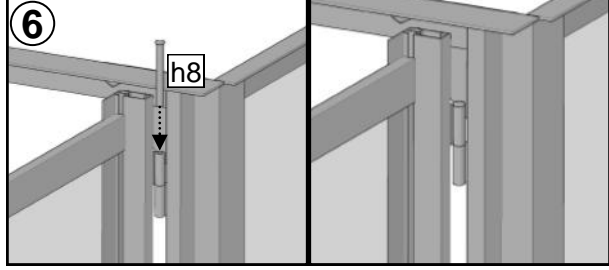
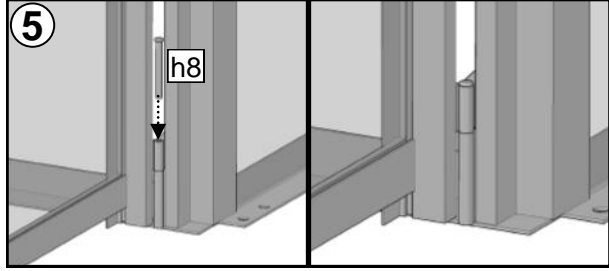
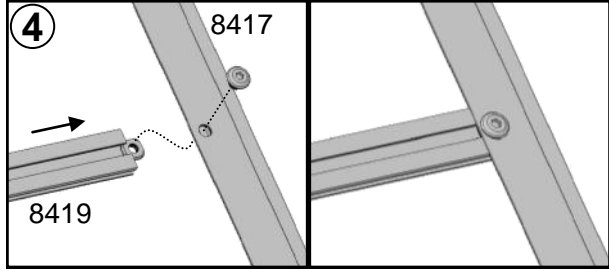
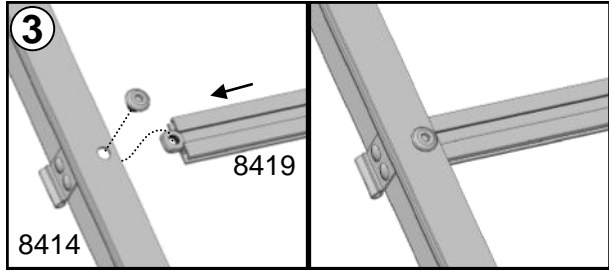
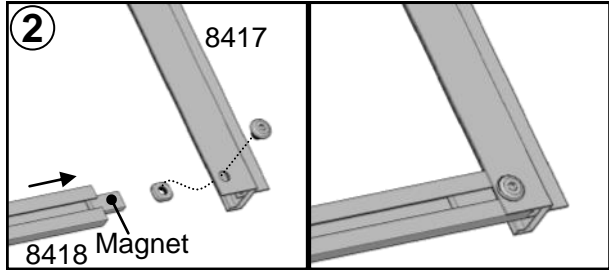
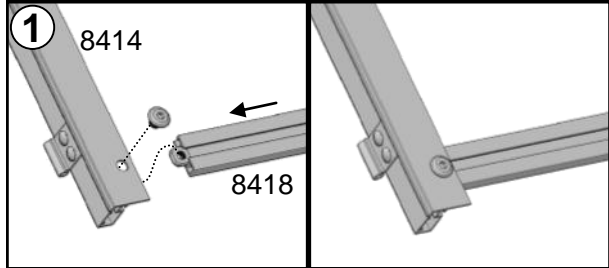
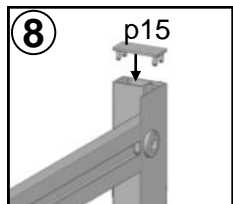
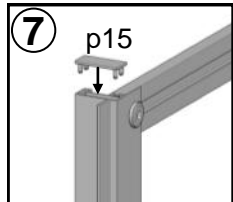
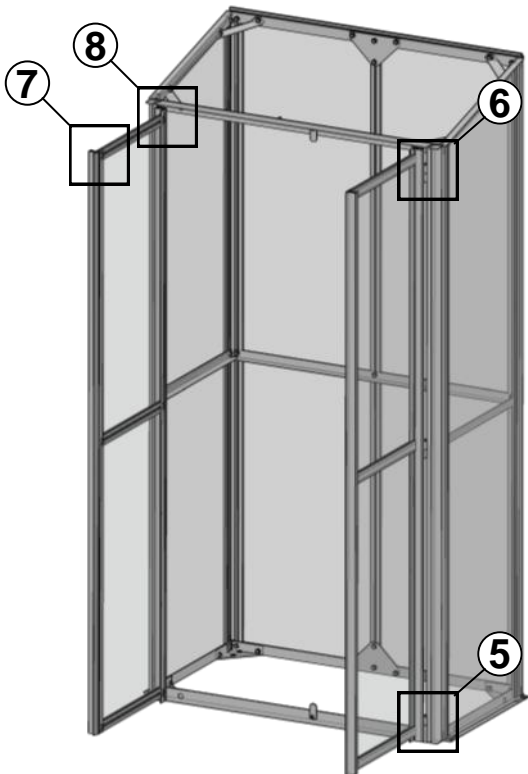
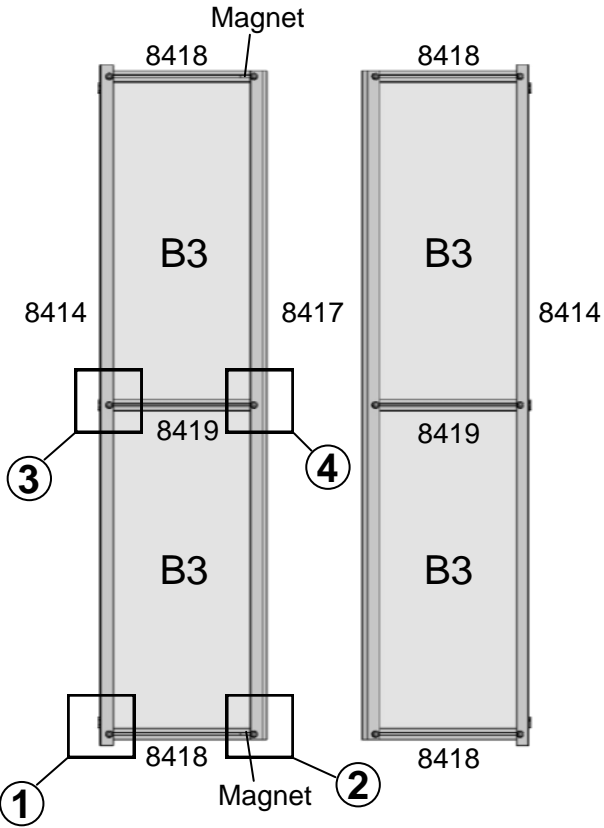


bolt in advance for brace #8432 later



# Door

#	8414	8417	8419	8418	a32	a23	Magnet	h8	p15
Size	1394	1370	309	309	M6x6	M6	-	-	-
QTY	2	2	2	4	12	12	2	6	4



# Vent

#	8420	8487	8488	8081	a32	a23	a12	a7	a10
Size	737	372	737	260	M6x6	M6	Φ4.2X9.5	M4x8	M4
QTY	1	2	1	1	4	4	2	2	2

