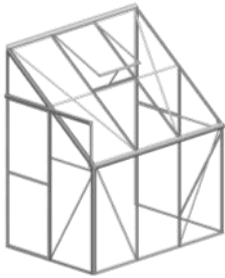
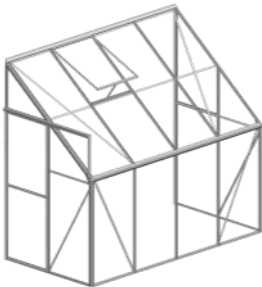


LSD series greenhouse

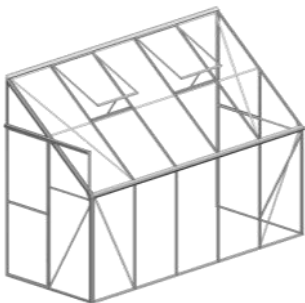
Assembly instructions



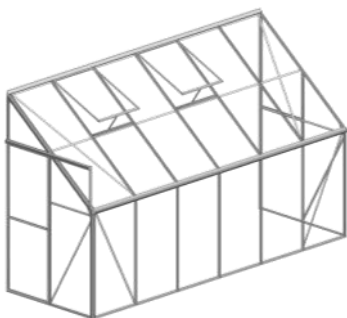
Model LSD406



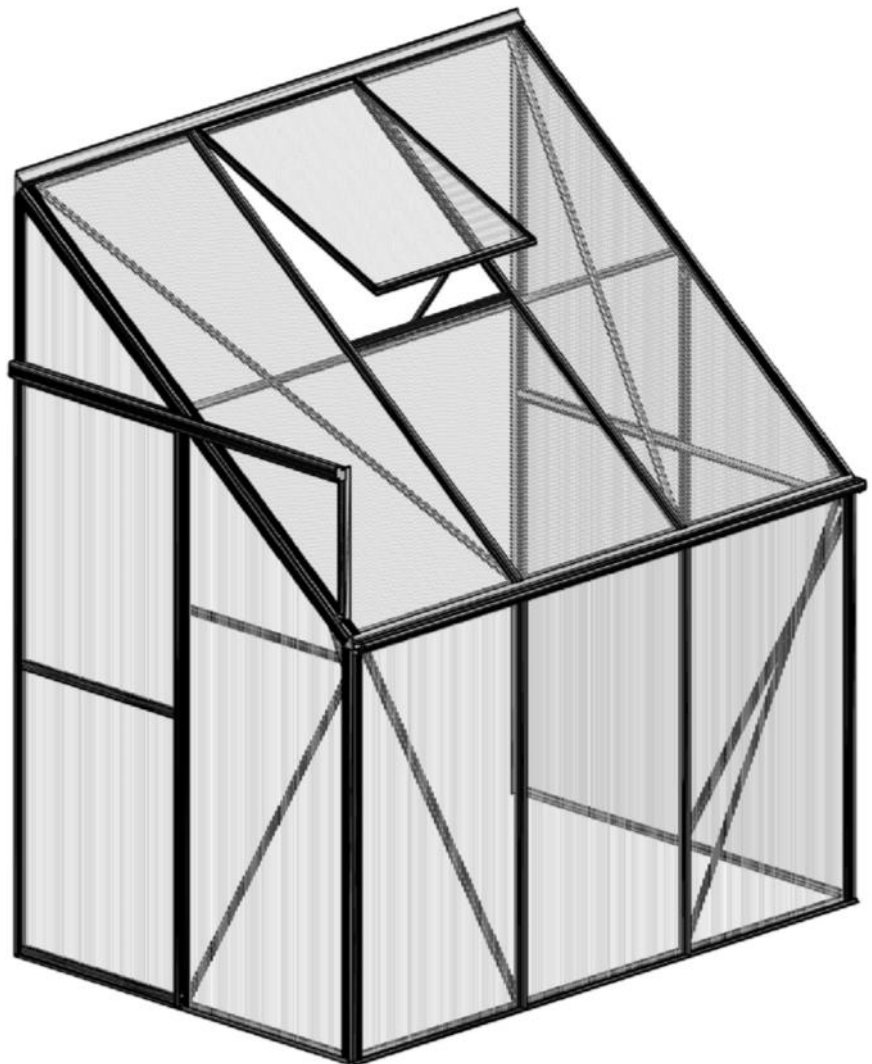
Model LSD408



Model LSD410



Model LSD412



Walk-in Greenhouse

Statement

Dear Customer!

May we congratulate you on your new Greenhouse.

We feel sure that by following the detailed assembly instructions you will find as much pleasure in actually building the greenhouse as the time you will spend in your greenhouse in the future.

The assembly instructions mainly consist of detailed illustrations and no specific technical knowledge is required for the assembly of the greenhouse. The house is packed in one carton and contains all of the sheets of polycarbonate, frames and fittings, excluding the base.

All of the aluminum profiles are marked with a part number corresponding to the numbers given on the drawings and in the parts list. Nuts, bolts and fittings will be found in the relevant package.

All of the rear gable section frames are in package No.1

All of the front gable section frames are in package No.2

All of the side wall section frames are in package No.3

All of the roof section frames are in packing No.4

All of the frames and components for the window are in package No.5

All of the frames and components for the door are in package No.6

The sheets of Polycarbonate are not marked with a part number, but the sizes appear in the overview.

When fitting the Polycarbonate, the side with the opal film/text must turn outward.

Accessories

We offer a wide range of accessories which contribute to a better yield and make life easier for the gardener. A selection of the range is shown in the supplements to these instructions. Your dealer will be pleased to assist you with further information and a special brochure.

Winter Protection

In areas where snow might be expected we recommend the following in order to protect your greenhouse:

- 1.Support the ridge at the center of the greenhouse.
- 2.Removed larger snow loads.
- 3.Take precautions against snow falling down, for instance from a roof.

Complaints

We put severe demands on quality to secure that you get a faultless product. However, should a problem occur, we kindly ask you to contact the dealer from whom you have bought the greenhouse. For a quick service, you should specify the extent of the defect by means of the parts list in the assembly instructions. Please also note the model number which is stamped on the front page of these instructions.

Insurance

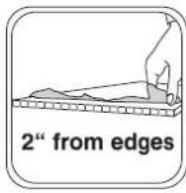
Not all insurance companies automatically cover greenhouses. We recommend you contact your insurance company to ensure that you are covered.

Foundation

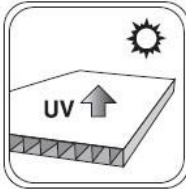
The base is not included in this delivery. However, we do recommend you buy our origin base easy to build.

The base is maintenance free and, of course all fittings are included. Remember to order concrete pipes and concrete at your local dealer as these are not included in the delivery.

Cautions



Remove approximately 2 inches of film from all sheet edges before installing. Remove all film immediately after the construction is completed.



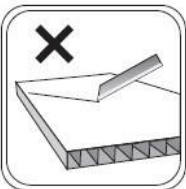
The UV-protected side of the sheet is covered with opal white film and must face towards the sun.



Please put on gloves avoid slitting your hands.



Handle with care! Dropping can bend the frame, and it won't fit properly.



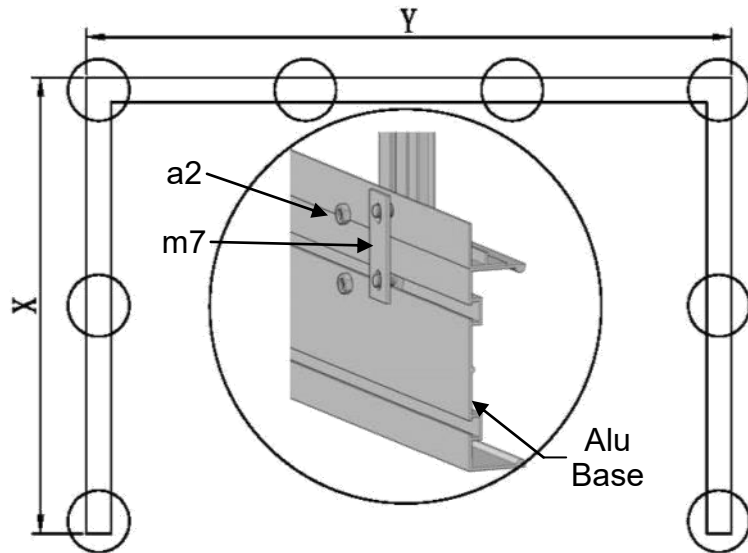
Keep sharp instruments away from the polycarbonate sheets.

Tips

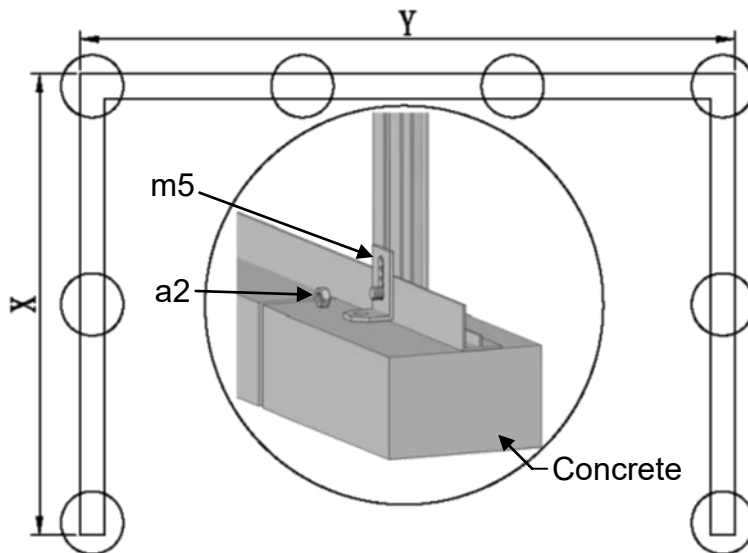
1. The base has to be fastened in a non-freezing depth(80cm).
2. The greenhouse is to be fastened to the base.
3. The base has to be 100% level and square. The easiest way to ensure this is to make sure that the two diagonal measurements are identical.
4. We recommend that you grease screws for doors and windows for easier assembly.
5. Erection of the greenhouse should only take place in calm and dry weather.
6. All frames are to be assembled around the polycarbonate as shown on the drawings. We recommend that you start with the back gable.

Alu Base

Model	Gable	Side profiles	Anchor leg	Fixing tab	M6 Bolts	M6 Bolts (crop)	M6 Nuts	Washer
LSD406	2x1281	1x1904	2	8	8	8	16	4
LSD408	2x1281	1x2530	2	9	8	9	17	4
LSD410	2x1281	1x3156	2	10	8	10	18	4
LSD412	2x1281	1x3782	2	11	8	11	19	4



#	m7
LSD406	8
LSD408	9
LSD410	10
LSD412	11



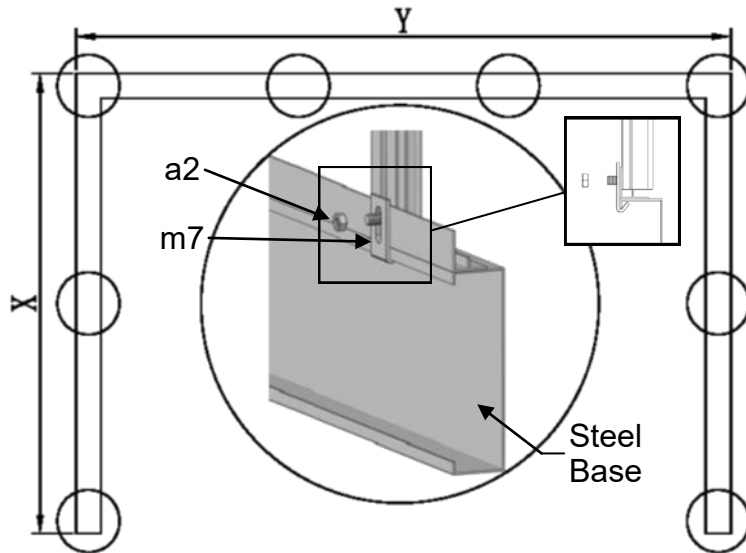
#	m5
LSD406	8
LSD408	9
LSD410	10
LSD412	11

	X	Y
LSD406	1311	1964
LSD408	1311	2590
LSD410	1311	3216
LSD412	1311	3842

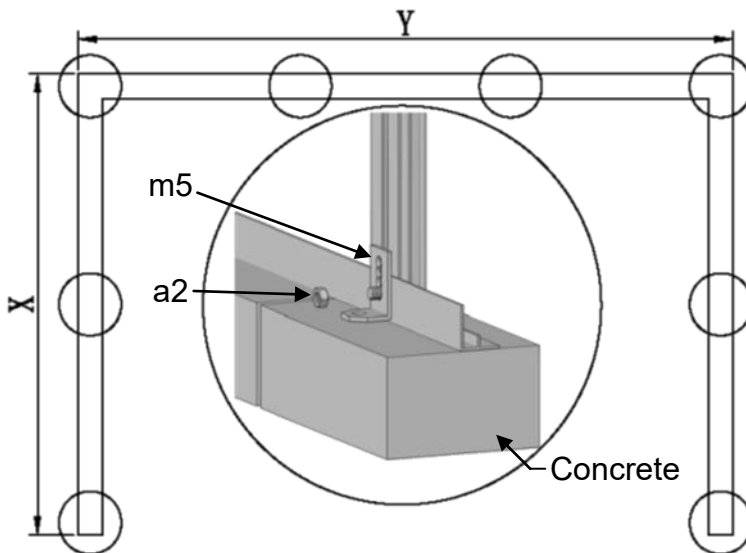
	X	Y
LSD406	4'4"	6'5"
LSD408	4'4"	8'6"
LSD410	4'4"	10'7"
LSD412	4'4"	12'7"

Steel Base

Model	Gable	Side profiles	Anchor leg		Fixing tab	Bolts/Nuts	Connectors
			“L”	“U”			
LSD406	2x1311	1x1964	2	-	8	10	-
LSD408	2x1311	1x2590	2	-	9	10	-
LSD410	2x1311	1x3216	2	1	10	14	1
LSD412	2x1311	1x3842	2	1	11	14	1



#	m7
LSD406	8
LSD408	9
LSD410	10
LSD412	11

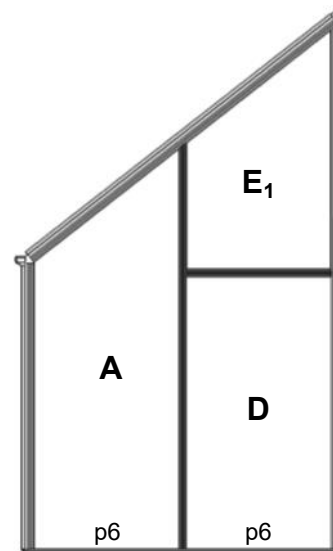
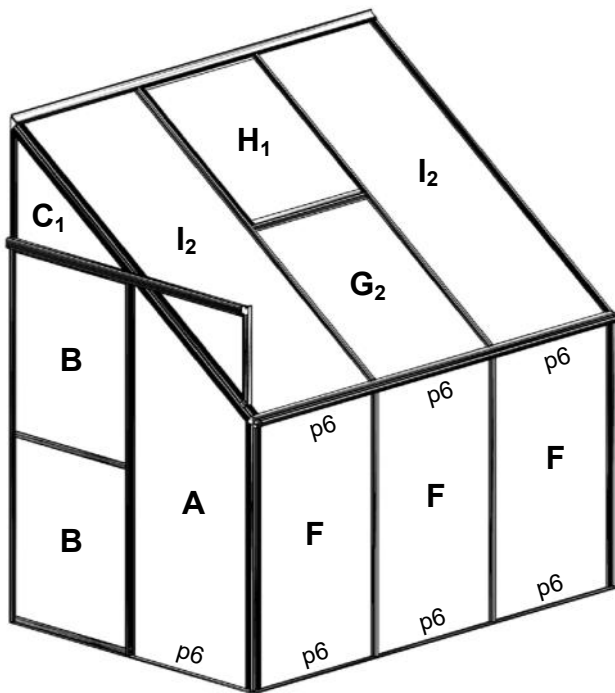


#	m5
LSD406	8
LSD408	9
LSD410	10
LSD412	11

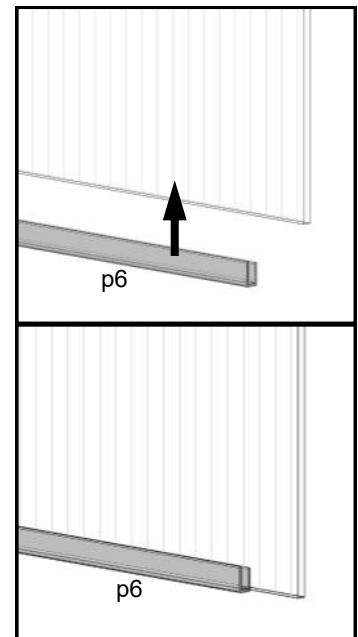
	X	Y
LSD406	1311	1964
LSD408	1311	2590
LSD410	1311	3216
LSD412	1311	3842

	X	Y
LSD406	4'4"	6'5"
LSD408	4'4"	8'6"
LSD410	4'4"	10'7"
LSD412	4'4"	12'7"

Polycarbonate sheet



#	Size	LSD406	LSD408	LSD410	LSD412
A	610x1190/1667	2	2	2	2
B	610x804	2	2	2	2
C ₁	602x470	1	1	1	1
D	610x1130	1	1	1	1
E ₁	610x533/1009	1	1	1	1
F	610x1175	3	4	5	6
G ₂	610x825	1	1	2	2
H ₁	606x731	1	1	2	2
I ₂	610x1609	2	3	3	4
p6	592	9	11	13	15



This page shows the positioning of the polycarbonate panels for the front and rear gable as well as the roof and the sides. It also indicates where the parts #p6 is used. When fitting parts #p6 on the ends of the panels, try using a narrow piece of bar soap through the part first. It will allow it to slide on much easier. #p6 must be fitted on both ends of polycarbonate in advance before polycarbonate be inserted into aluminum frame.

The square illustration on the page shows the placement of the gray plastic U shape strips. To transfer the size of the panels from mm to inches, divide by 25.4.

The list of the section

Section	Part No.	Profile	Size	LSD406	LSD408	LSD410	LSD412
R E A R	5201		1268			1	
	5002		1181			1	
	5004		1677			1	
	5007		594			1	
	5202		2166			1	
	5006		1276			1	
	5206		1268			1	
	5205		1591			1	
F R O N T	5207		1268			1	
	5002		1181			1	
	5012		1677			1	
	5203		2166			1	
	5006		1276			1	
	5011		642			1	
	5208		594			1	
	5618		1240			1	
5204		1591			1		
S I D E W A L L	5020		1918	1			
	5021		2544		1		
	5022		3170			1	
	5023		3796				1
	5026		1918	1			
	5027		2544		1		
	5028		3170			1	
	5029		3796				1
	5210		1918	1			
	5211		2544		1		
	5212		3170			1	
	5213		3796				1
	5037		1167	2	3	4	5
	5038		1311	2	2	2	2
R O O F	5847		1893	1			
	5848		2519		1		
	5849		3145			1	
	5850		3771				1
	5209		1591	2	3	4	5
	5214		1697	2	2	2	2
	5042		1918	1			
	5043		2544		1		
	5044		3170			1	
5045	3796					1	

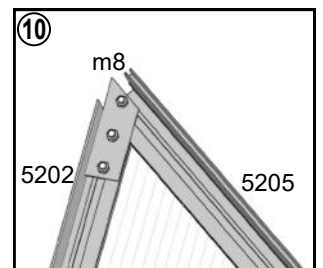
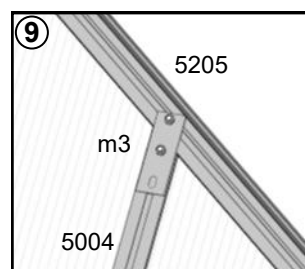
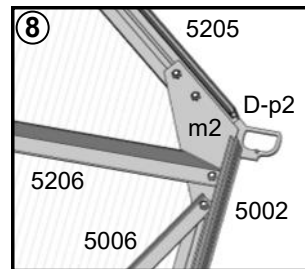
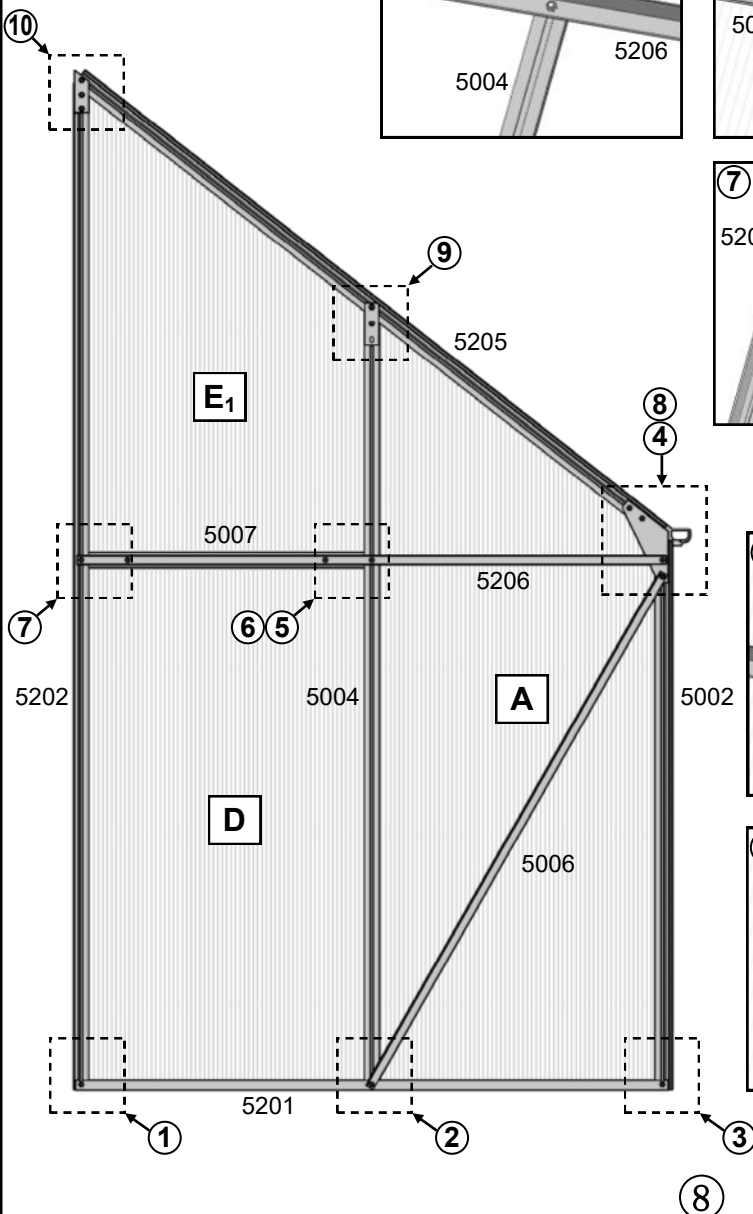
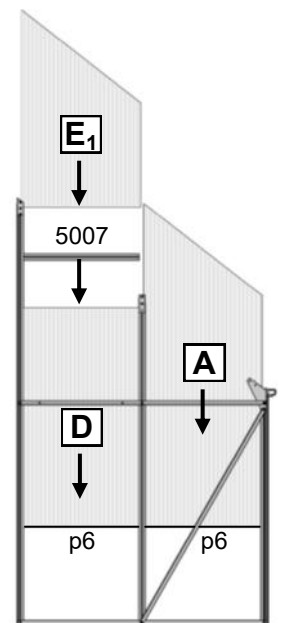
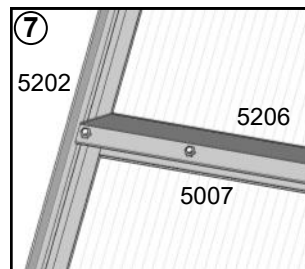
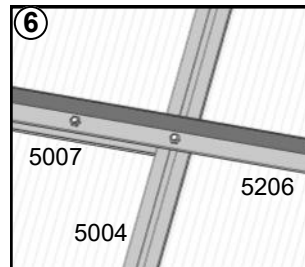
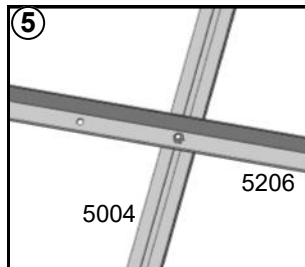
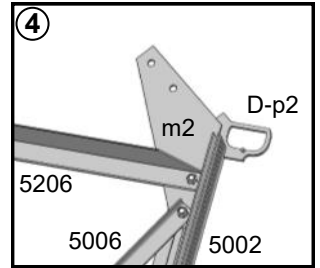
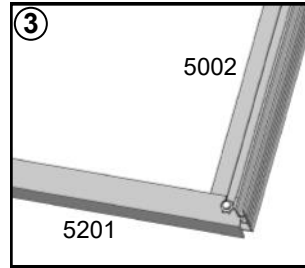
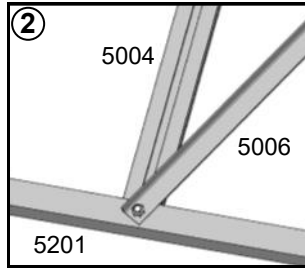
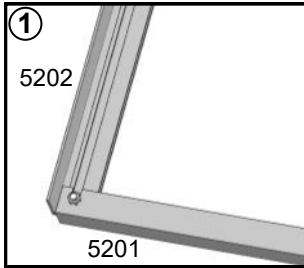
Section	Part No.	Profile	Size	LSD406	LSD408	LSD410	LSD412
D O O R	5063		1648			2	
	5062		600			2	
	5061		600			1	
	5066		426			1	
	5007		594	1	1	2	2
V E N T	5056		200	1	1	2	2
	5057		608	1	1	2	2
	5058		608	1	1	2	2
	5859		750	2	2	4	4
	5060		300	1	1	2	2

a1		M6x10	65	70	79	84
a2		M6	74	80	92	98
a3		M6x18	3	3	3	3
a4		Φ4.2x9.5	4	4	8	8
a5		Φ3.5x19	12	12	16	16
a6		Φ3.5x25	2	2	2	2
a7		Φ4x8	2	2	2	2
a8		M6x15	4	5	6	7
a9		M6x10 Crop	2	2	4	4
a13		Φ4x25	6	7	8	9
m2		-	2	2	2	2
m3		-	3	3	5	5
m4		-	2	2	2	2
m6		-	1	1	1	1
m8		-	2	2	2	2
D-p2		-	2	2	2	2
p3		-	2	2	4	4
p4		-	2	2	2	2
p5		-	2	2	2	2
p8		-	2	2	2	2
p9		-	6	7	8	9
n1		-	2	2	2	2
p6		592	9	11	13	15
FLUFF		1648	2	2	2	2

Rear Gable

Package No.1

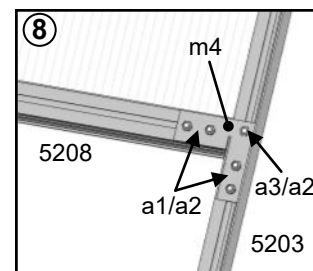
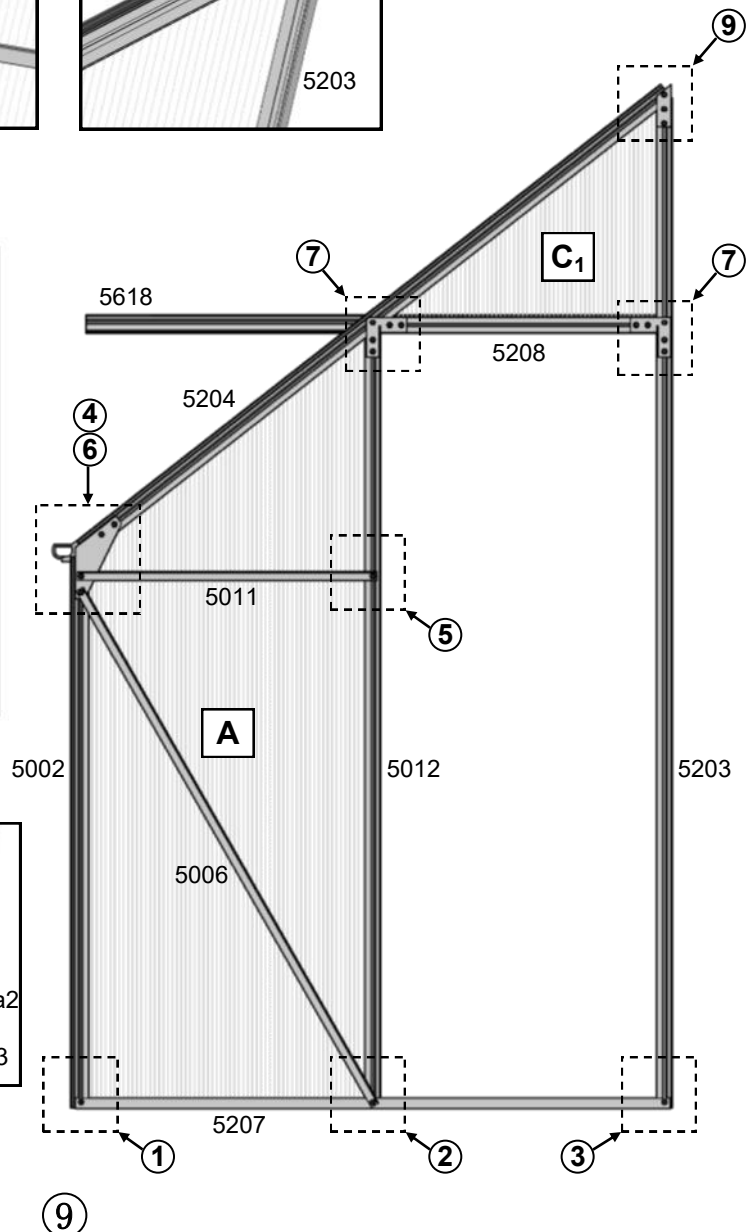
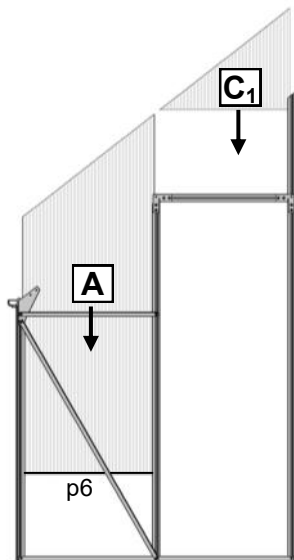
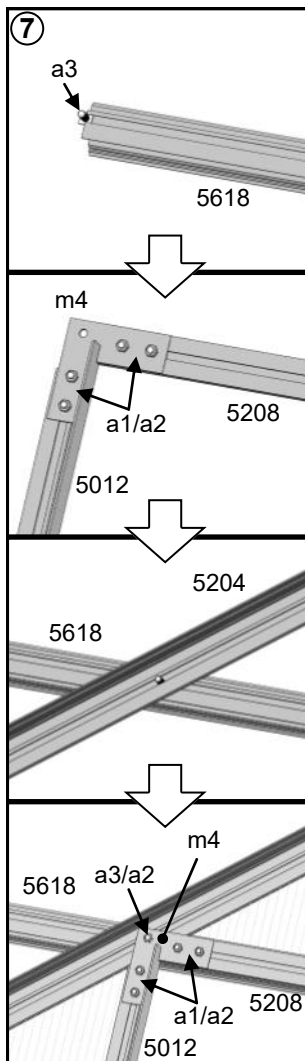
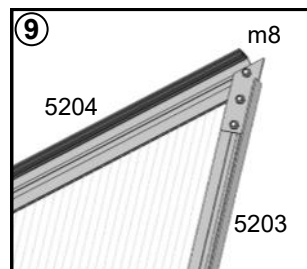
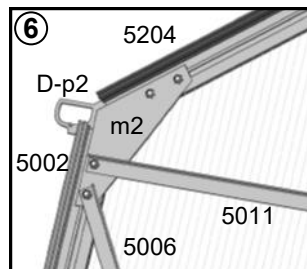
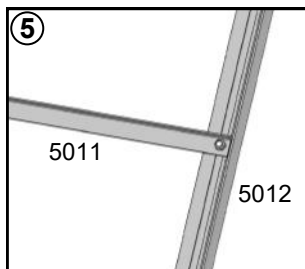
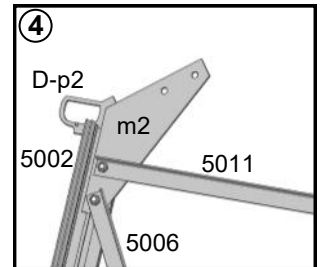
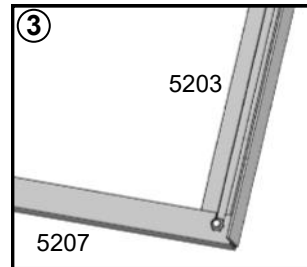
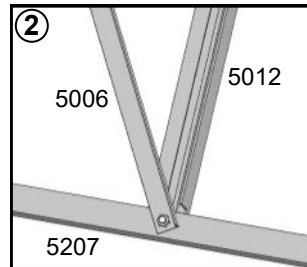
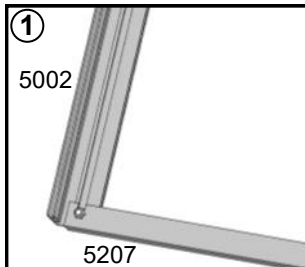
1																
#	5201	5002	5004	5007	5202	5006	5206	5205	a1	a2	p8	D-p2	m8	m2	m3	p6
mm	1268	1181	1677	594	2166	1276	1268	1591	M6x10	M6						592
QTY	1	1	1	1	1	1	1	1	16	16	1	1	1	1	1	2



Front Gable

Package No.2

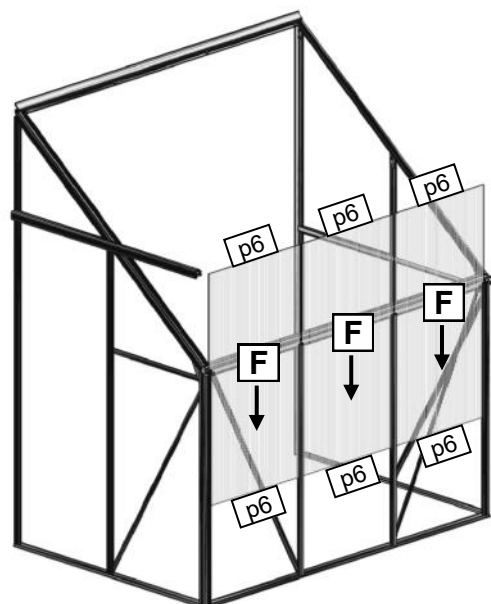
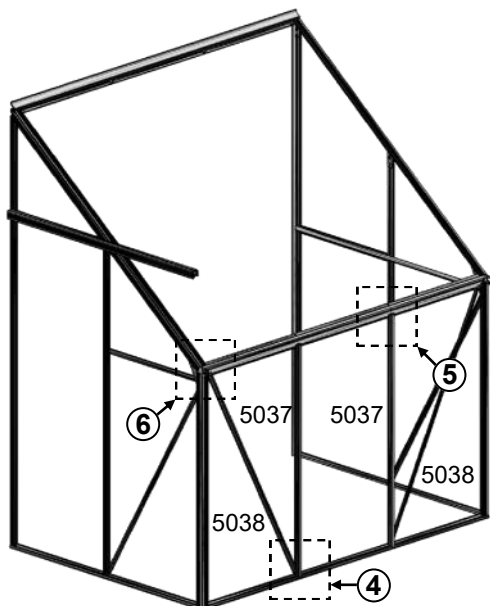
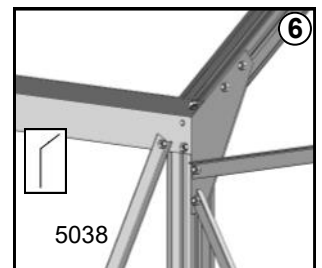
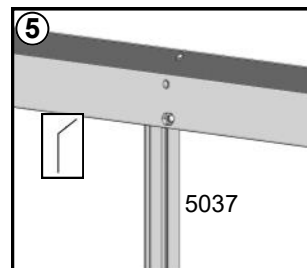
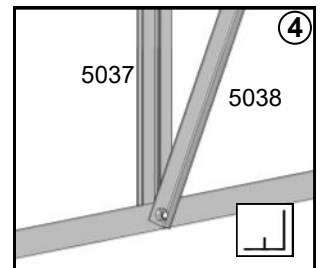
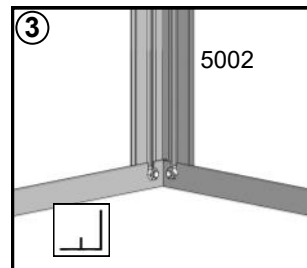
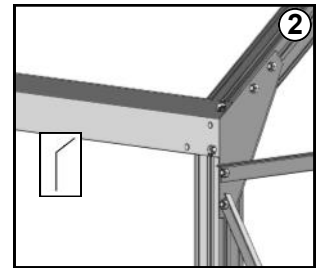
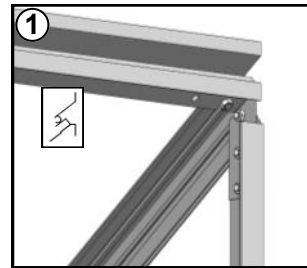
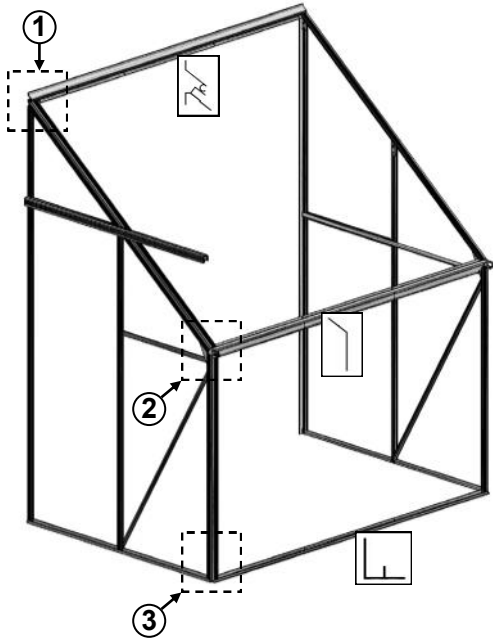
2																					
#	5207	5002	5012	5203	5006	5011	5208	5618	5204	a1	a2	a3	a10	a15	p8	D-p2	m8	m2	m4	p6	
mm	1268	1181	1677	2166	1276	642	594	1240	1591	M6x10	M6	M6x18	M4	M4x12							592
QTY	1	1	1	1	1	1	1	1	1	19	21	2	1	1	1	1	1	1	2	1	



Side wall

Package No.3

3																				
#	5020	5021	5022	5023	5026	5027	5028	5029	5210	5211	5212	5213	5037	5038	a1	a2	p6			
mm	1918	2544	3170	3796	1918	2544	3170	3796	1918	2544	3170	3796	1167	1311	M6x10	M6	592			
LSD406	1				1				1				2	2	14	14	6			
LSD408		1				1				1			3	2	16	16	8			
LSD410			1				1				1		4	2	18	18	10			
LSD412				1				1				1	5	2	20	20	12			



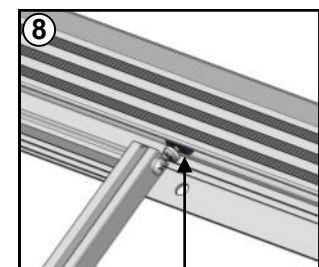
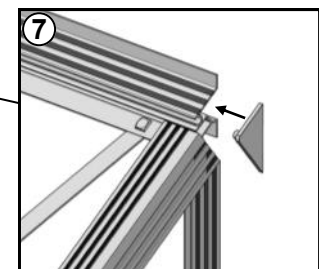
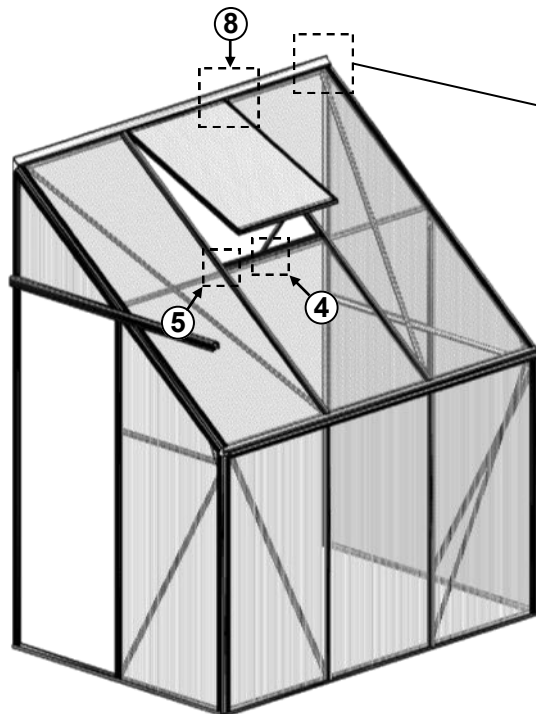
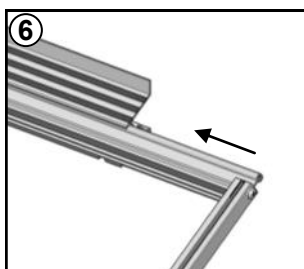
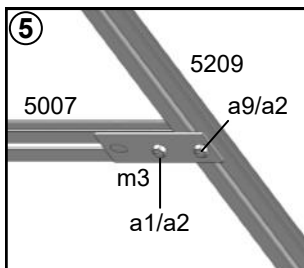
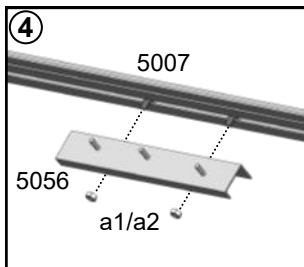
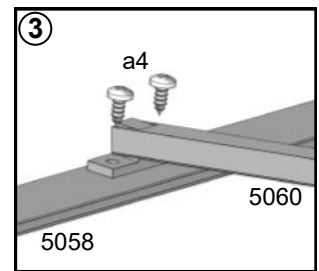
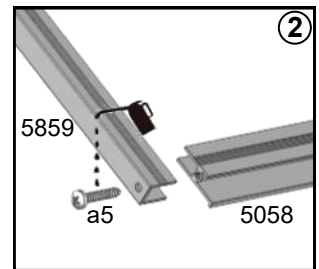
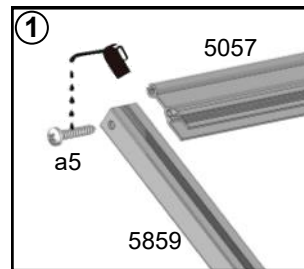
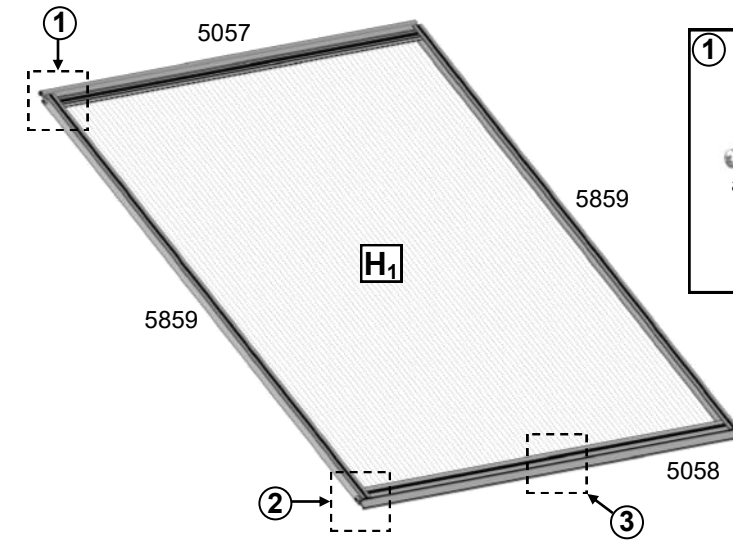
Vent

Package No.5

5													
#	5007	5056	5057	5058	5859	5060	m3	a1	a2	a4	a5	a9	p3
mm	594	200	608	608	750	300	-	M6x10	M6	Φ4.2x9.5	Φ3.5x19	M6x10	-
Qty	1	1	1	1	2	1	2	4	6	4	4	2	2

	LSD406	LSD408	LSD410	LSD412
Vent No.	1	1	2	2

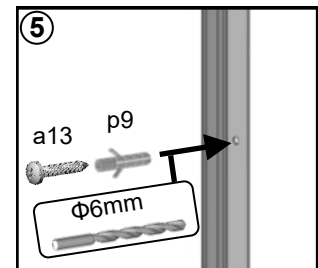
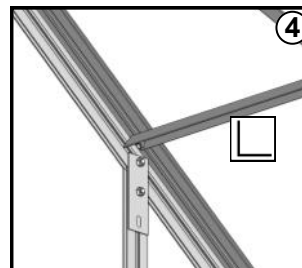
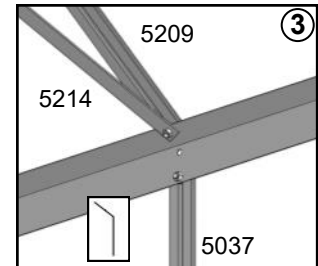
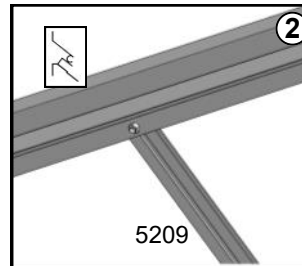
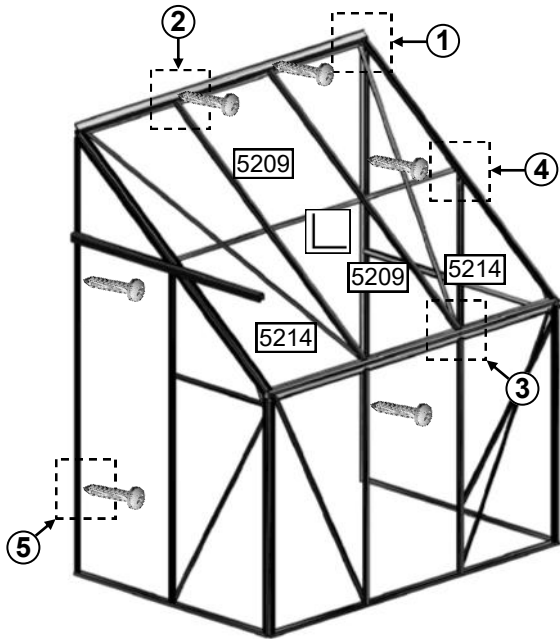
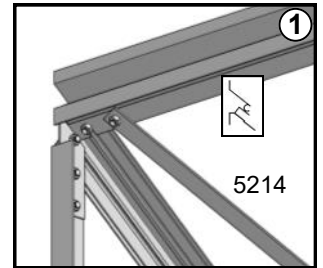
Please put vent in place before fixing roof glazing bar part #5209, don't forget inserting part #p3 into the both sides of vent through ridgepole channel to fix vent later.



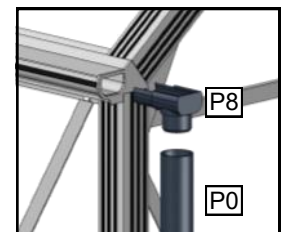
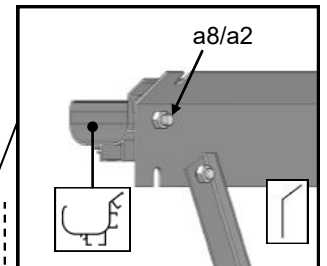
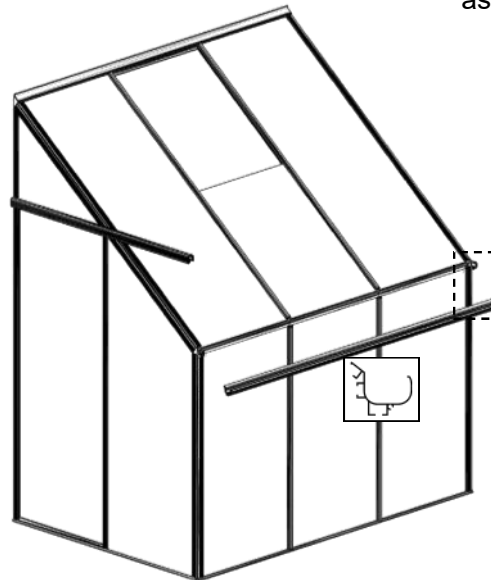
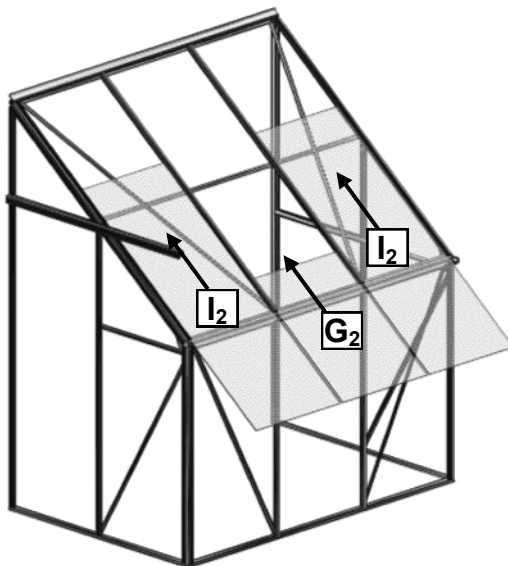
Roof

Package No.4

4															
#	5209	5214	5042	5043	5044	5045	5847	5848	5849	5850	a1	a2	a8	a13	p9
mm	1591	1697	1918	2544	3170	3796	1893	2519	3145	3771	M6x10	M6	M6x15	Φ4x25	Φ6
LSD406	2	2	1				1				10	14	4	6	6
LSD408	3	2		1				1			13	18	5	7	7
LSD410	4	2			1				1		16	22	6	8	8
LSD412	5	2				1				1	19	26	7	9	9

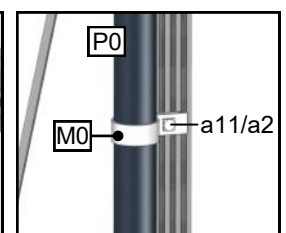
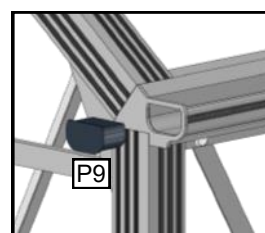


Please fixing greenhouse on the wall first before assembling roof panels.



Downpipe kits is an optional extra and is not included in the price.

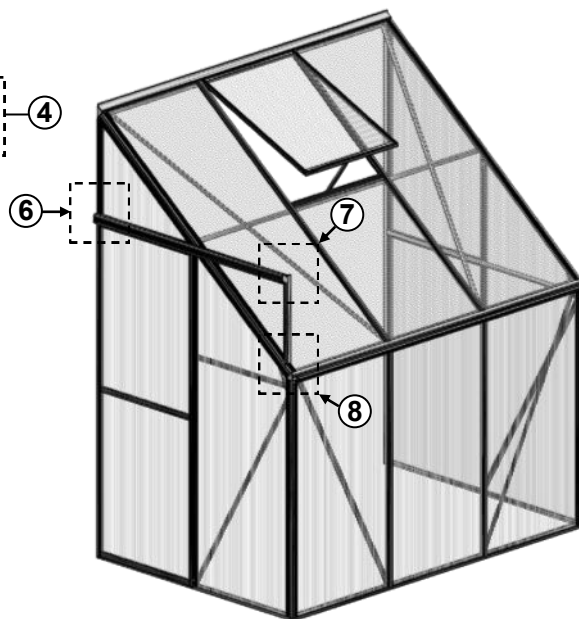
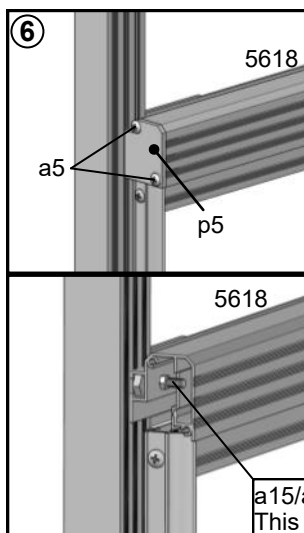
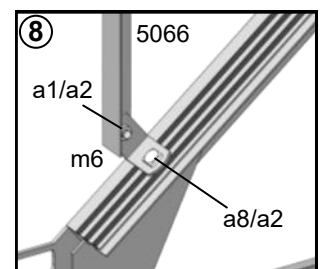
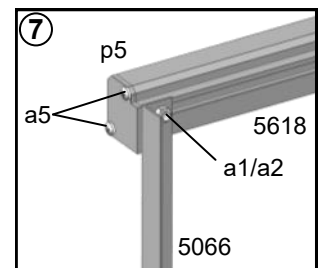
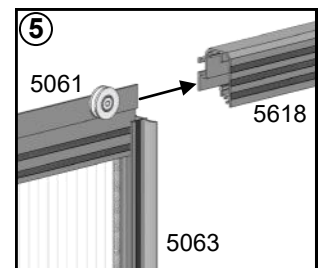
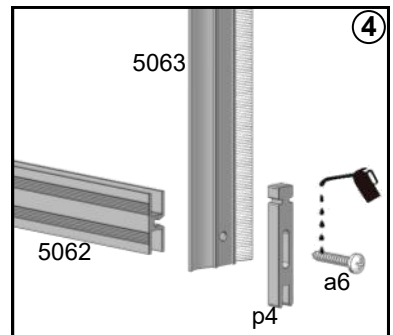
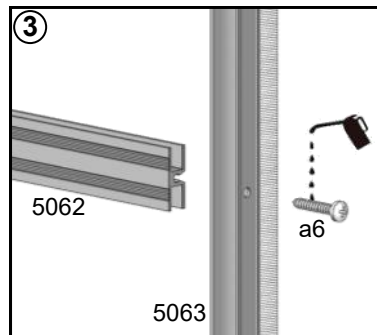
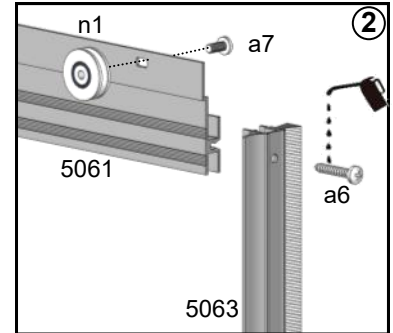
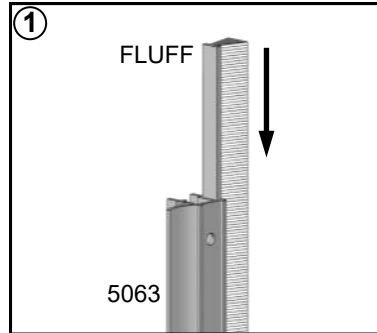
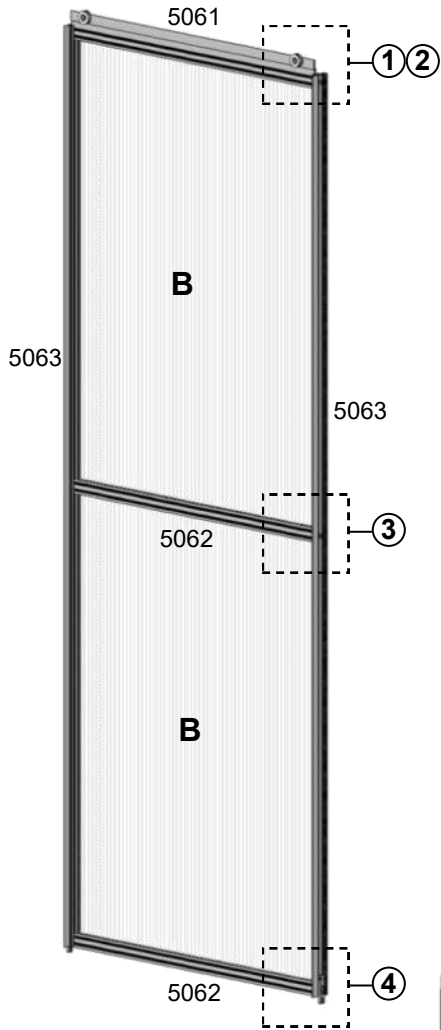
#	P8	P9	M0	P1	P0	P2	a11	a2
mm					600	200	M6x25	M6
QTY	1	1	1	1	1	1	1	1



Door

Package No.6

6															
#	5061	5062	5063	5066	p4	p5	m6	a1	a2	a8	a5	a6	a7	n1	FLUFF
mm	600	600	1648	427	-	-	-	M6x10	M6	M6x15	Φ3.5x19	Φ3.5x25	Φ4x8	-	1648
QTY	1	2	2	1	2	2	1	2	3	1	4	6	2	4	2



a15/a10
This is pre-assembled door stop.