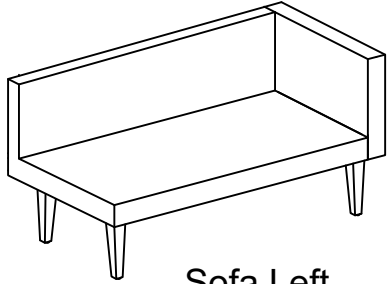


# DESCRIPTION



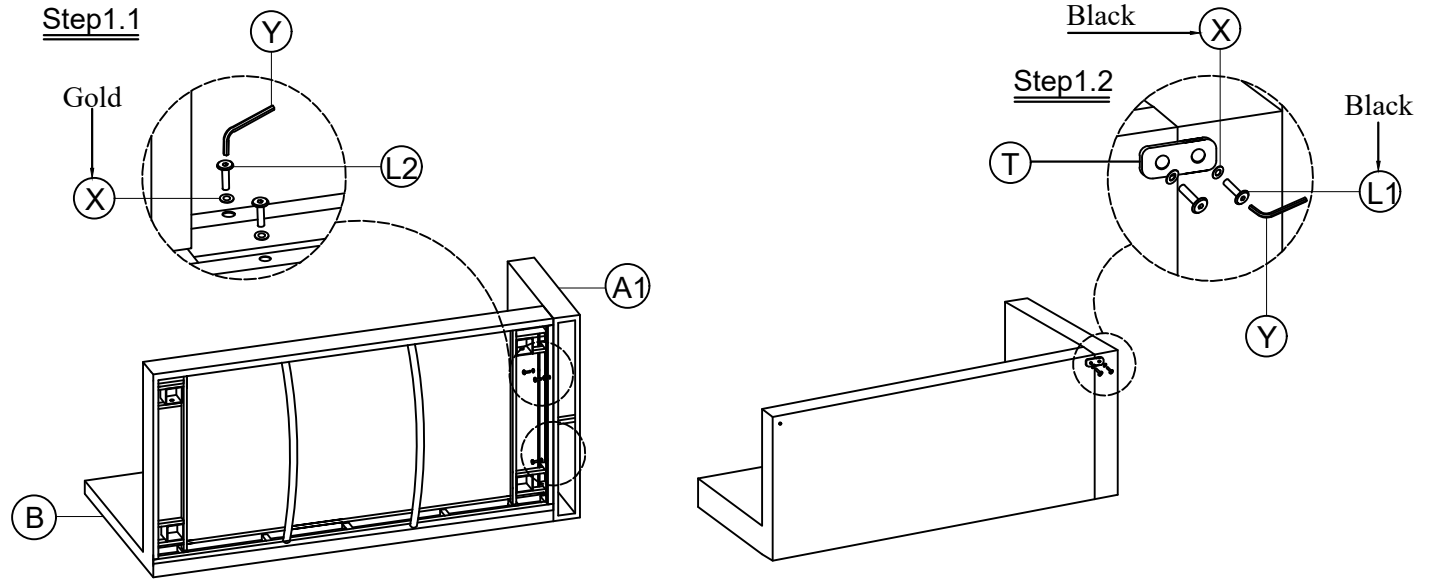
# ASSEMBLY INSTRUCTIONS



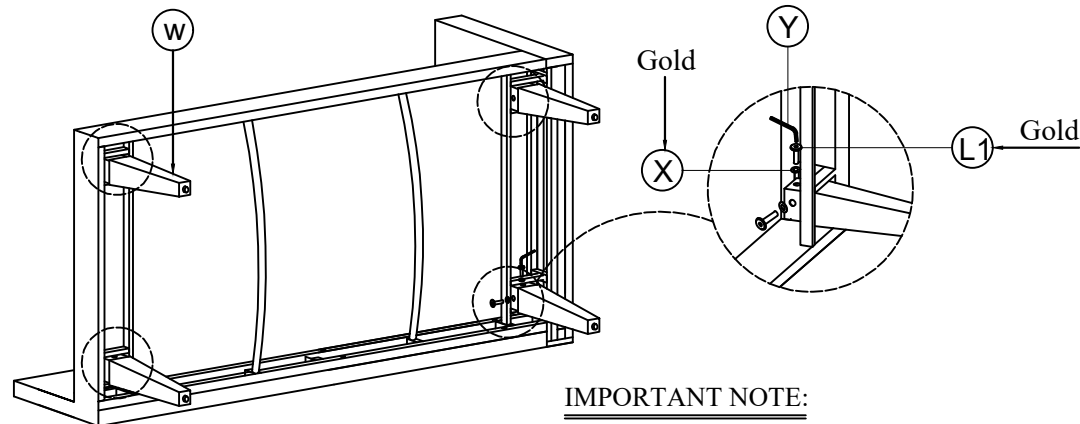
## HARDWARE

No.	Item	Detail	Quantity
1	X		Gold x11
			Black x4
2	Y		x1
3	T		x2
4	L1		Gold x8
			Black x4
5	L2		x3
6	A1		x1
7	B		x1
8	W		x4

### Step 1: Assembly Armrest



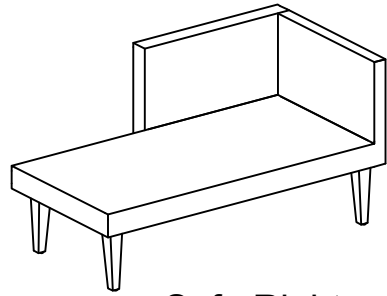
### Step 2: Assembly legs



#### IMPORTANT NOTE:

Do not tighten screws/bolts, until all completely assembled.  
Thank you.

# DESCRIPTION



Sofa Right

# HARDWARE

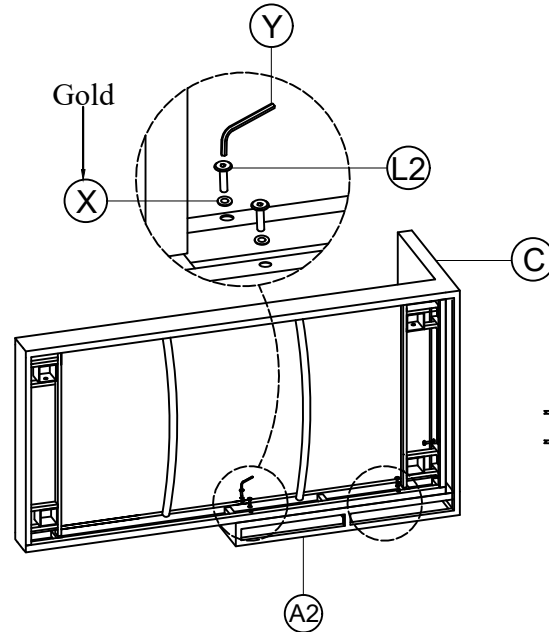
No.	Item	Detail	Quantity
1	X		Gold x11 Black x2
2	Y		x1
3	T		x1
4	L1	 M6x20mm	Gold x8 Black x2
5	L2	 M6x35mm	x3
6	A2		x1
7	C		x1
8	W		x4

# ASSEMBLY INSTRUCTIONS

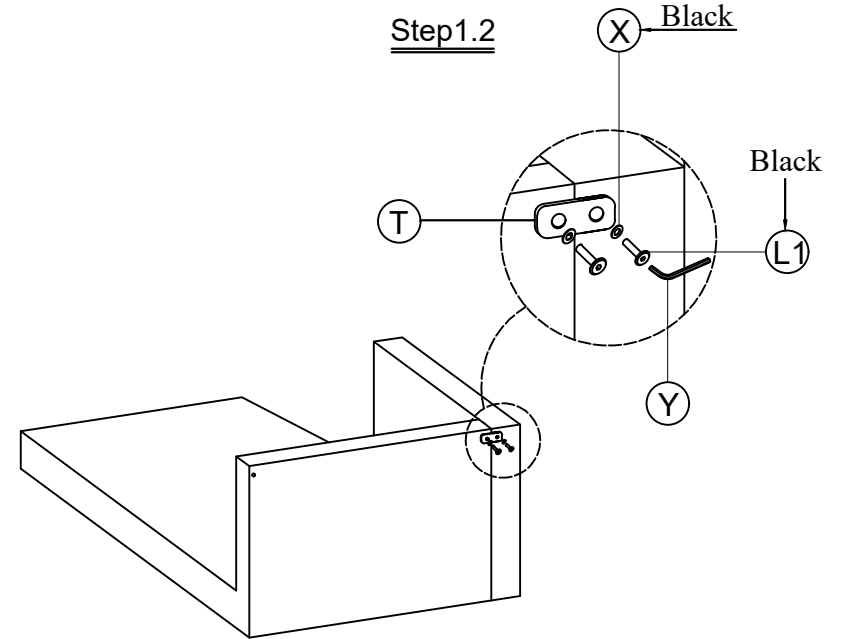
*homeville*

## Step 1: Assembly Armrest

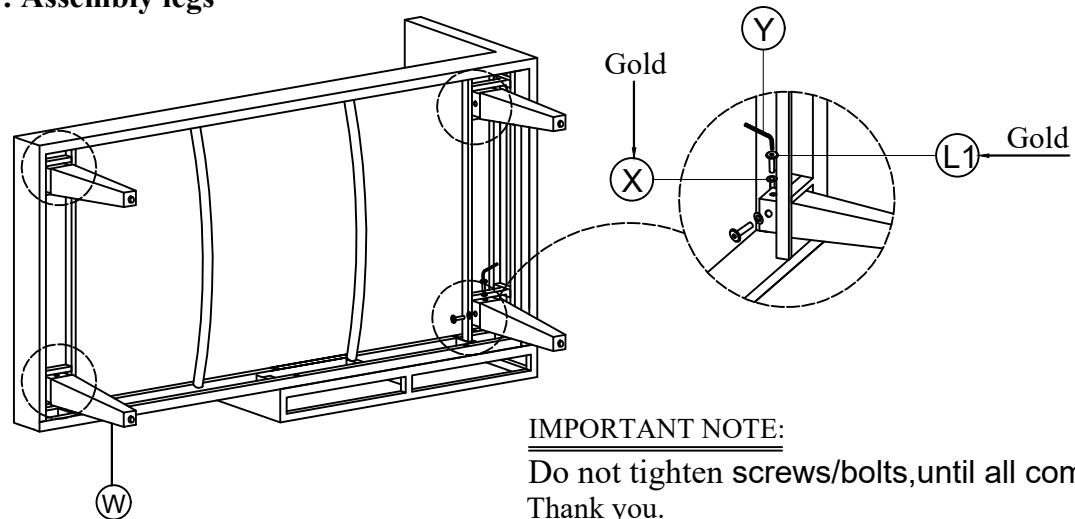
### Step1.1



### Step1.2



## Step 2: Assembly legs

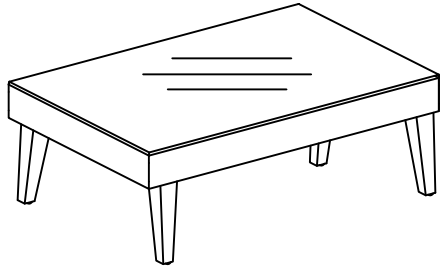


### IMPORTANT NOTE:

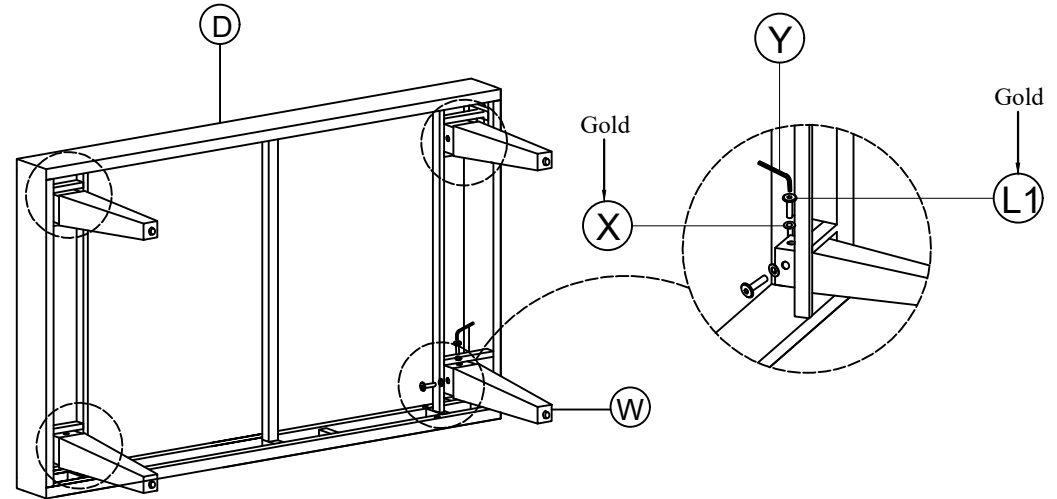
Do not tighten screws/bolts, until all completely assembled.  
Thank you.

# DESCRIPTION

# ASSEMBLY INSTRUCTIONS



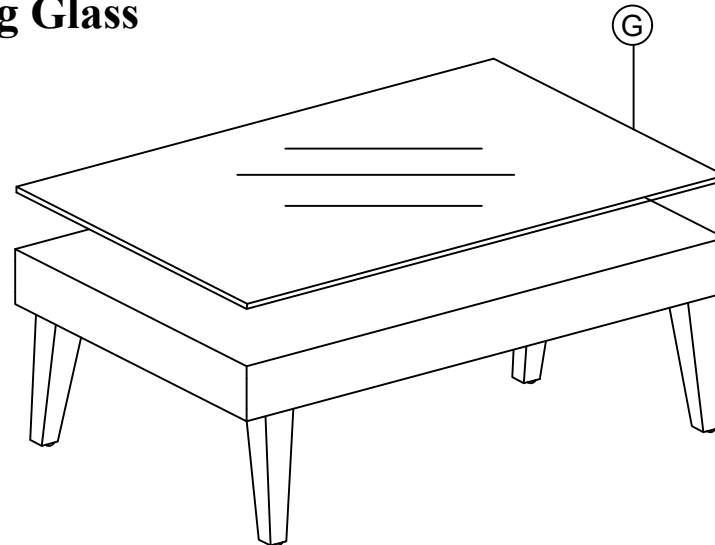
## Step 1 : Assembly Legs



## HARDWARE

No.	Item	Detail	Quantity
1	X		x8
2	Y		x1
3	L1	 M6x20mm	x8
4	D		x1
5	G		x1
6	W		x4

## Step 2 : Putting Glass



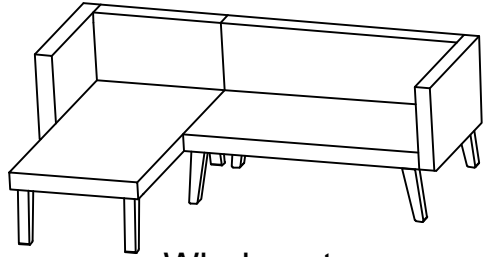
### IMPORTANT NOTE:

Do not tighten screws/bolts, until all completely assembled.

Thank you.

# DESCRIPTION

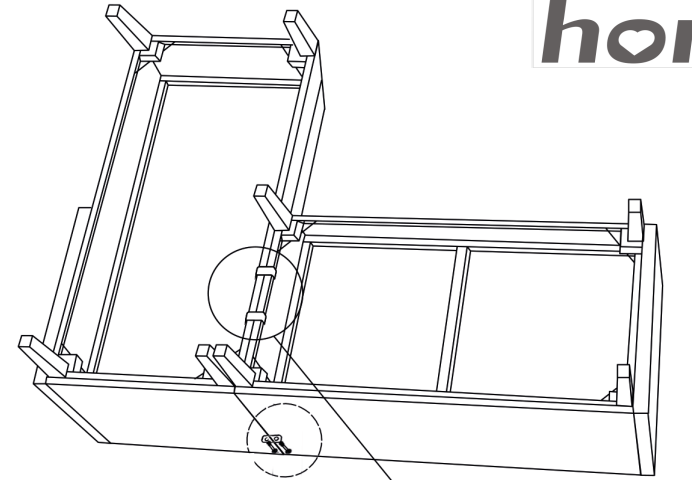
# ASSEMBLY INSTRUCTIONS



Whole set

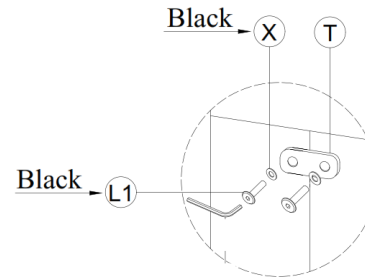
**homeville**

## Step 1



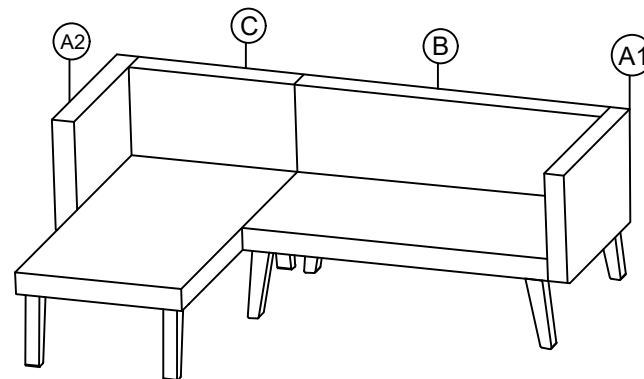
## HARDWARE

No.	Item	Detail	Quantity
1	I		x1
2	J		x1
3	K		x2

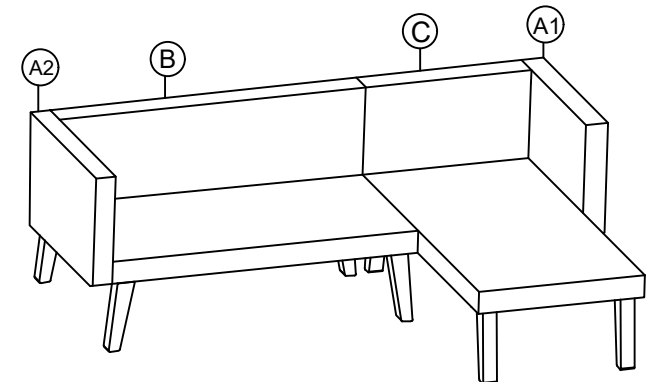


OPTION 1:

OPTION 2:



RIGHT SIDE



LEFT SIDE