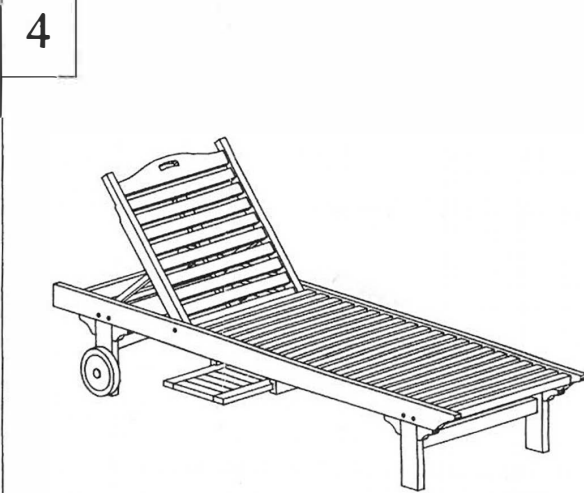
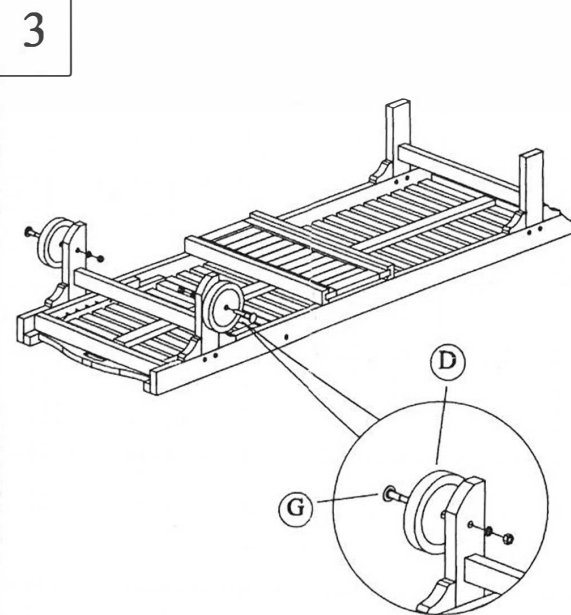
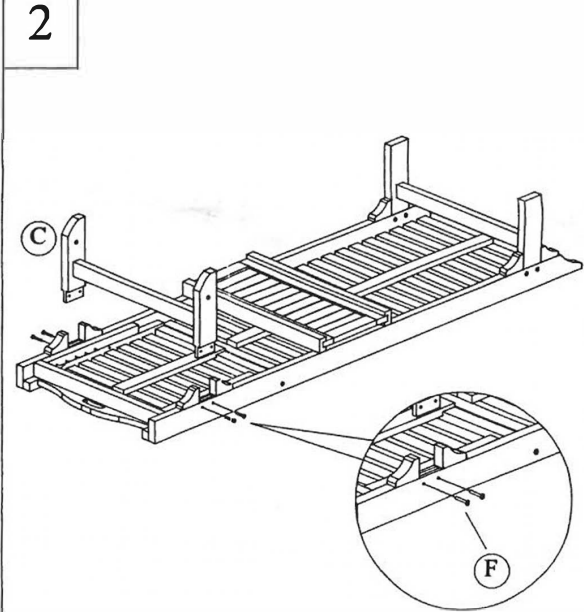
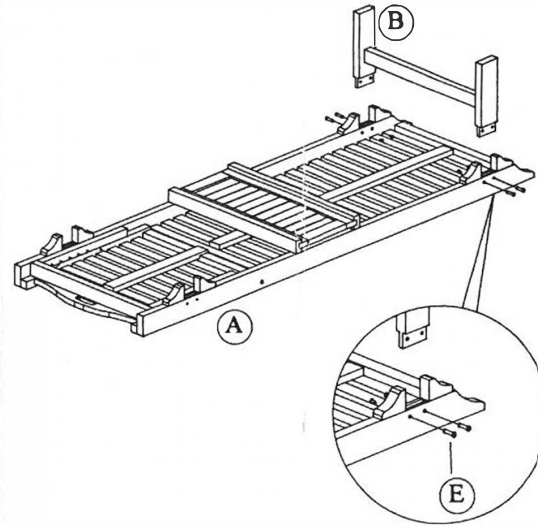
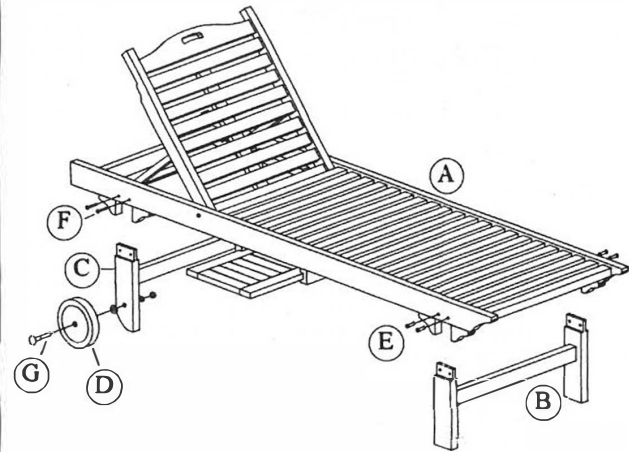




homeville



PART LIST

PART	QTY	DESCRIPTION
A	1	SEAT
B	1	FRONT LEG
C	1	BACK LEG
D	2	WOOD WHEEL

HARDWARE LIST

PART	QTY	SIZE	PICTURE
E	4	8 mm x 2.8 cm (bt)	
F	4	8 mm x 5.5 cm (bt)	
G	2	12 mm x 8 cm	