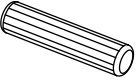

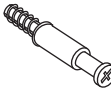


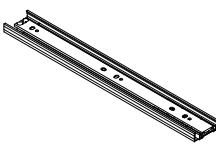
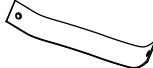

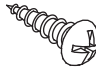
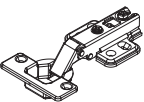
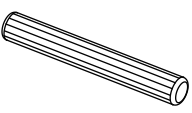
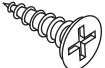


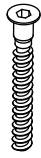

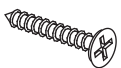
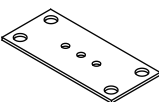

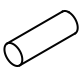



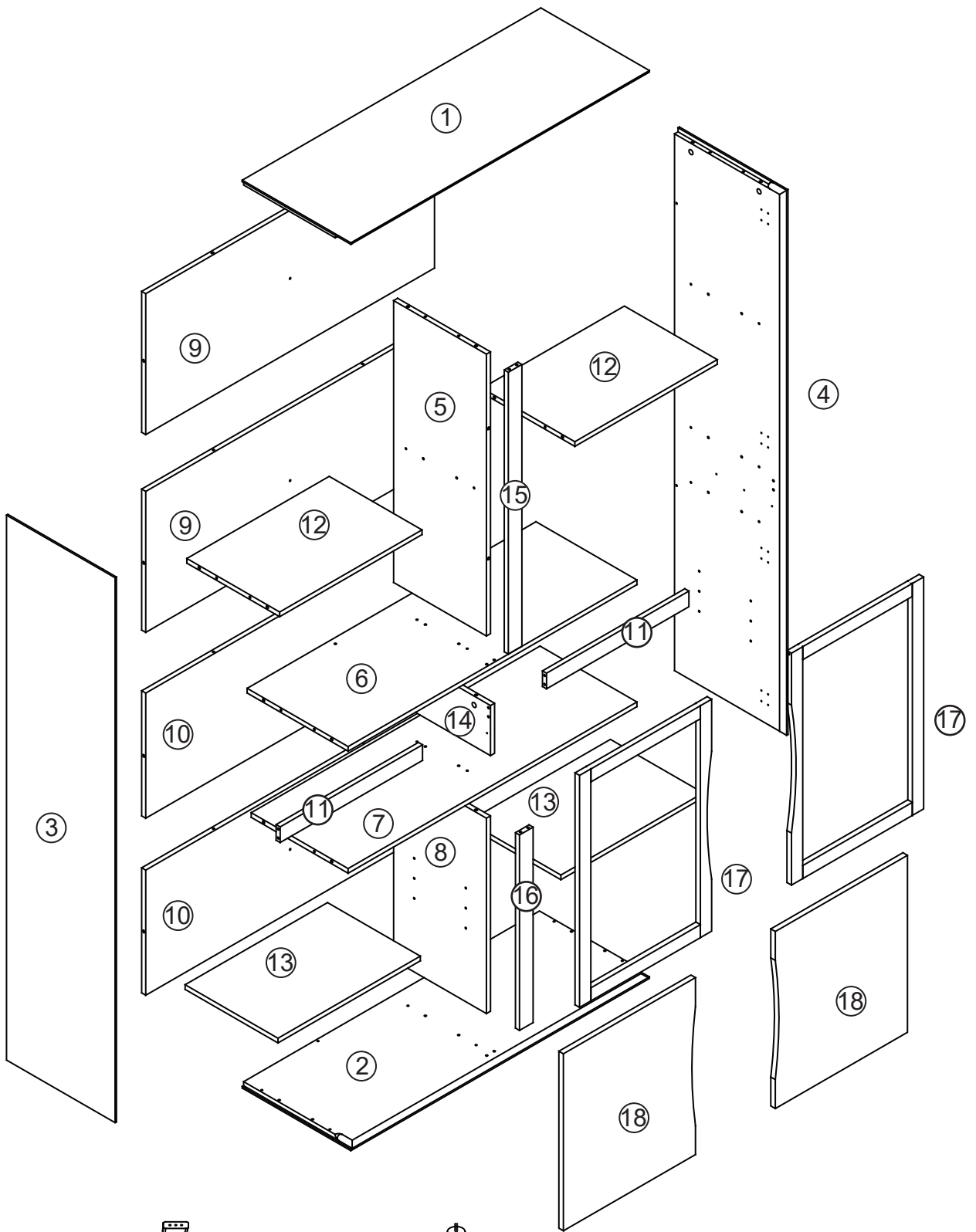
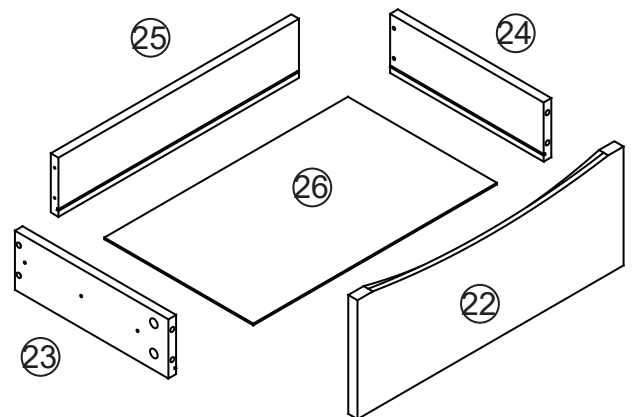
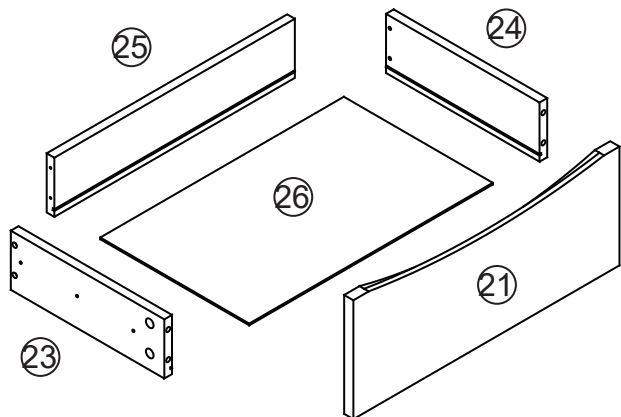
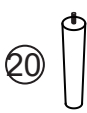


Parts and Hardware List

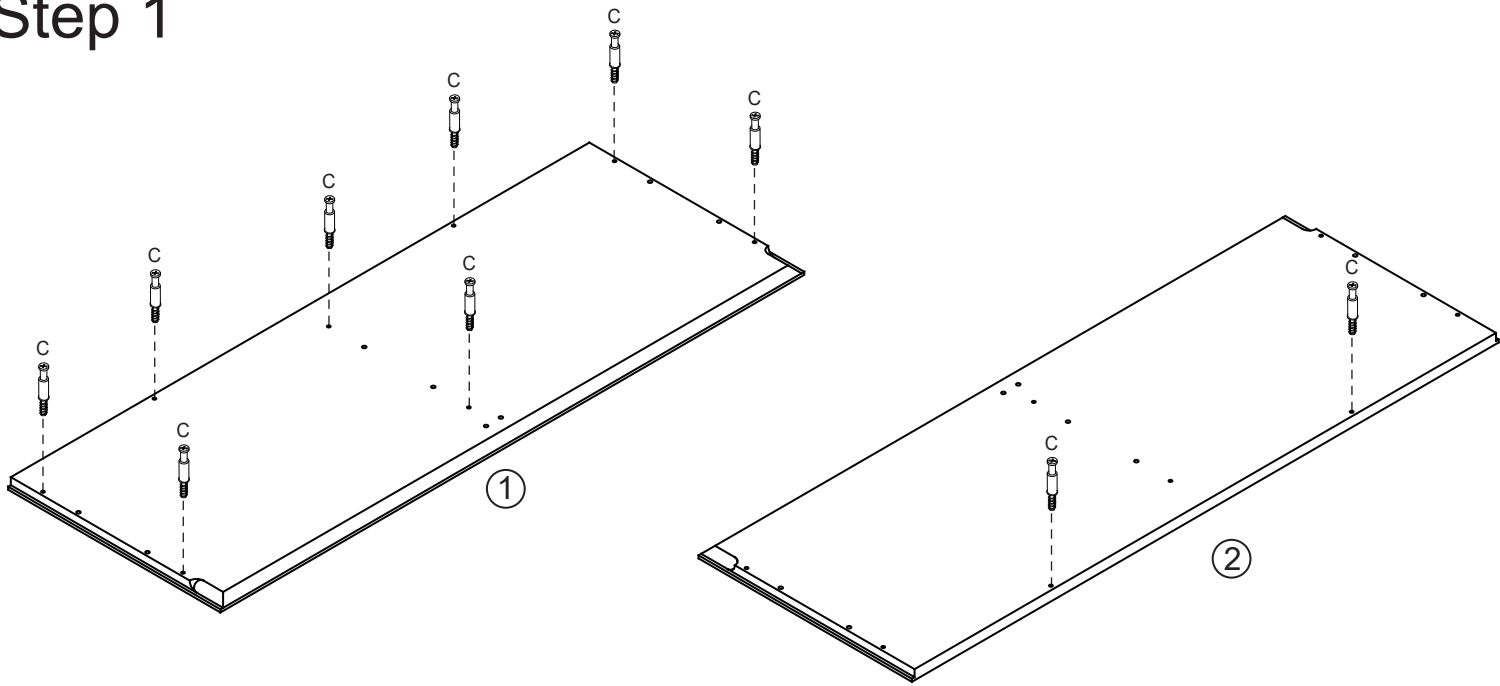
<p>A</p>  <p>48 pcs</p>	<p>B</p>  <p>22 pcs</p>	<p>C</p>  <p>50 pcs</p>	<p>D</p>  <p>50 pcs</p>	<p>E</p>  <p>24 pcs</p>
<p>F</p>  <p>4 pcs</p>	<p>G</p>  <p>2 pcs</p>	<p>H</p>  <p>4 pcs</p>	<p>I</p>  <p>2 pcs</p>	<p>J</p>  <p>8 pcs</p>
<p>K</p>  <p>4 pcs</p>	<p>L</p>  <p>48 pcs</p>	<p>M</p>  <p>1 pc</p>	<p>N</p>  <p>16 pcs</p>	<p>O</p>  <p>4 pcs</p>
<p>P</p>  <p>1 pc</p>	<p>Q</p>  <p>8 pcs</p>	<p>R</p>  <p>4 pcs</p>	<p>S</p>  <p>4 pcs</p>	<p>T</p>  <p>8 pcs</p>
<p>U</p>  <p>6 pcs</p>	<p>V</p>  <p>2 pcs</p>	<p>W</p>  <p>2 pcs</p>		



19 x4

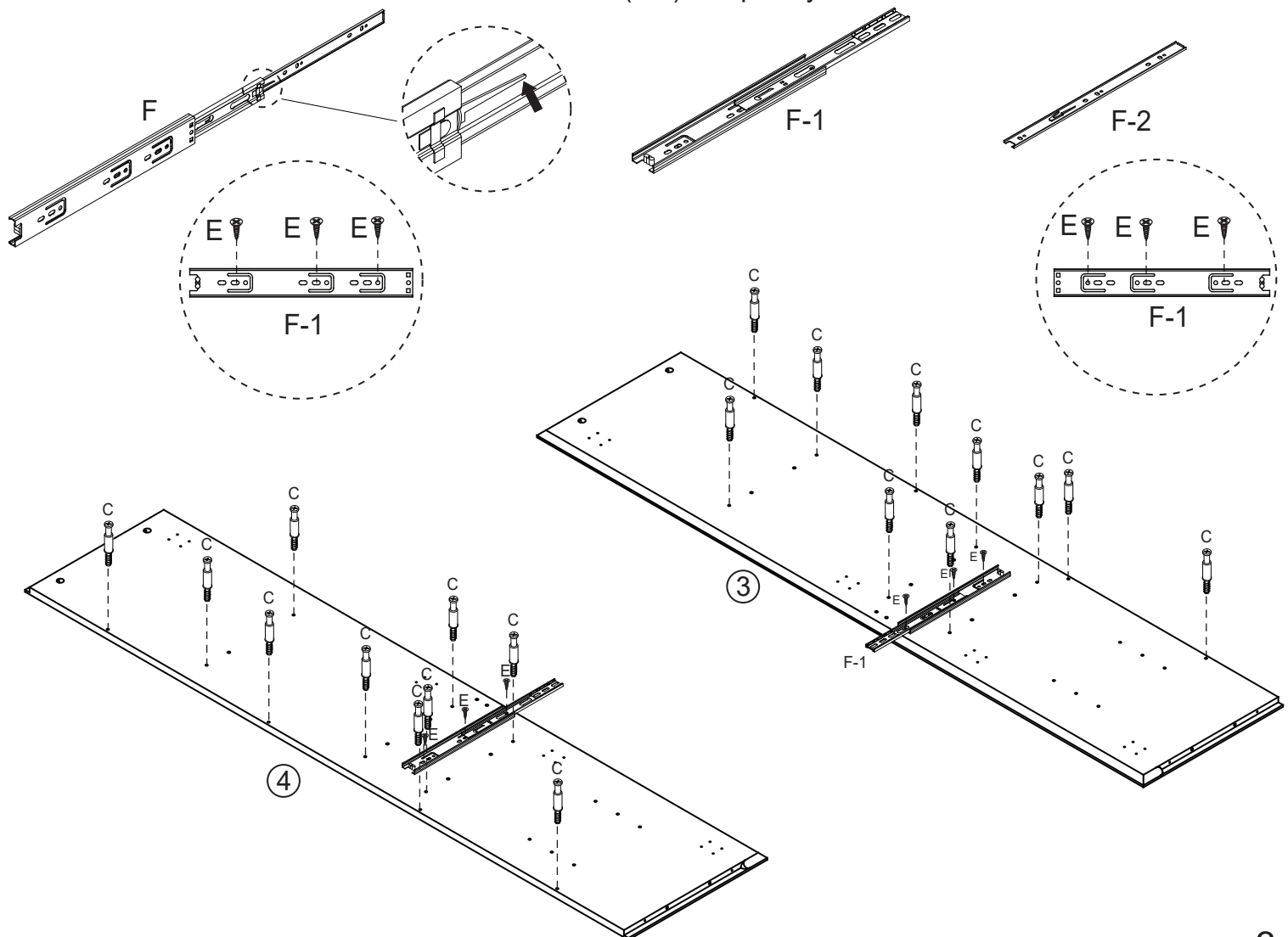


Step 1

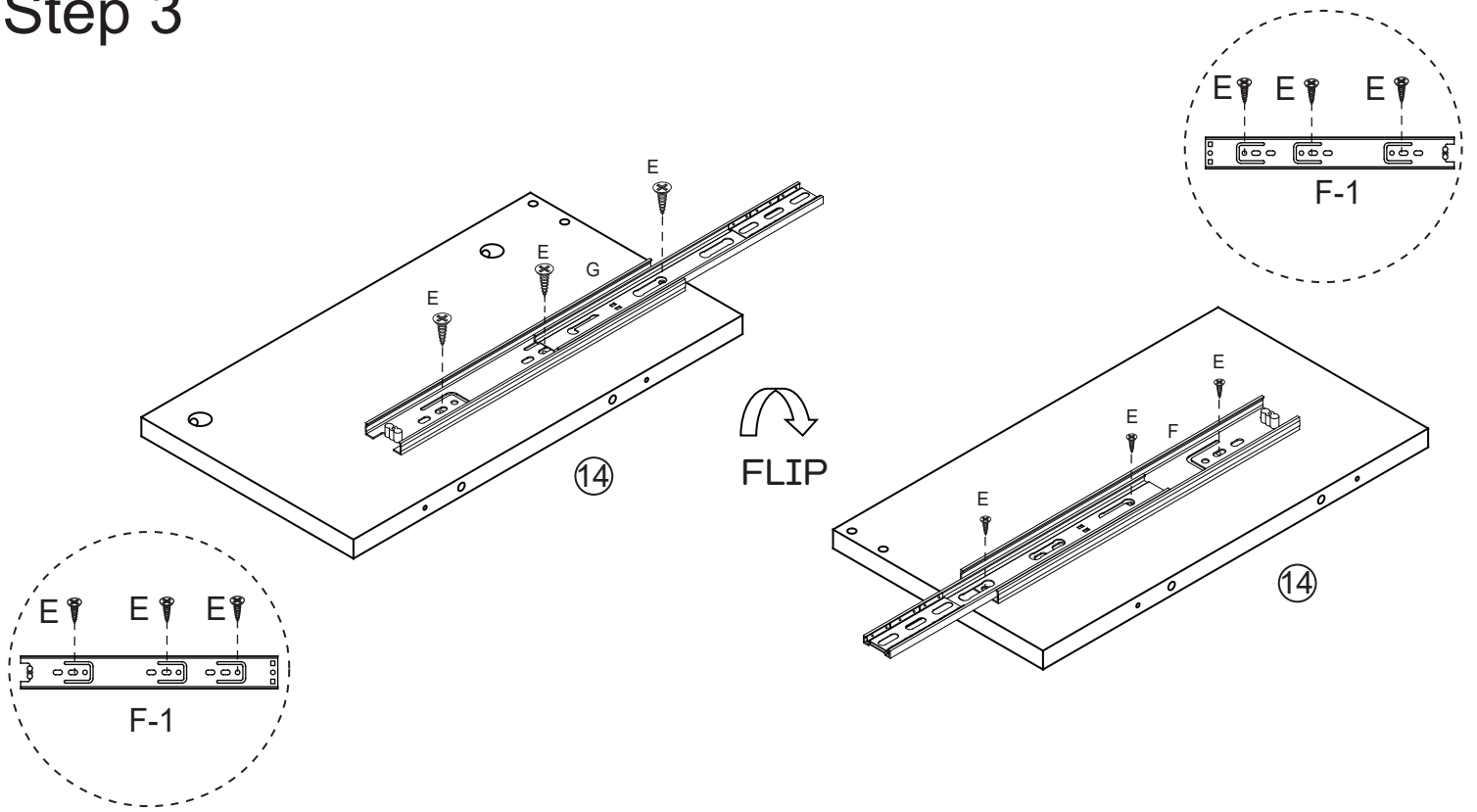


Step 2

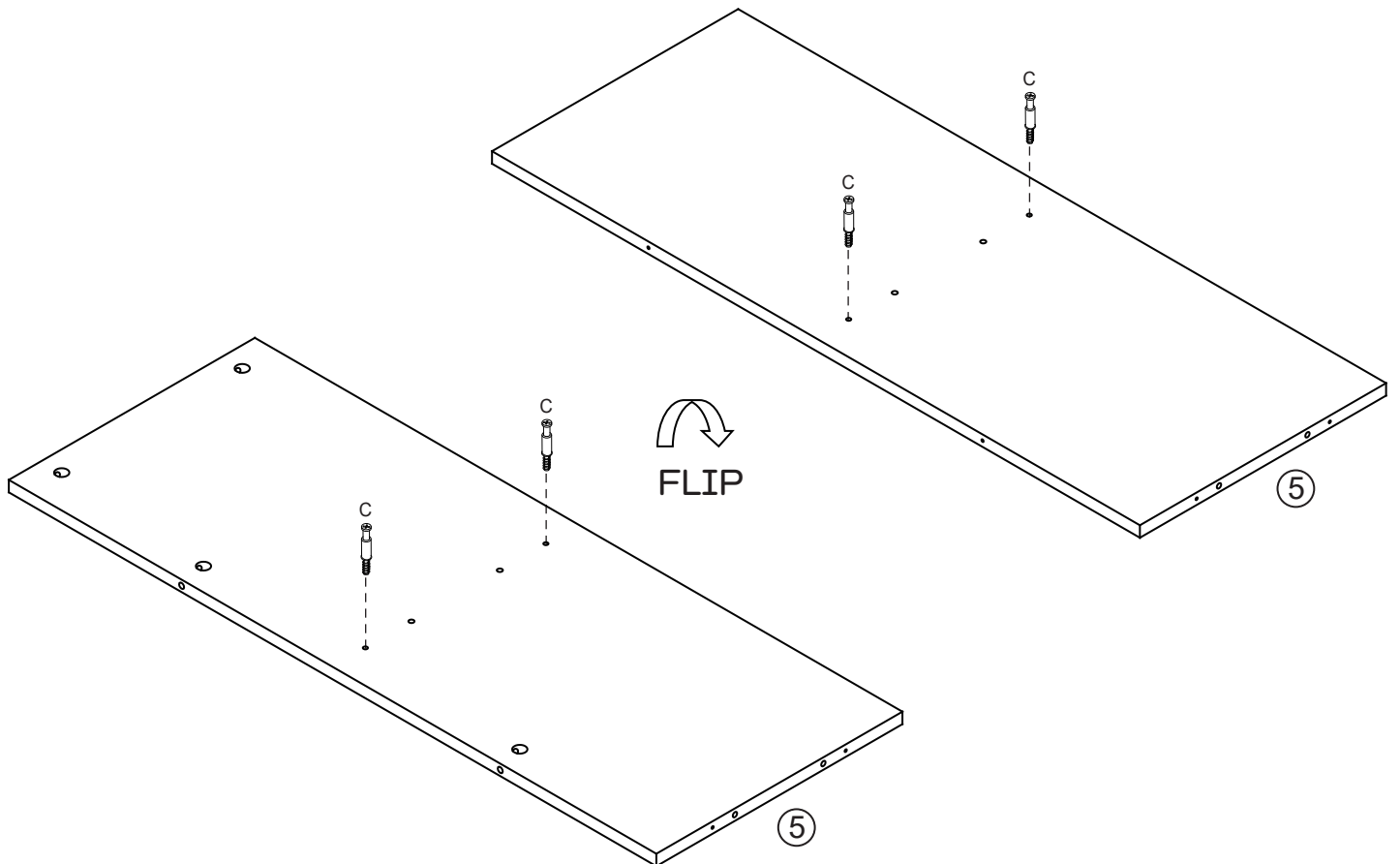
Separate the slide runners (F-2) and slide tracks (F-1) from slide (F) by following the steps below. Extend the slide runner all the way forward. Press the plastic release lever of the slide down and pull the slide runner (F-2) completely out.



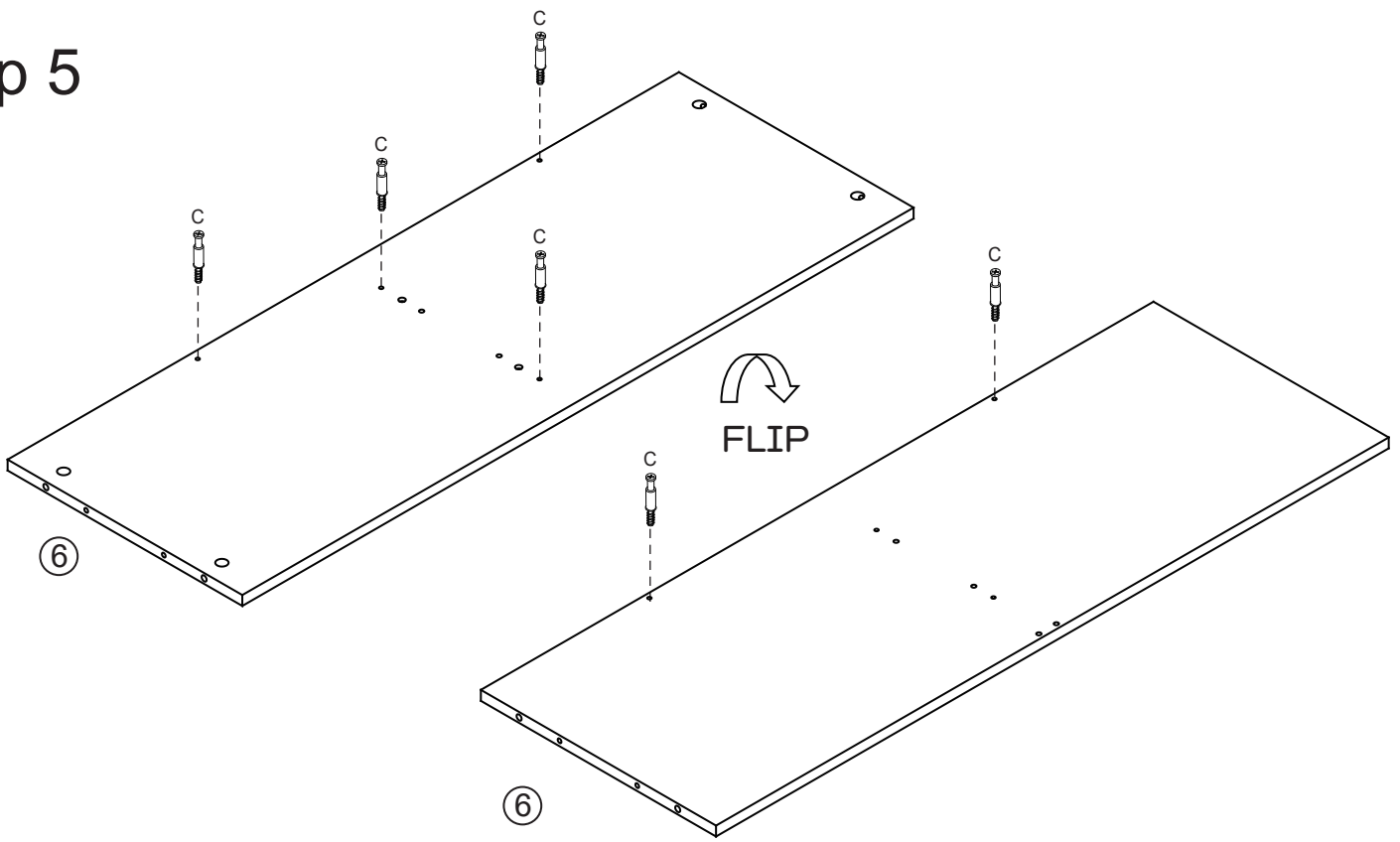
Step 3



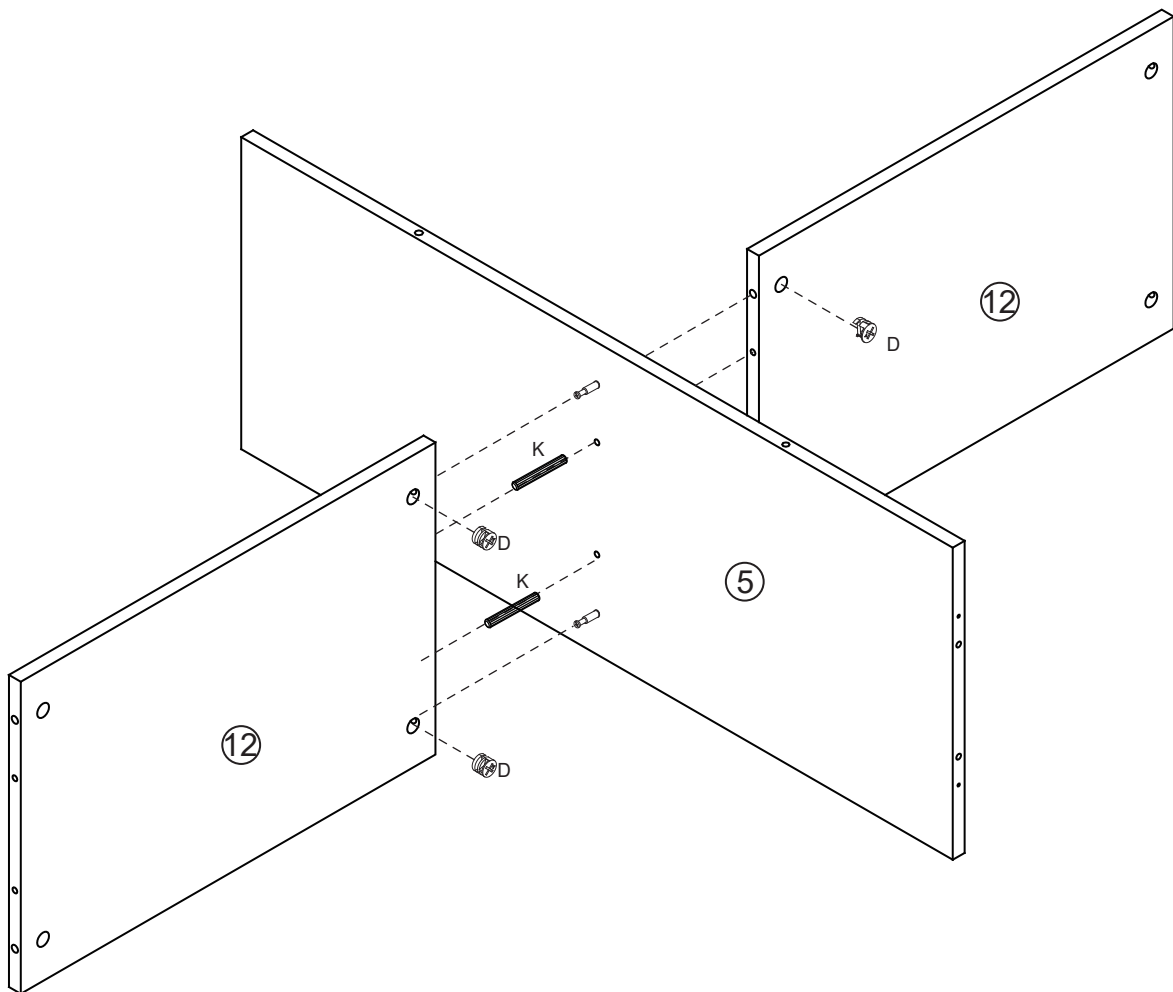
Step 4



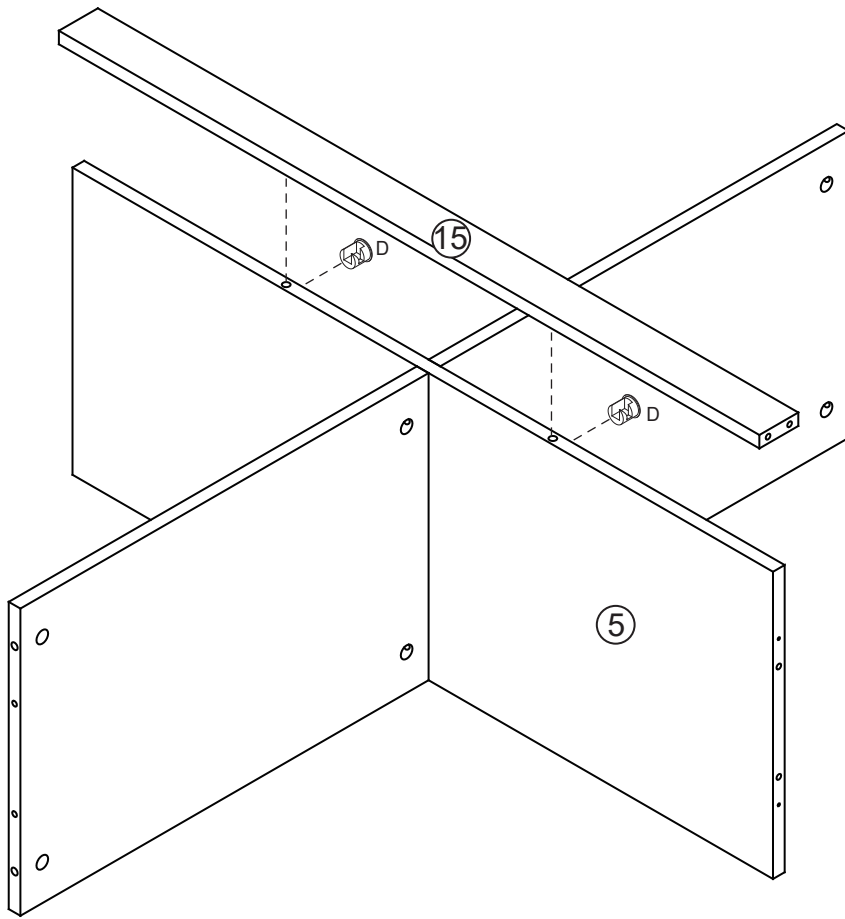
Step 5



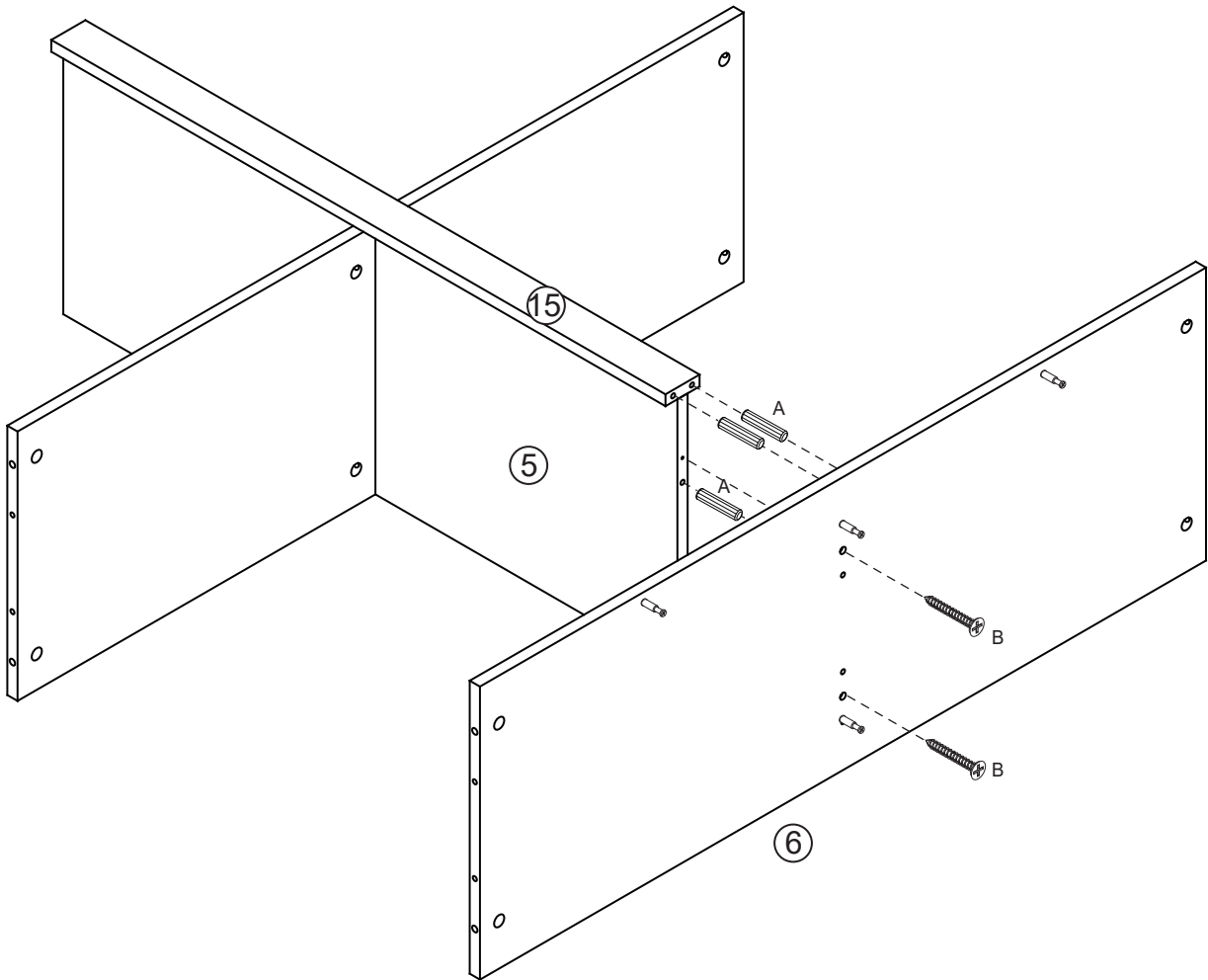
Step 6



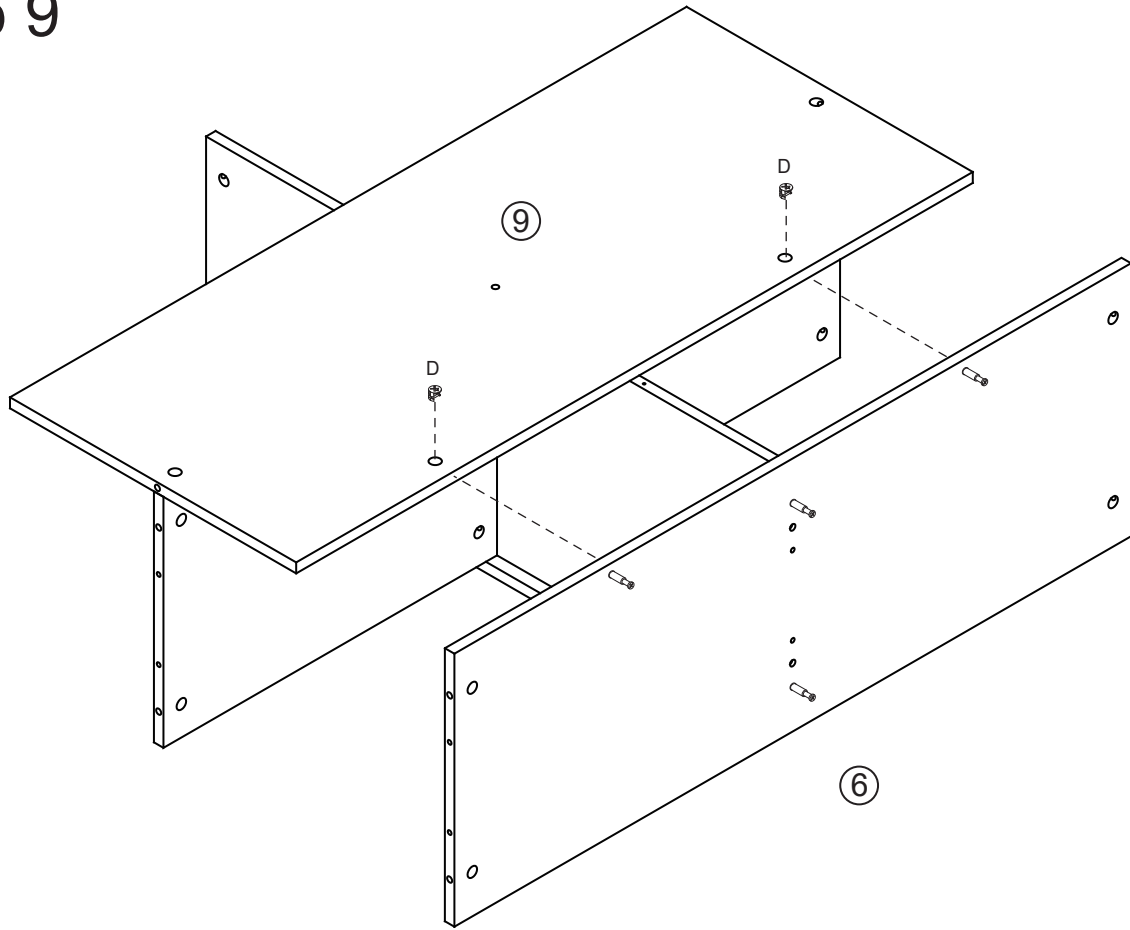
Step 7



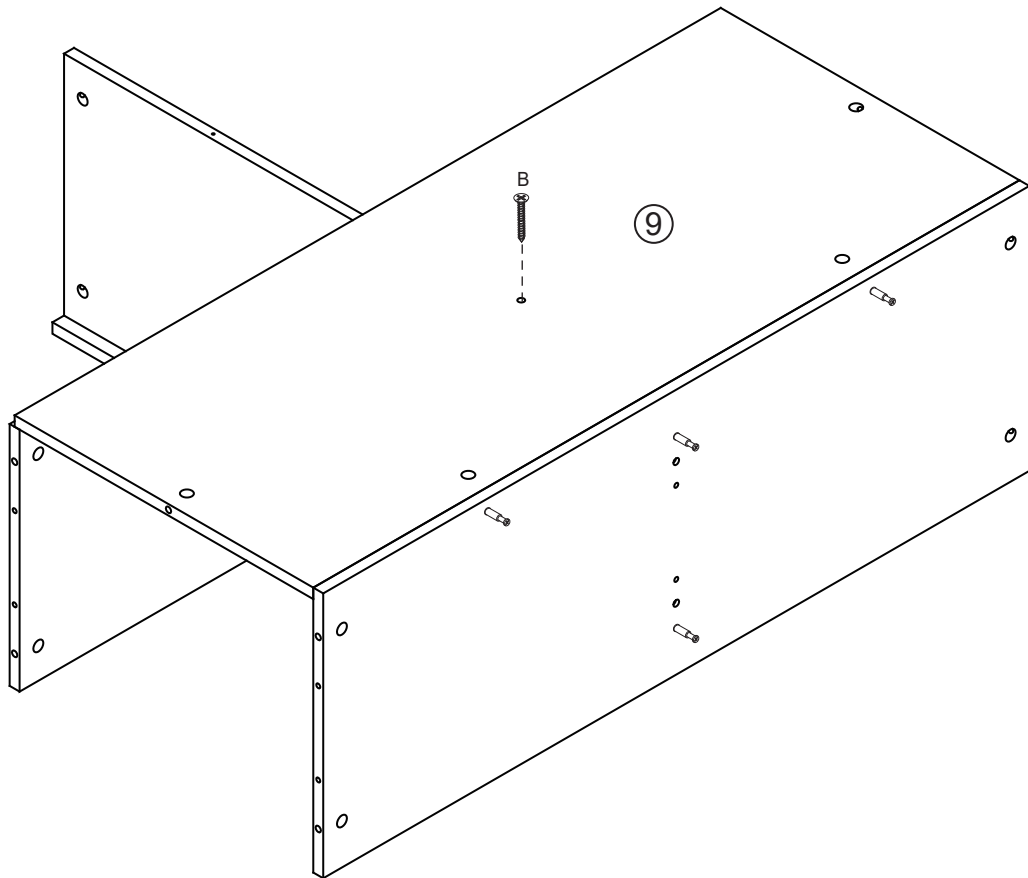
Step 8



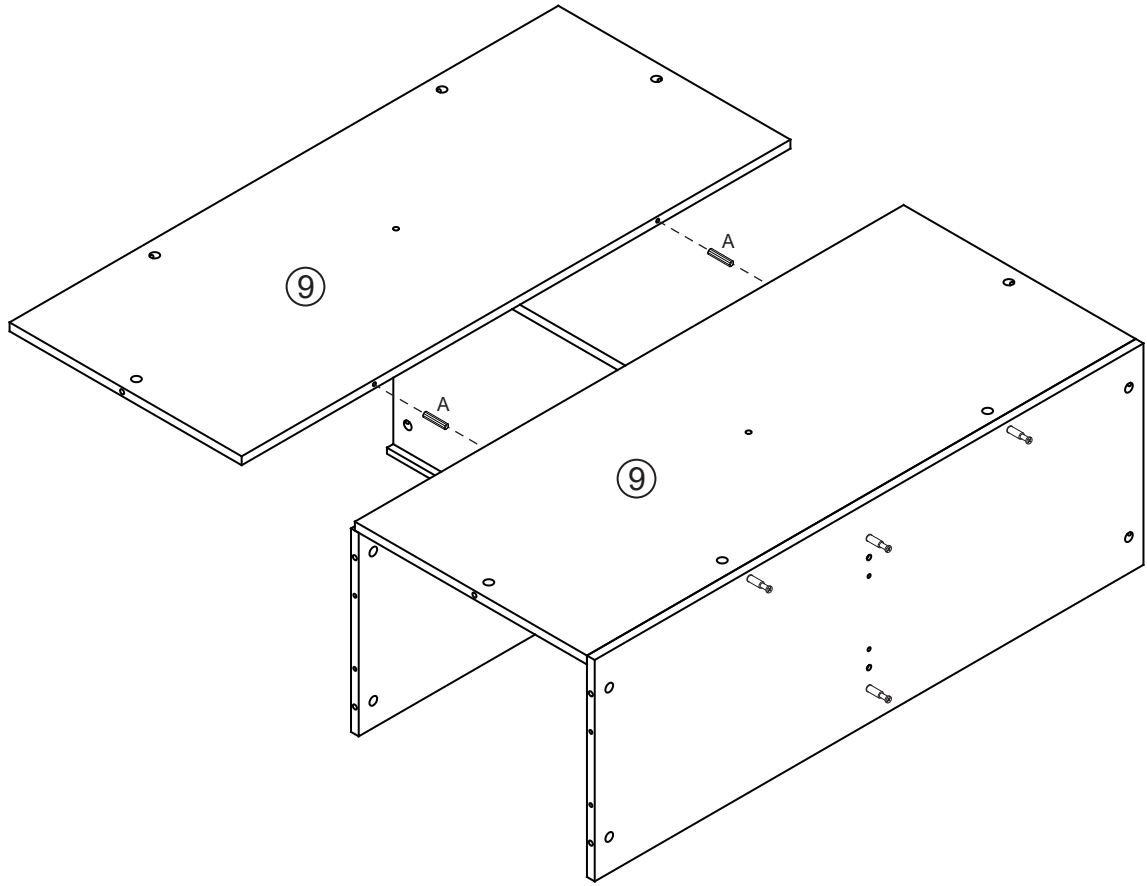
Step 9



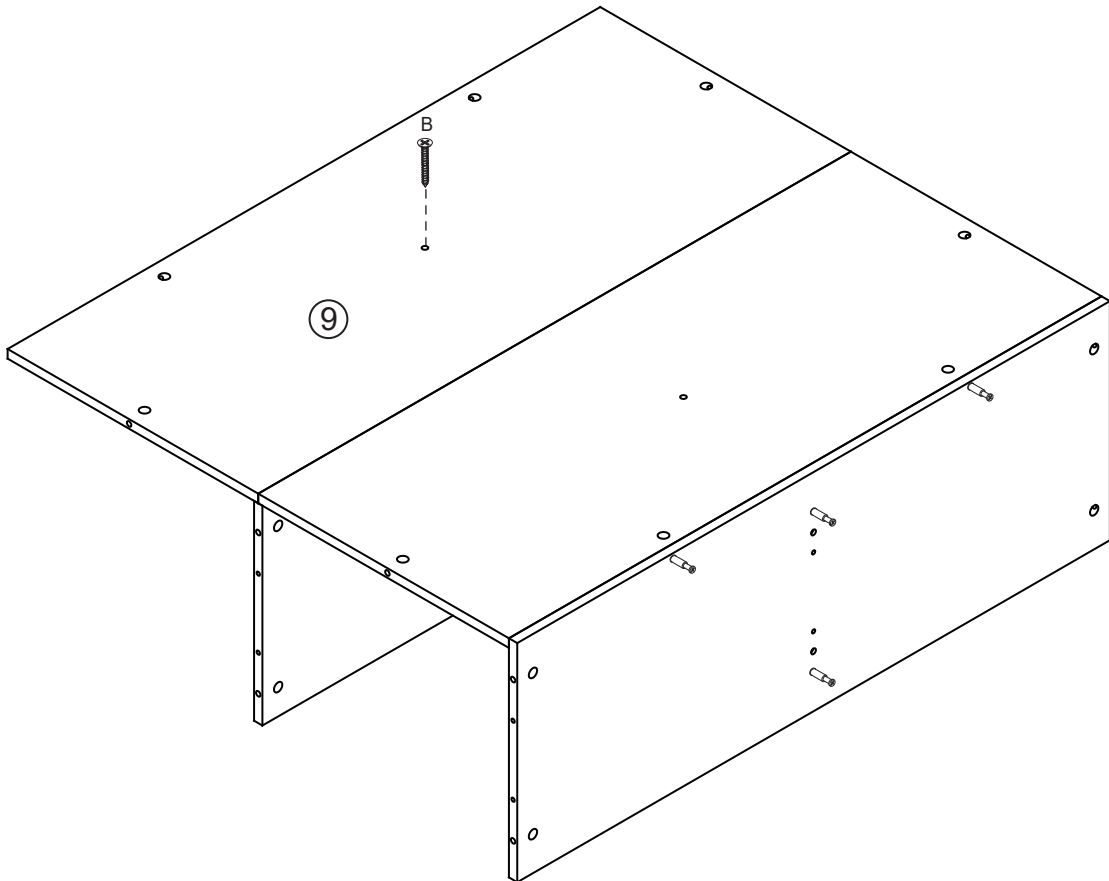
Step 10



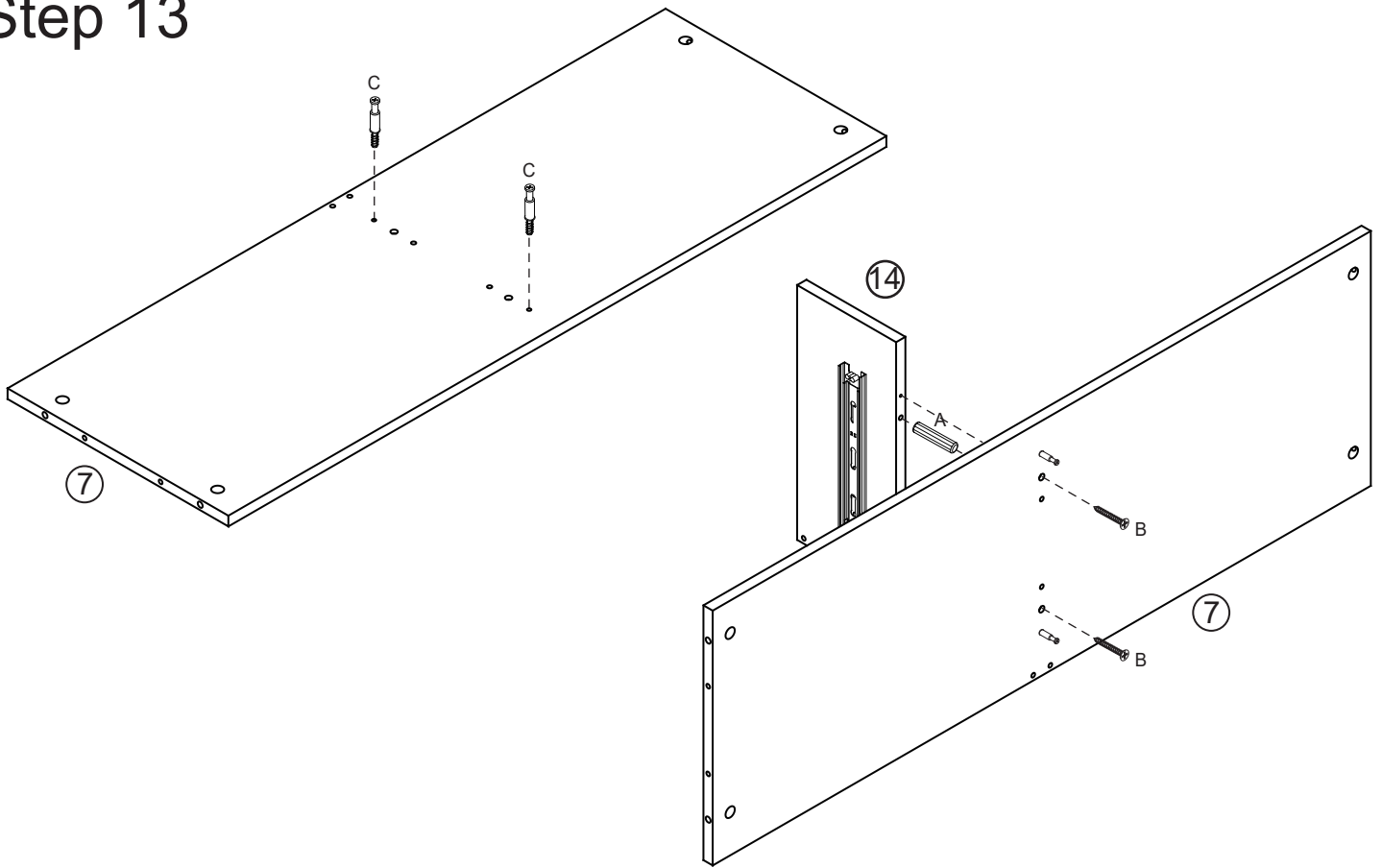
Step 11



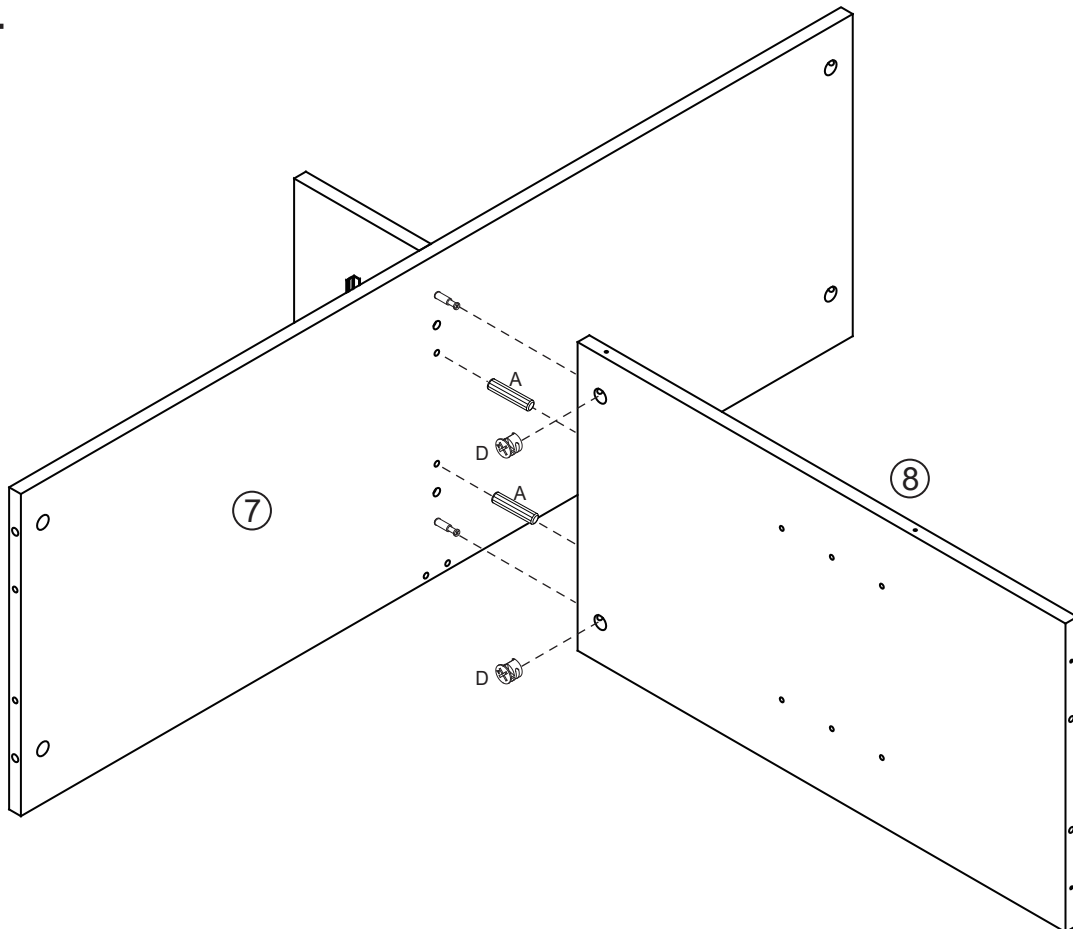
Step 12



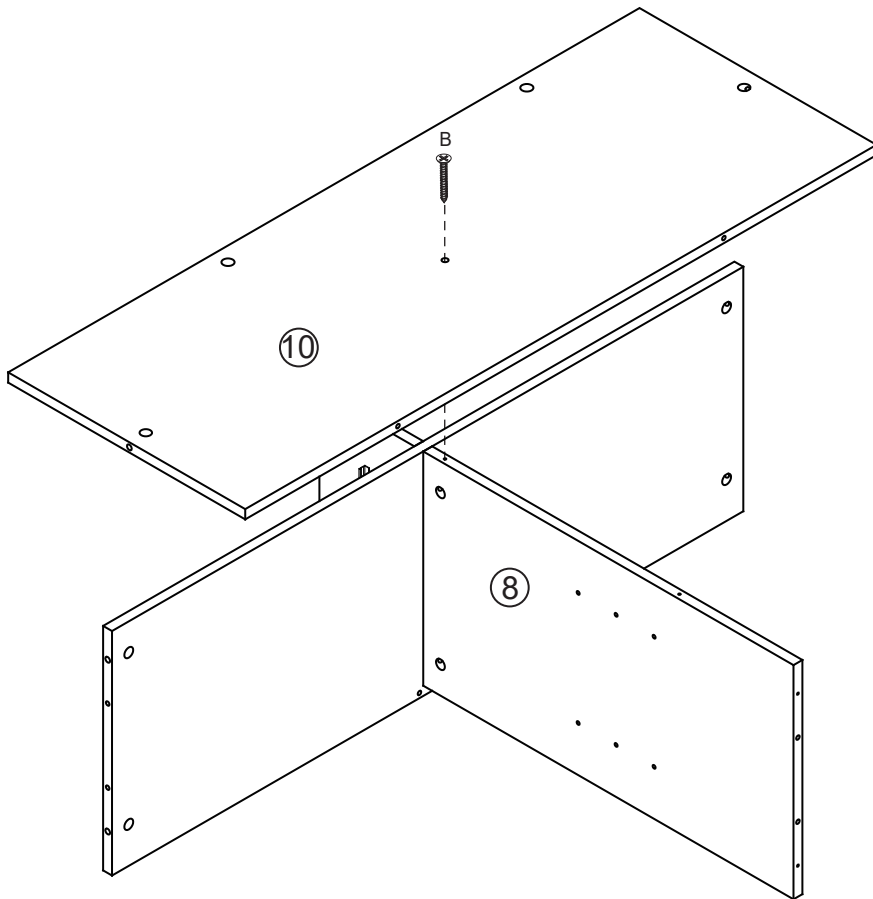
Step 13



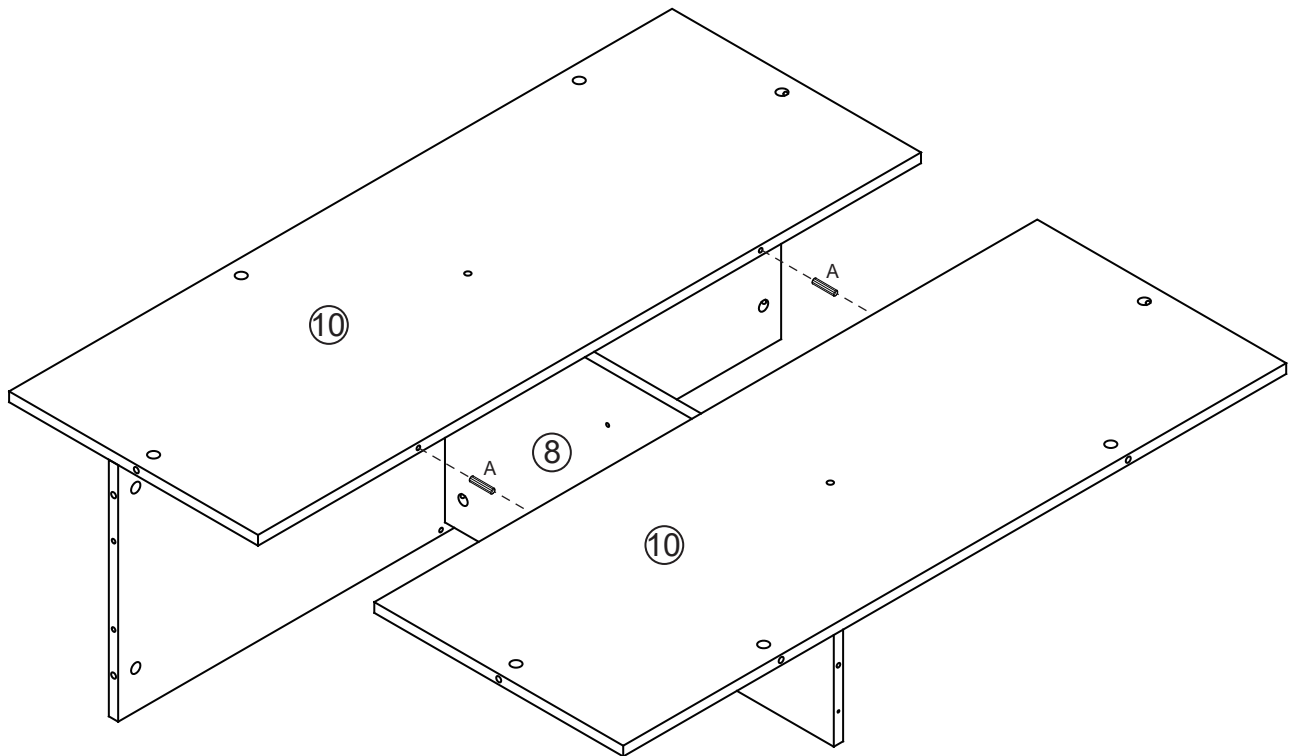
Step 14



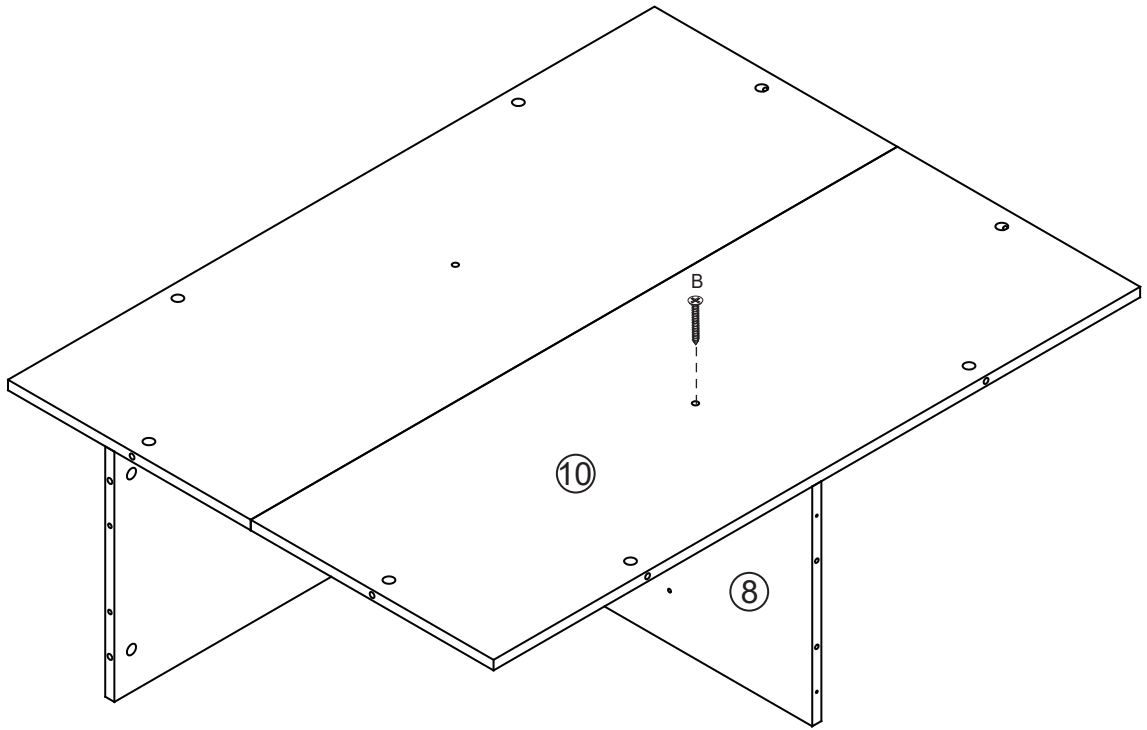
Step 15



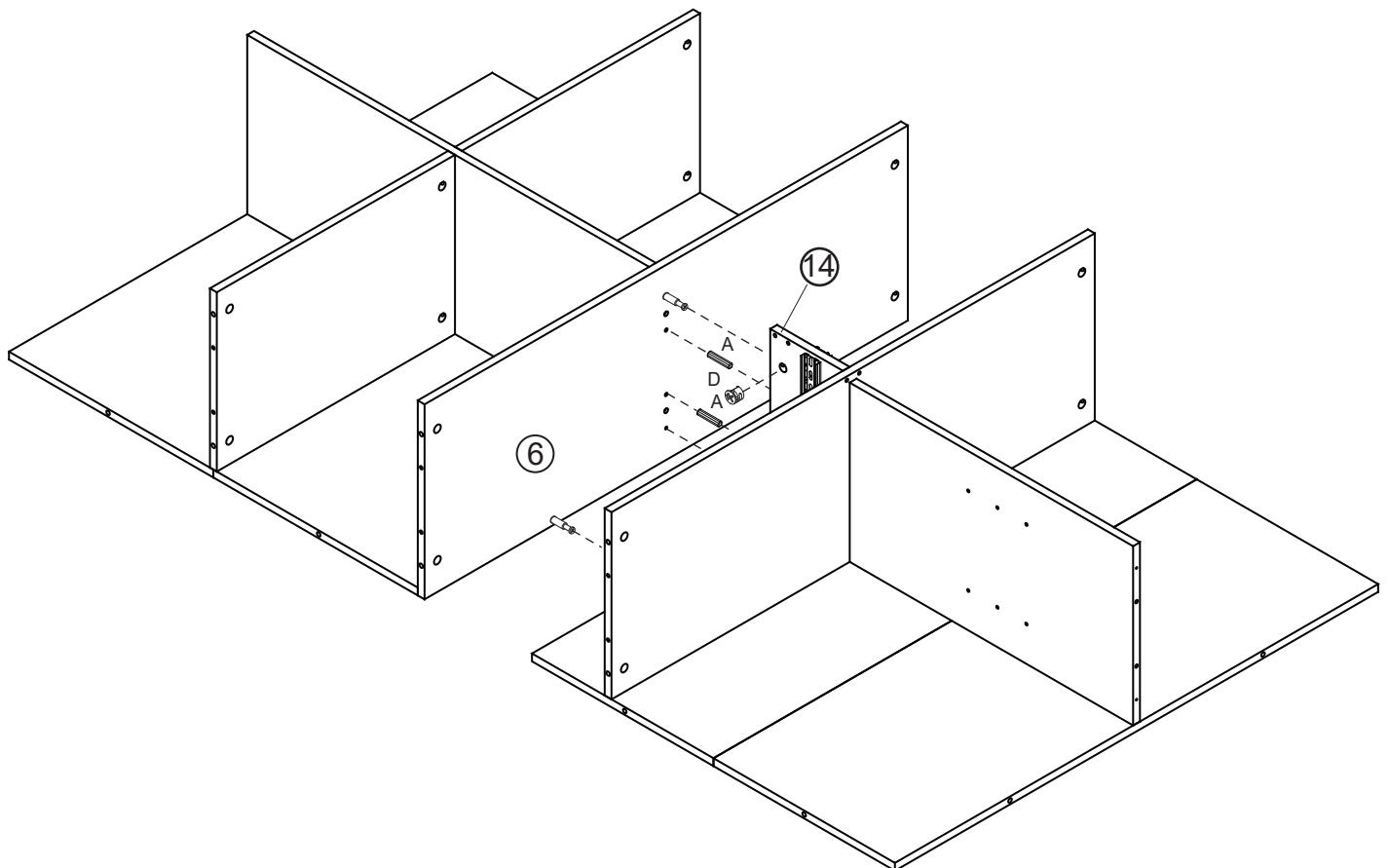
Step 16



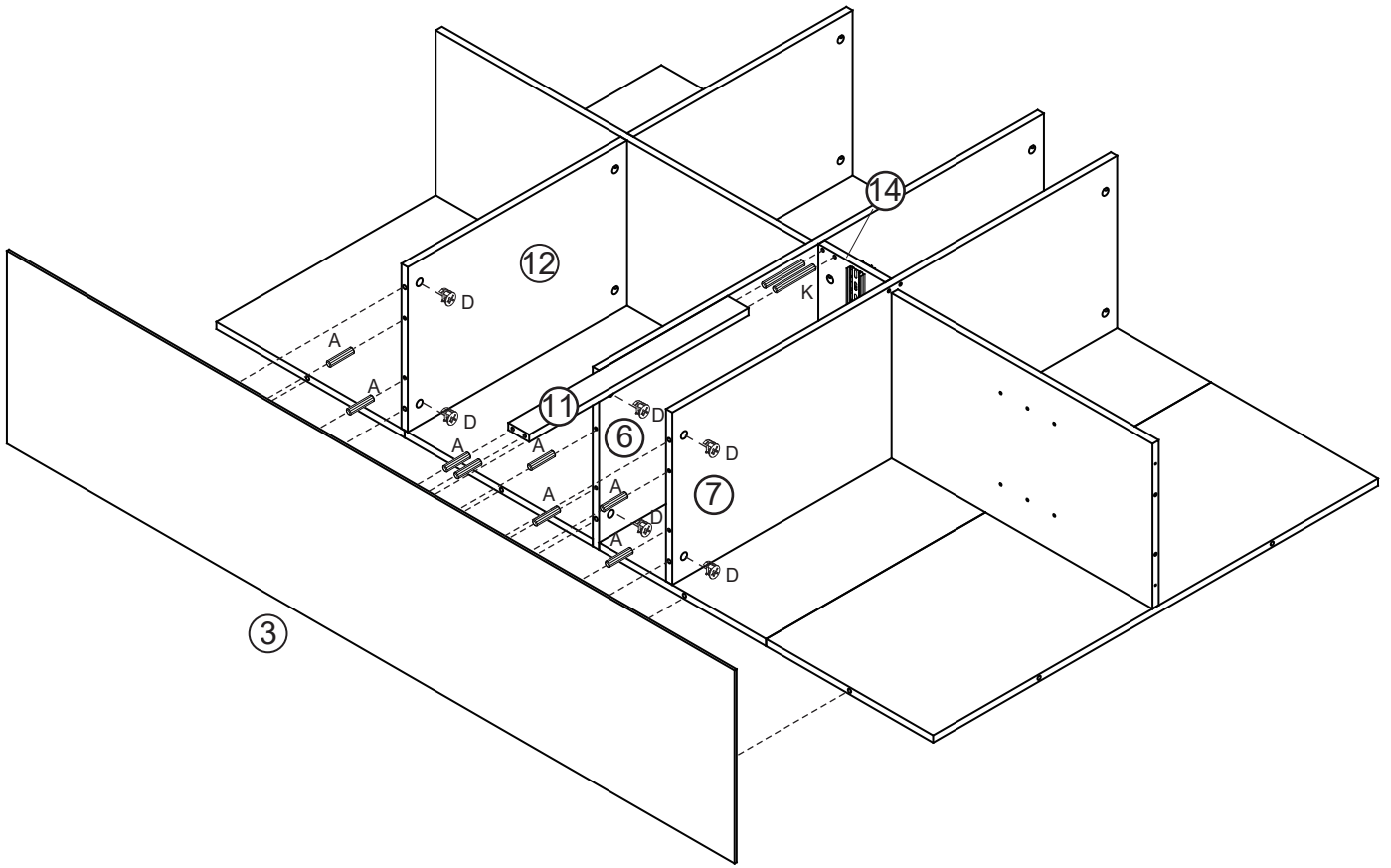
Step 17



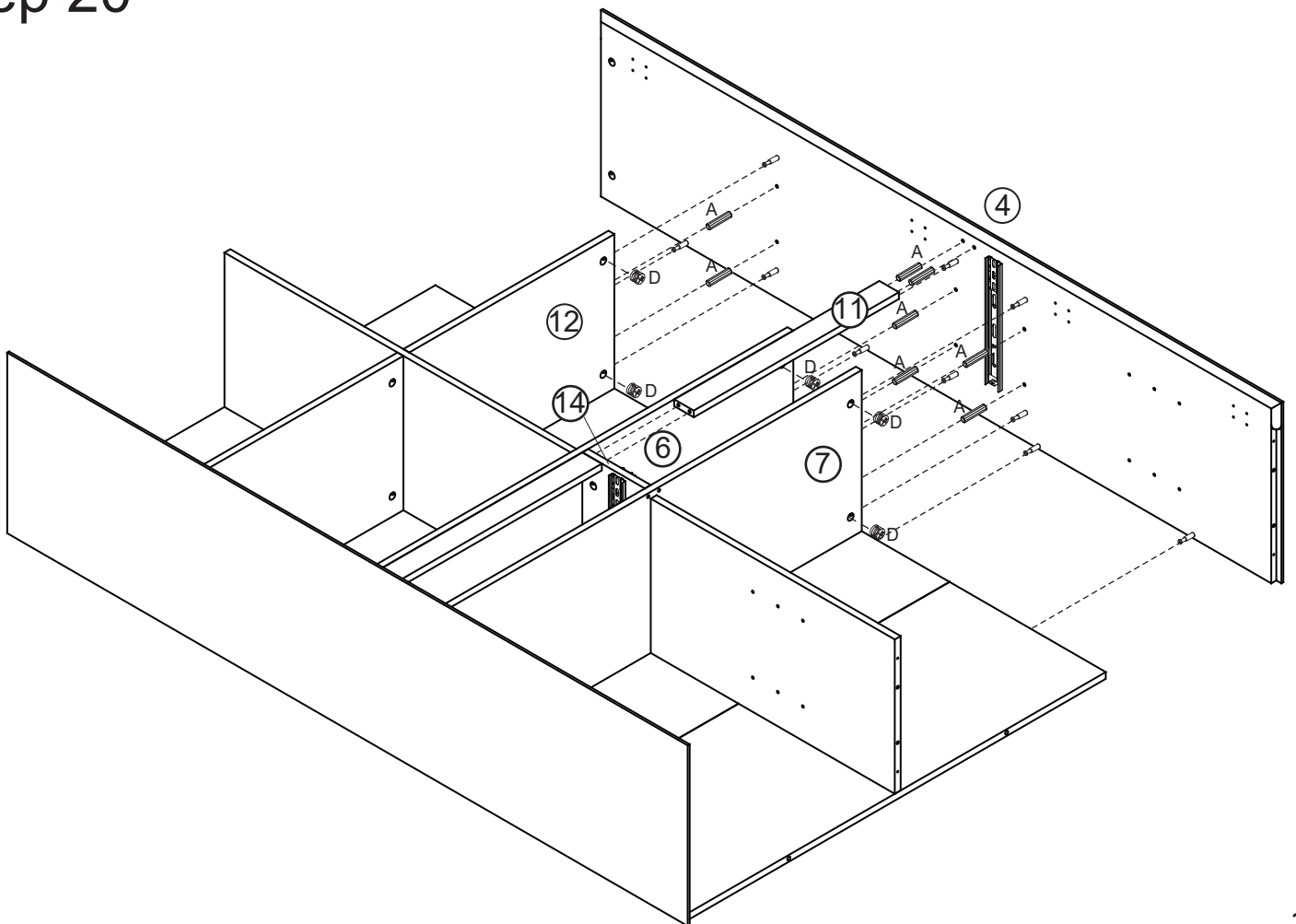
Step 18



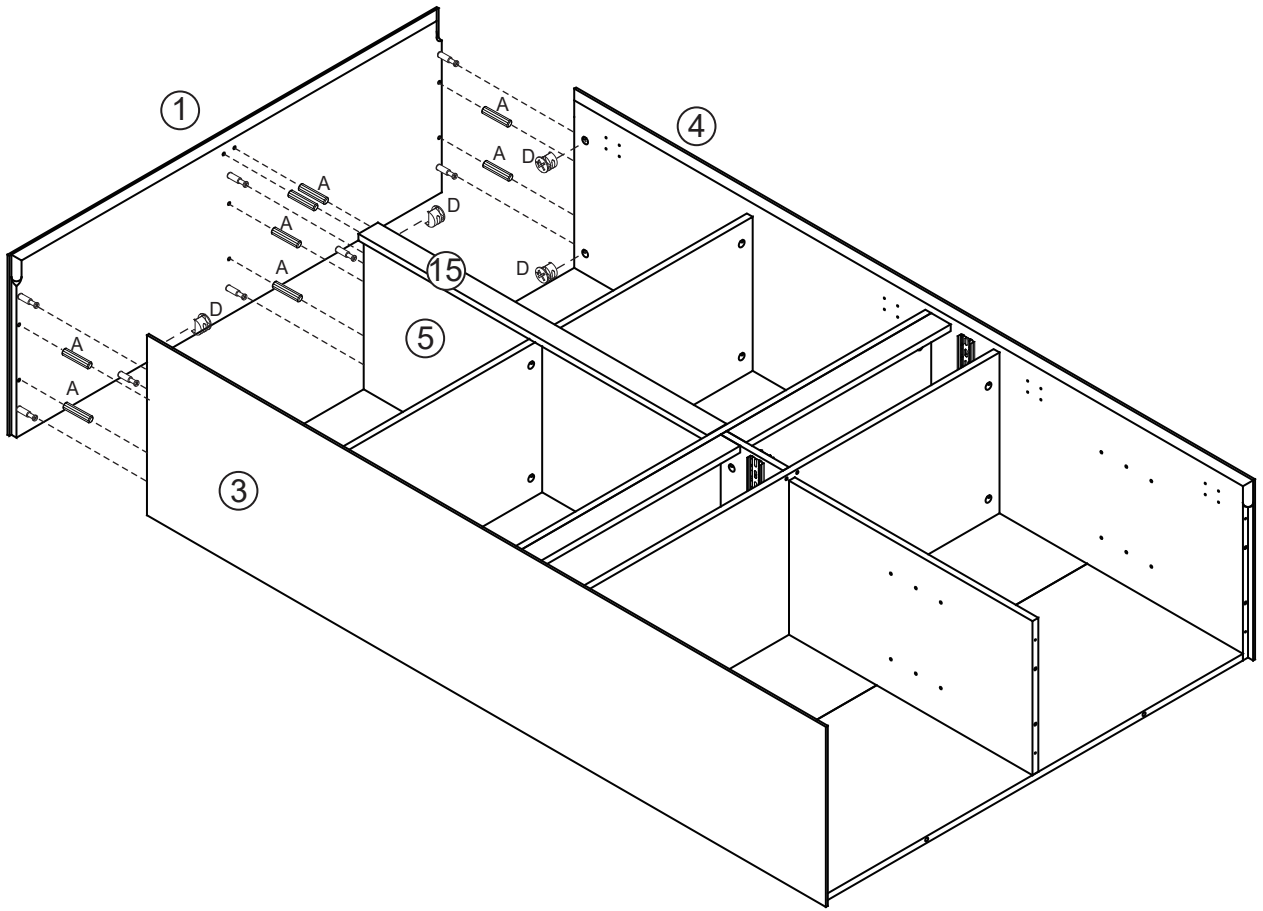
Step 19



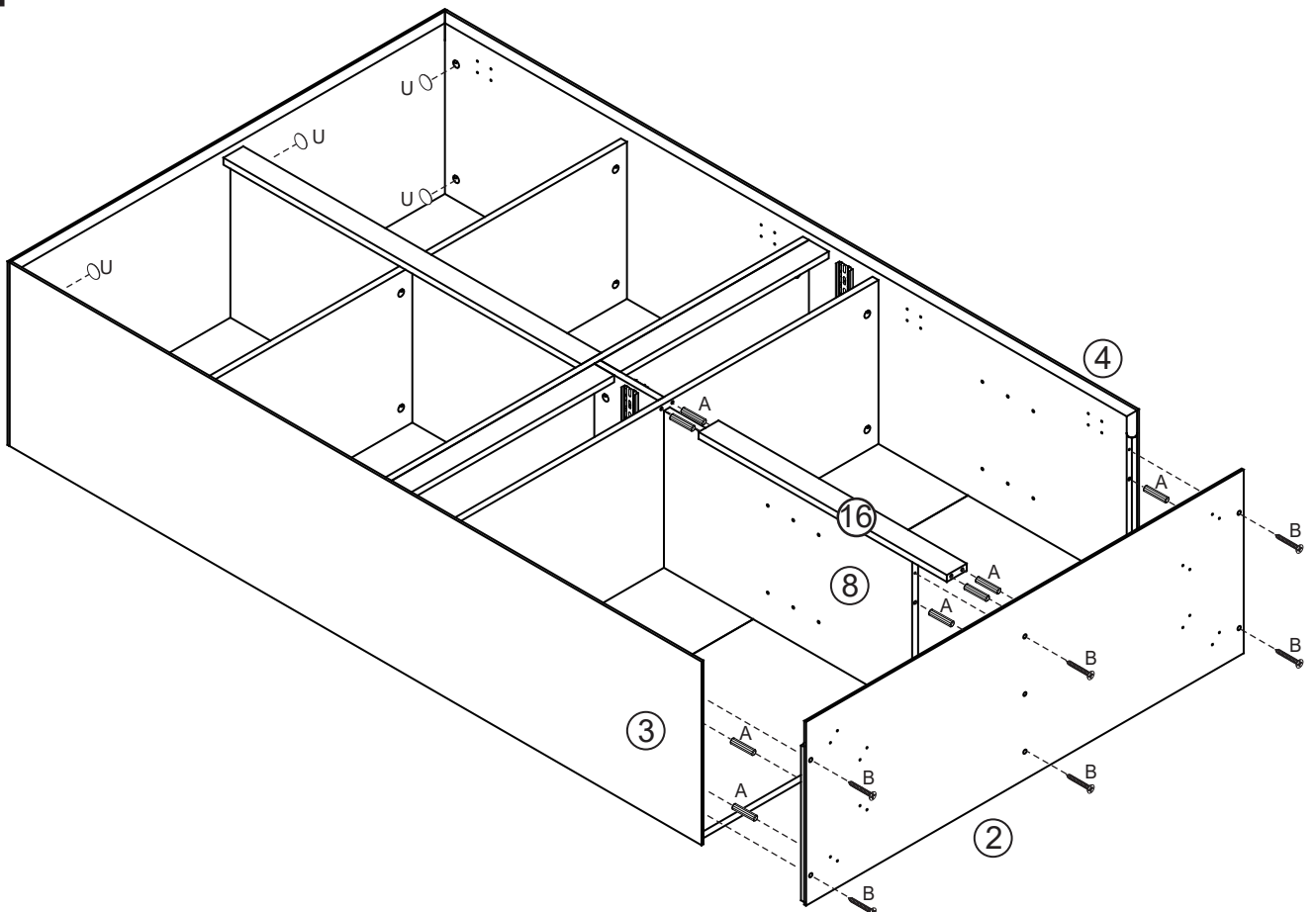
Step 20



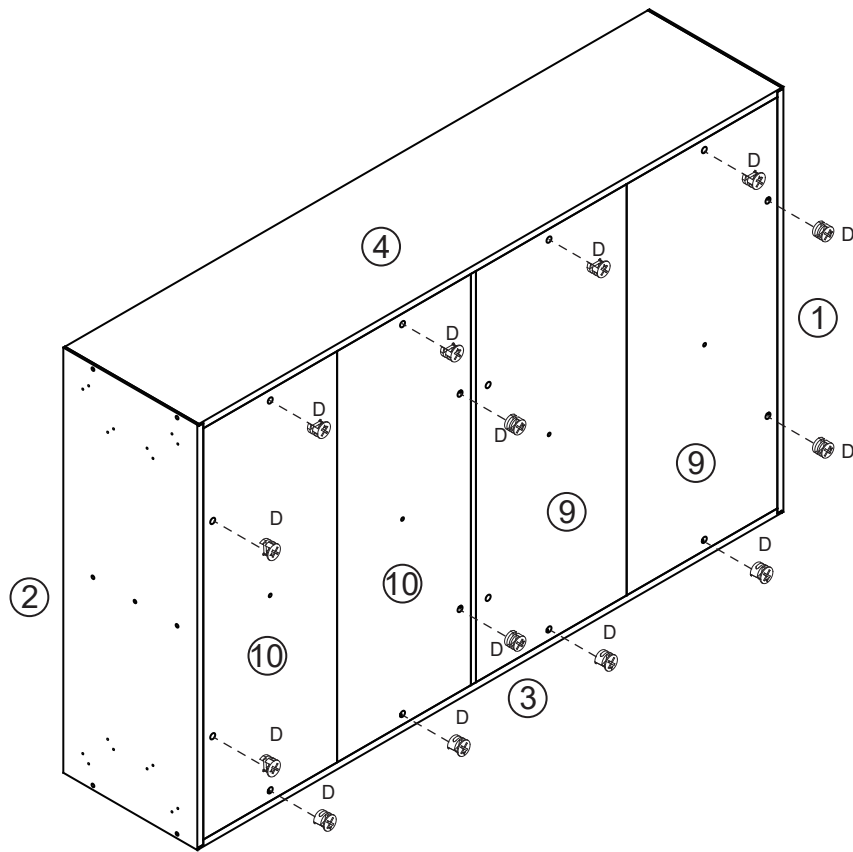
Step 21



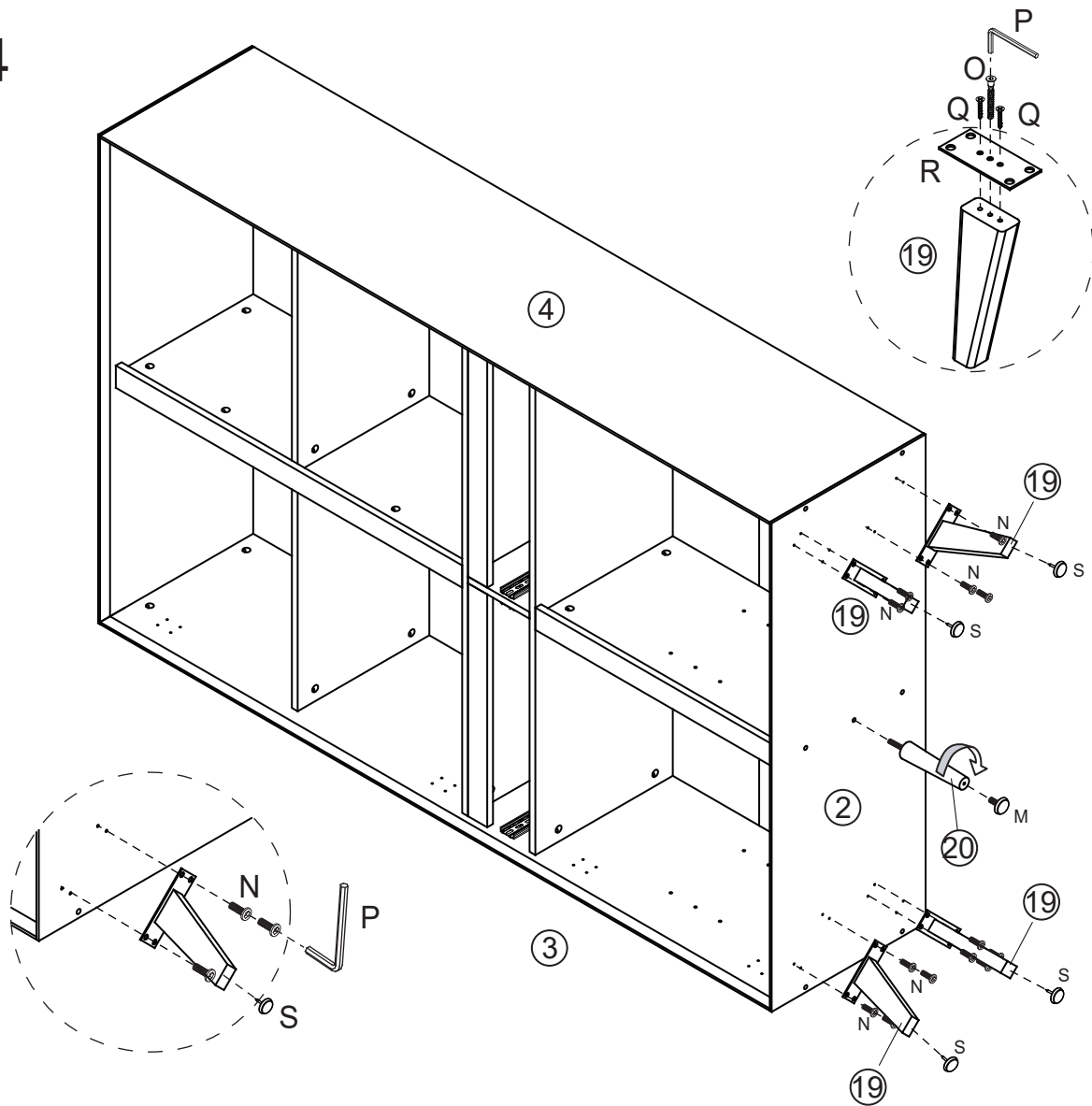
Step 22



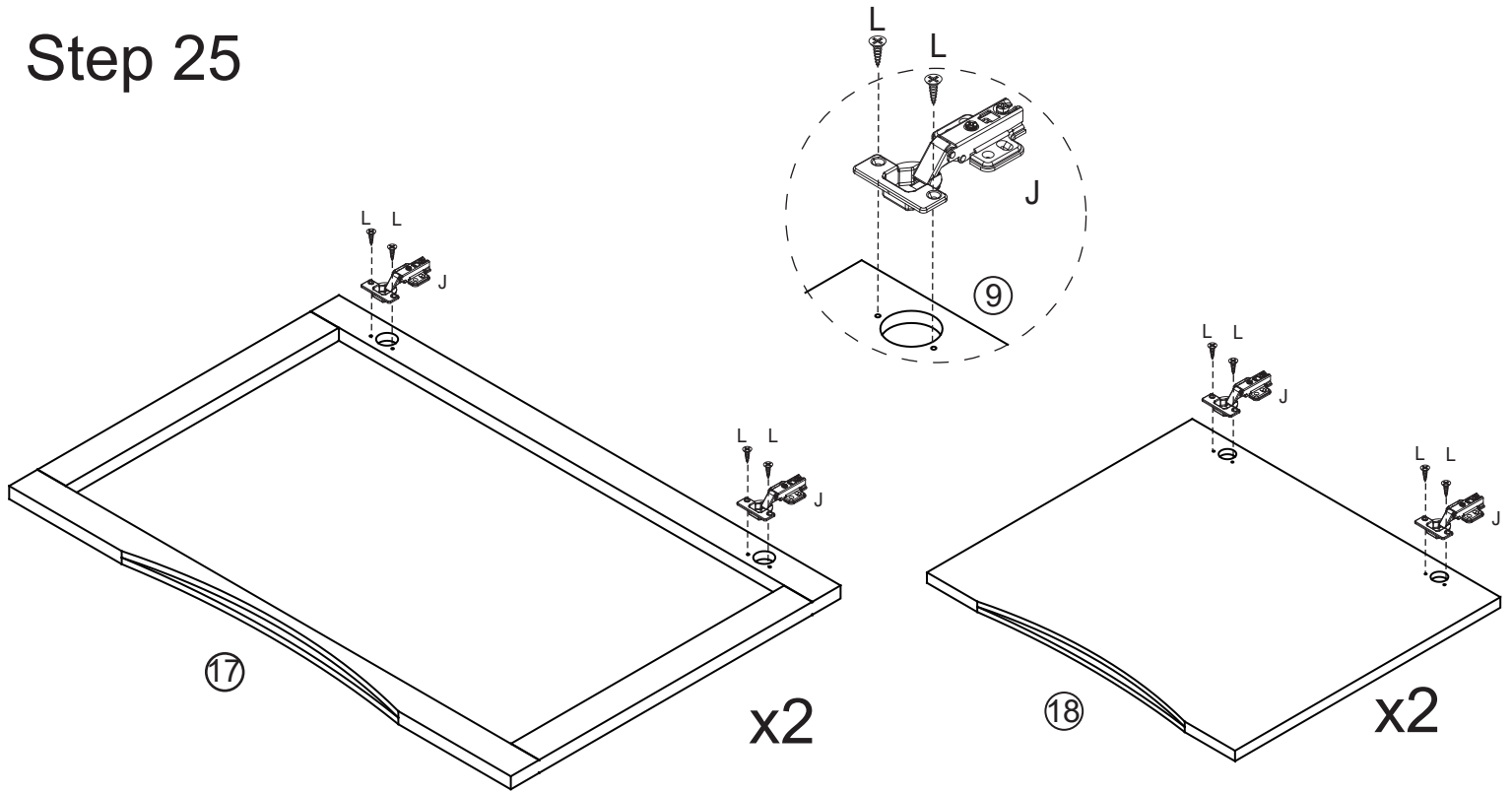
Step 23



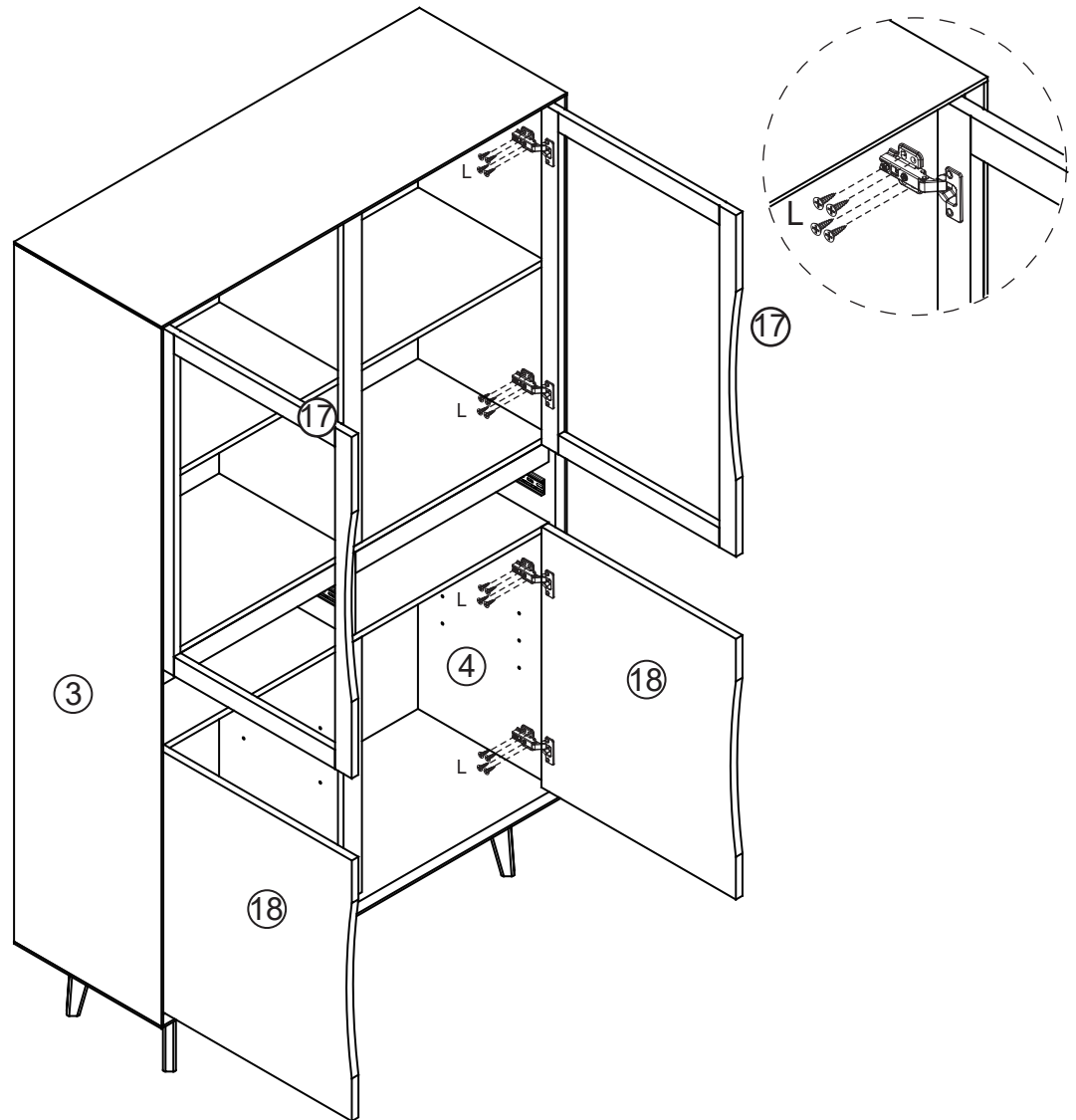
Step 24



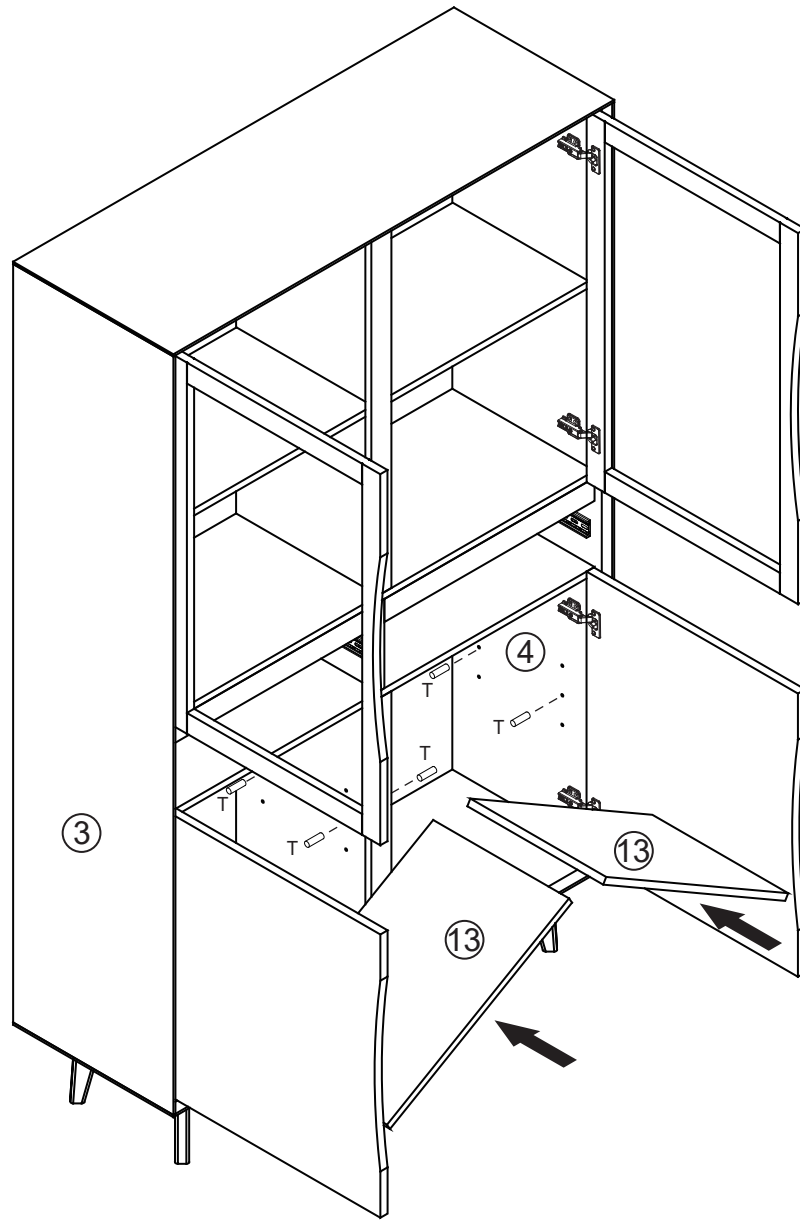
Step 25



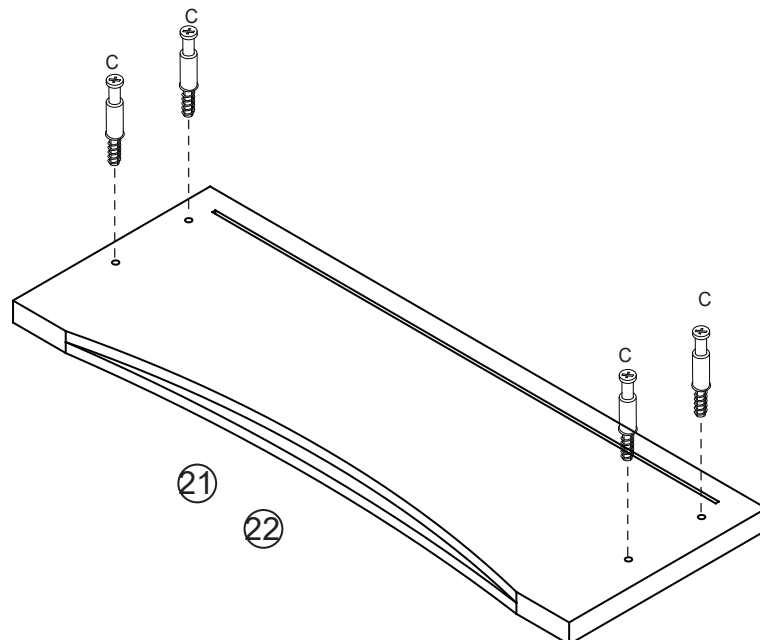
Step 26



Step 27

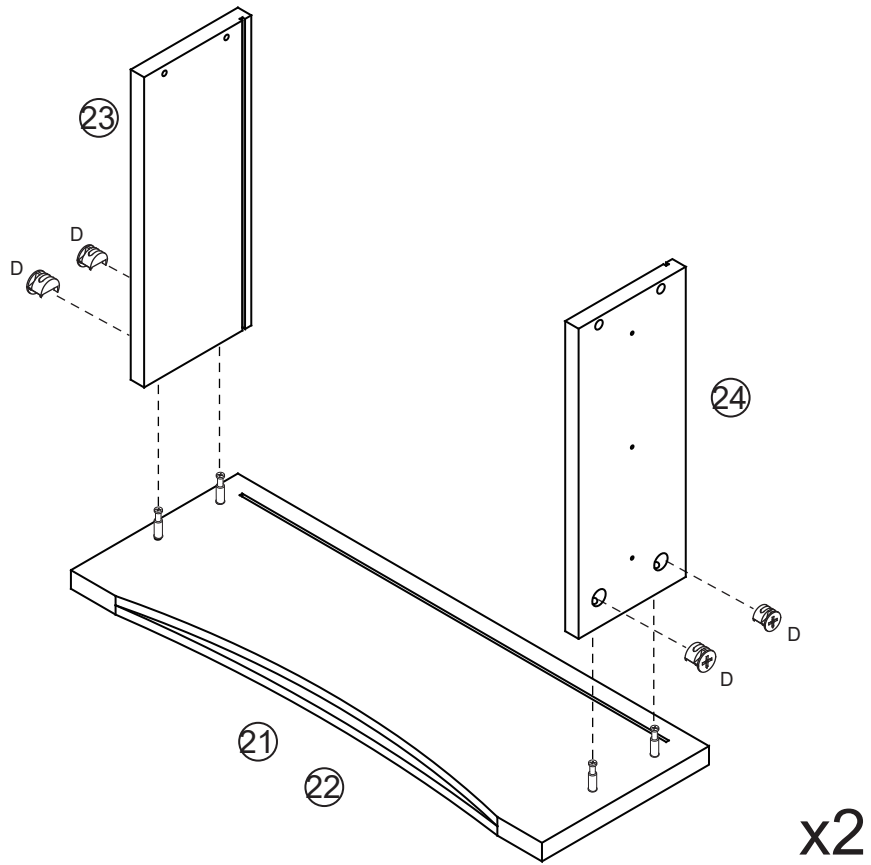


Step 28

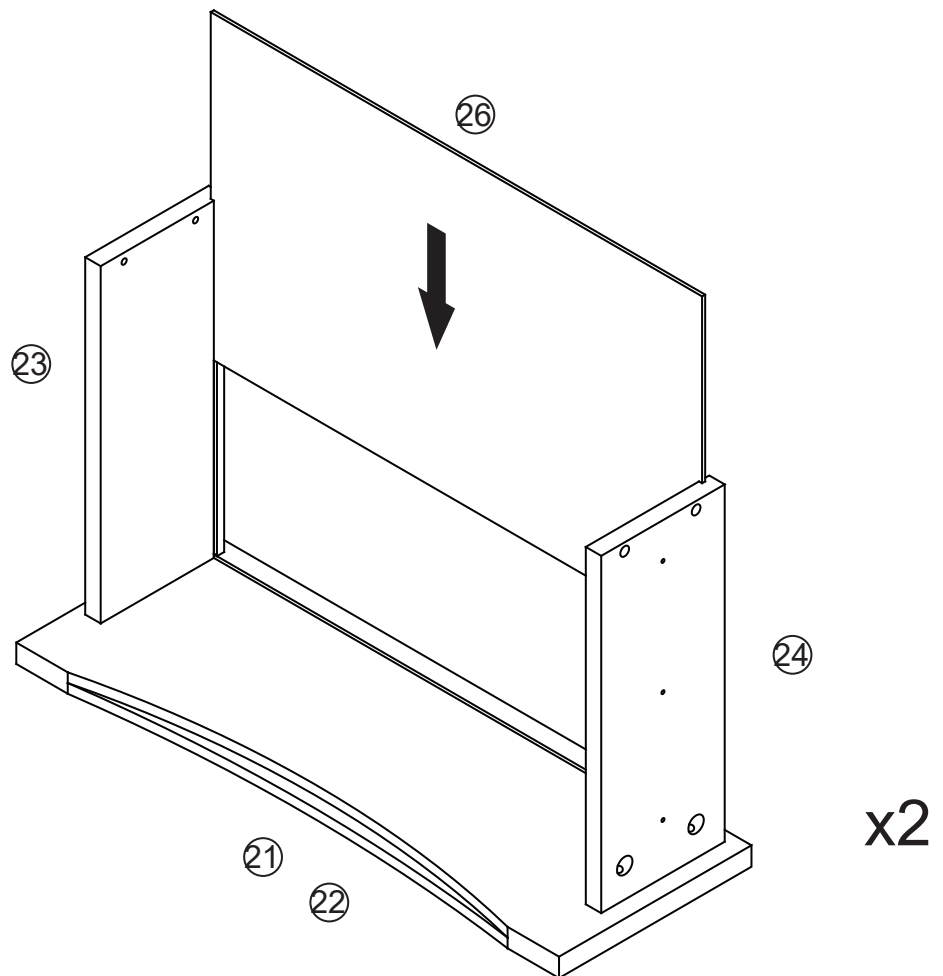


x2

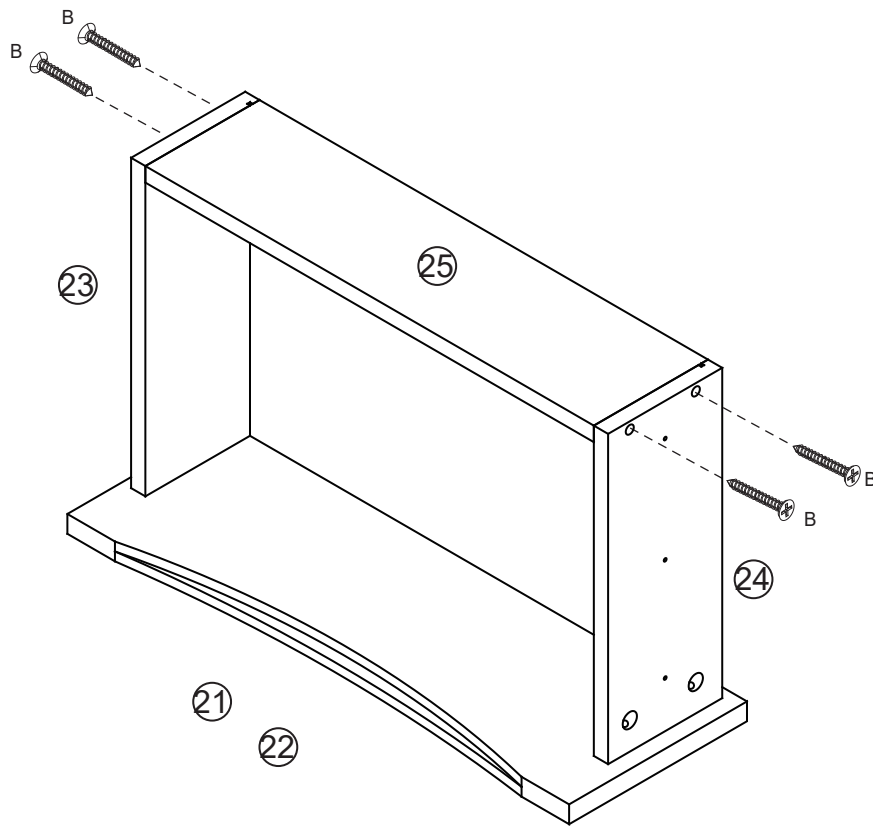
Step 29



Step 30

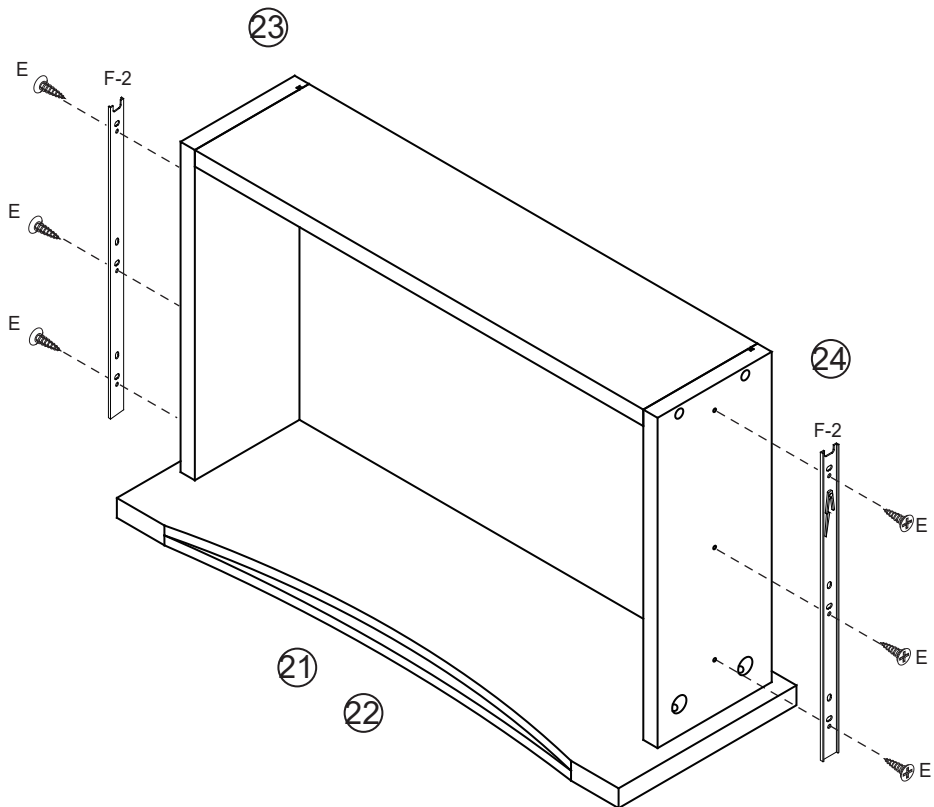


Step 31



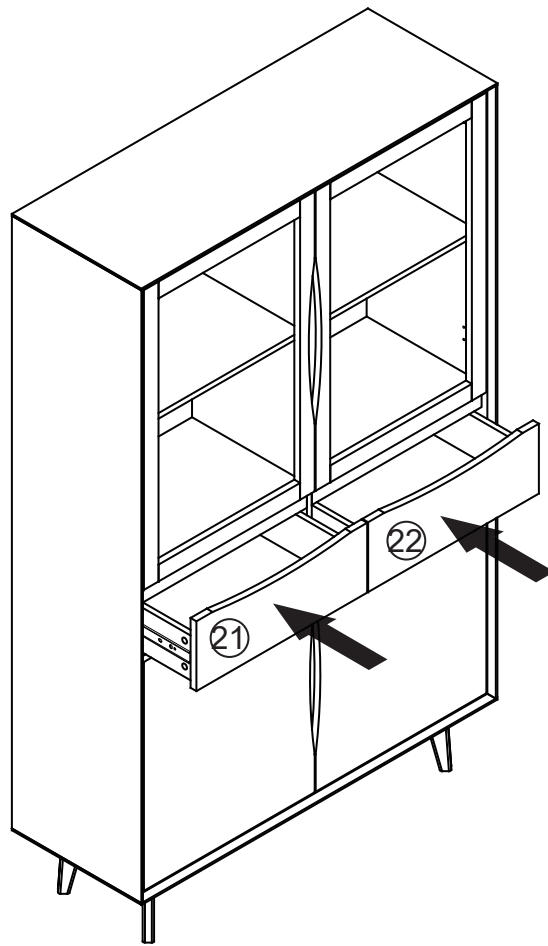
x2

Step 32

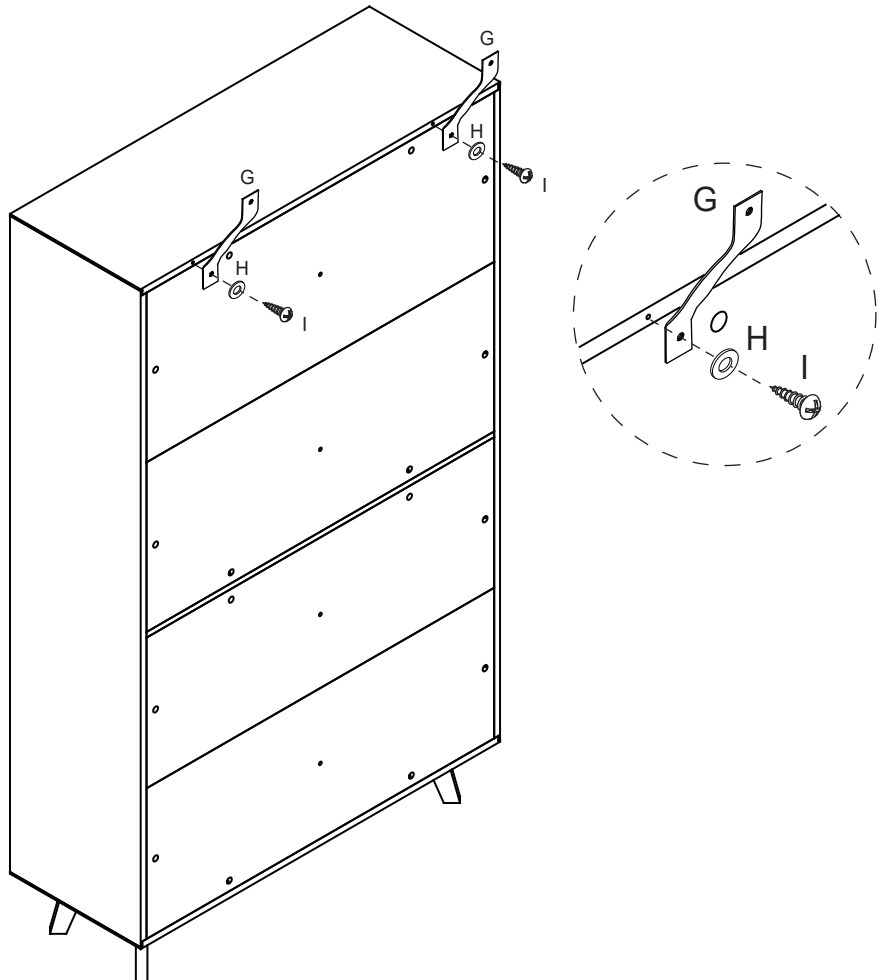


x2

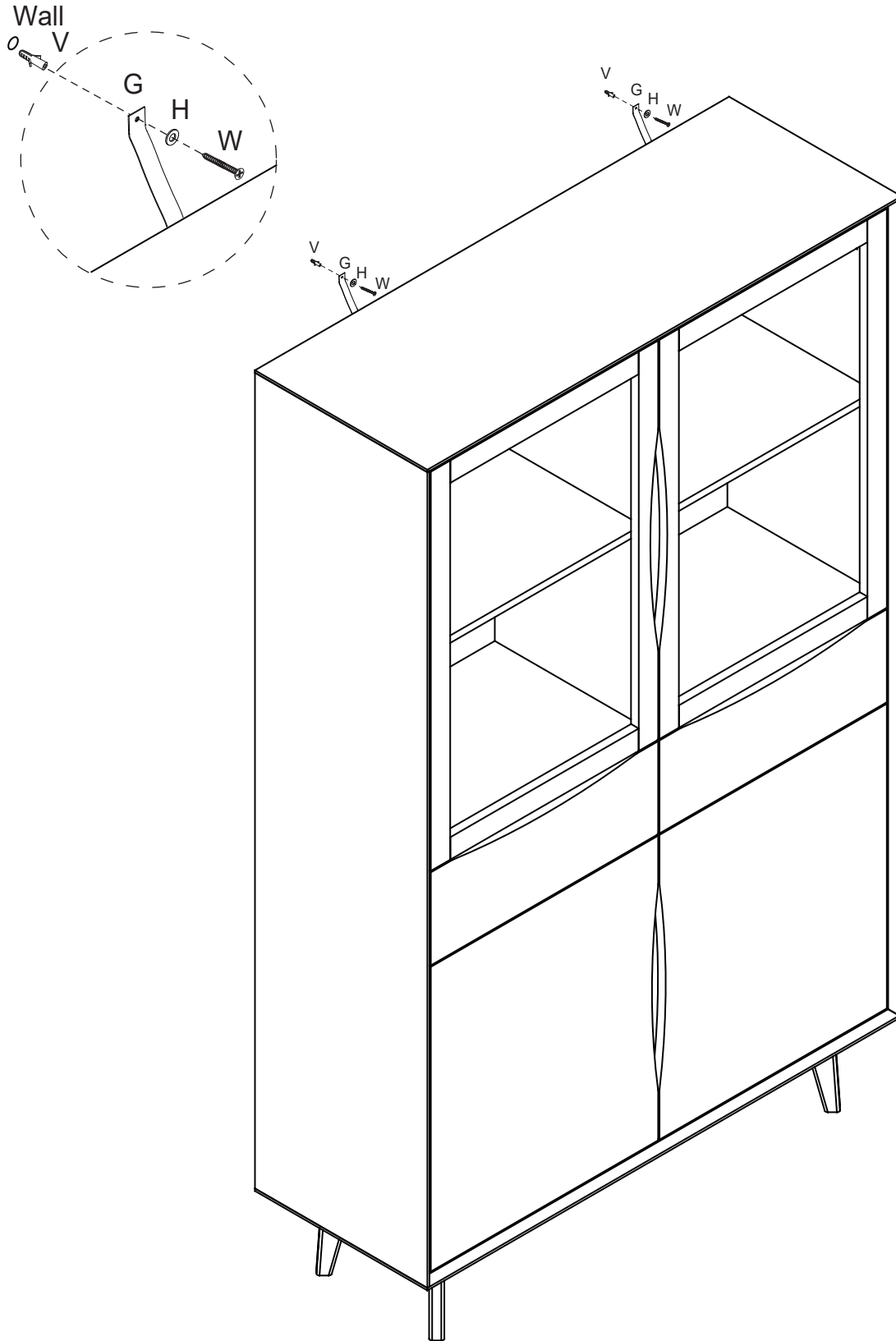
Step 33



Step 34



Step 35



Fasten the safety strap to your wall using appropriate fixings for your wall type. If you are unsure, please seek professional advice on how to attach this safety strap to your specific wall.