
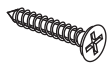
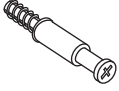


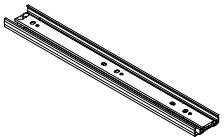
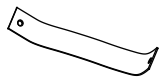
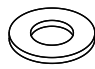
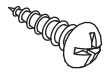
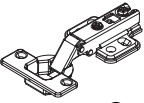
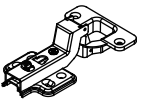
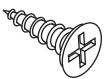

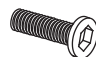

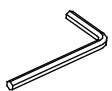
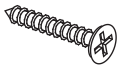
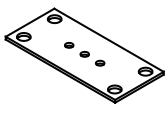
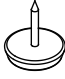



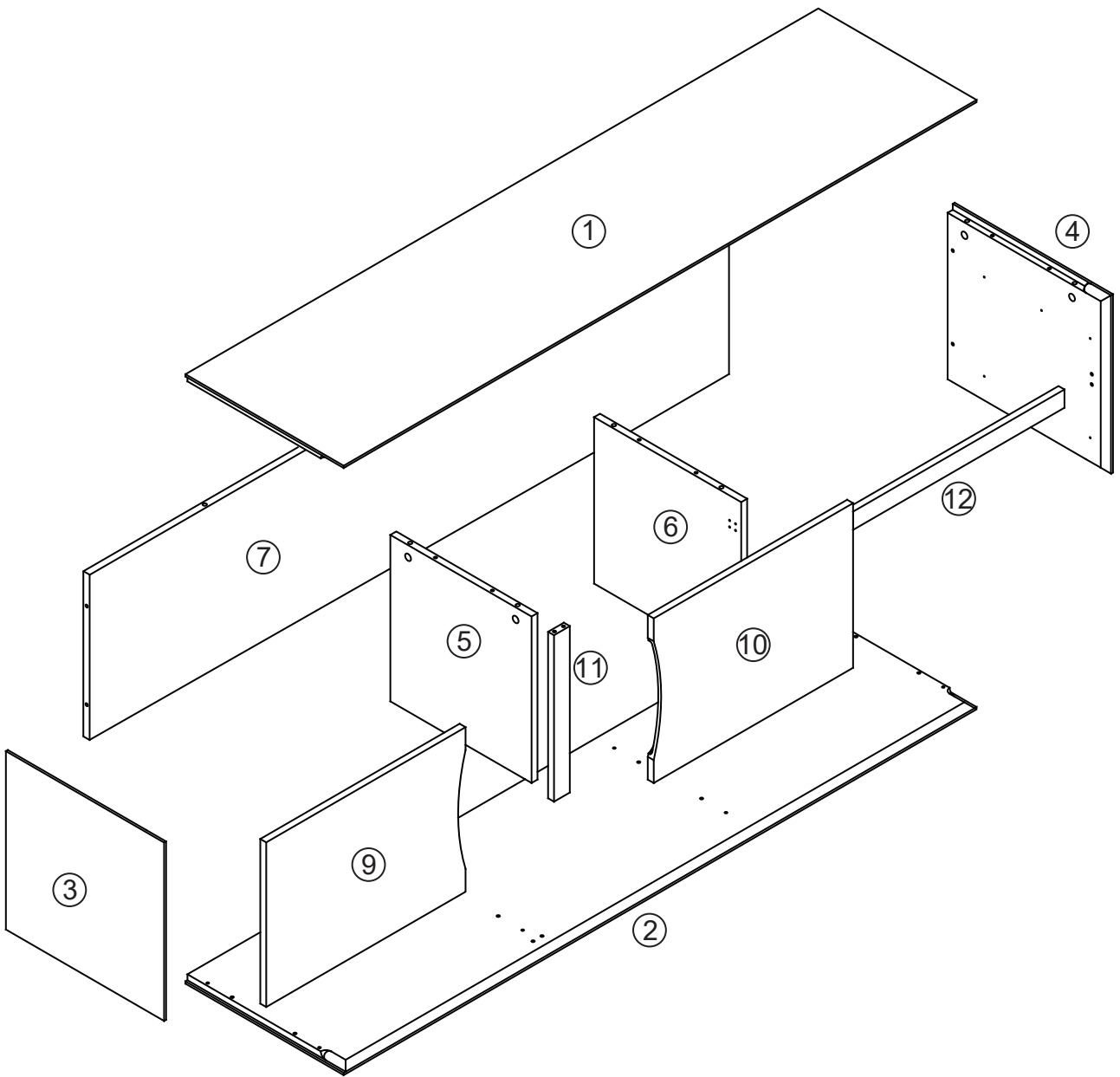


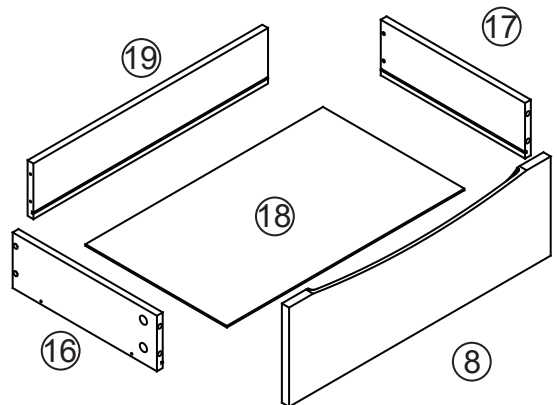
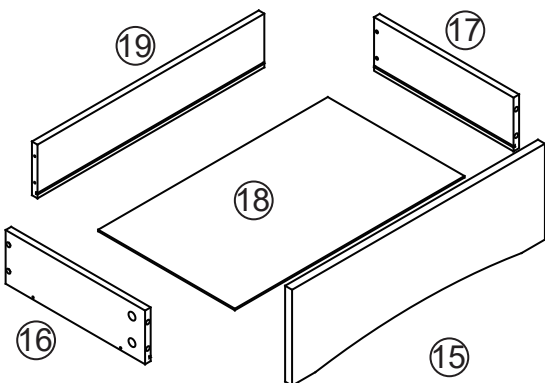
Parts and Hardware List

<p>A</p>  <p>22 pcs</p>	<p>B</p>  <p>16 pcs</p>	<p>C</p>  <p>28 pcs</p>	<p>D</p>  <p>28 pcs</p>	<p>E</p>  <p>24 pcs</p>
<p>F</p>  <p>4 pcs</p>	<p>G</p>  <p>1 pc</p>	<p>H</p>  <p>2 pcs</p>	<p>I</p>  <p>1 pc</p>	<p>J</p>  <p>2 pcs</p>
<p>K</p>  <p>2 pcs</p>	<p>L</p>  <p>24 pcs</p>	<p>M</p>  <p>2 pcs</p>	<p>N</p>  <p>16 pcs</p>	<p>O</p>  <p>4 pcs</p>
<p>P</p>  <p>1 pc</p>	<p>Q</p>  <p>8 pcs</p>	<p>R</p>  <p>4 pcs</p>	<p>S</p>  <p>4 pcs</p>	<p>T</p>  <p>4 pcs</p>
<p>U</p>  <p>1 pc</p>	<p>V</p>  <p>1 pc</p>			

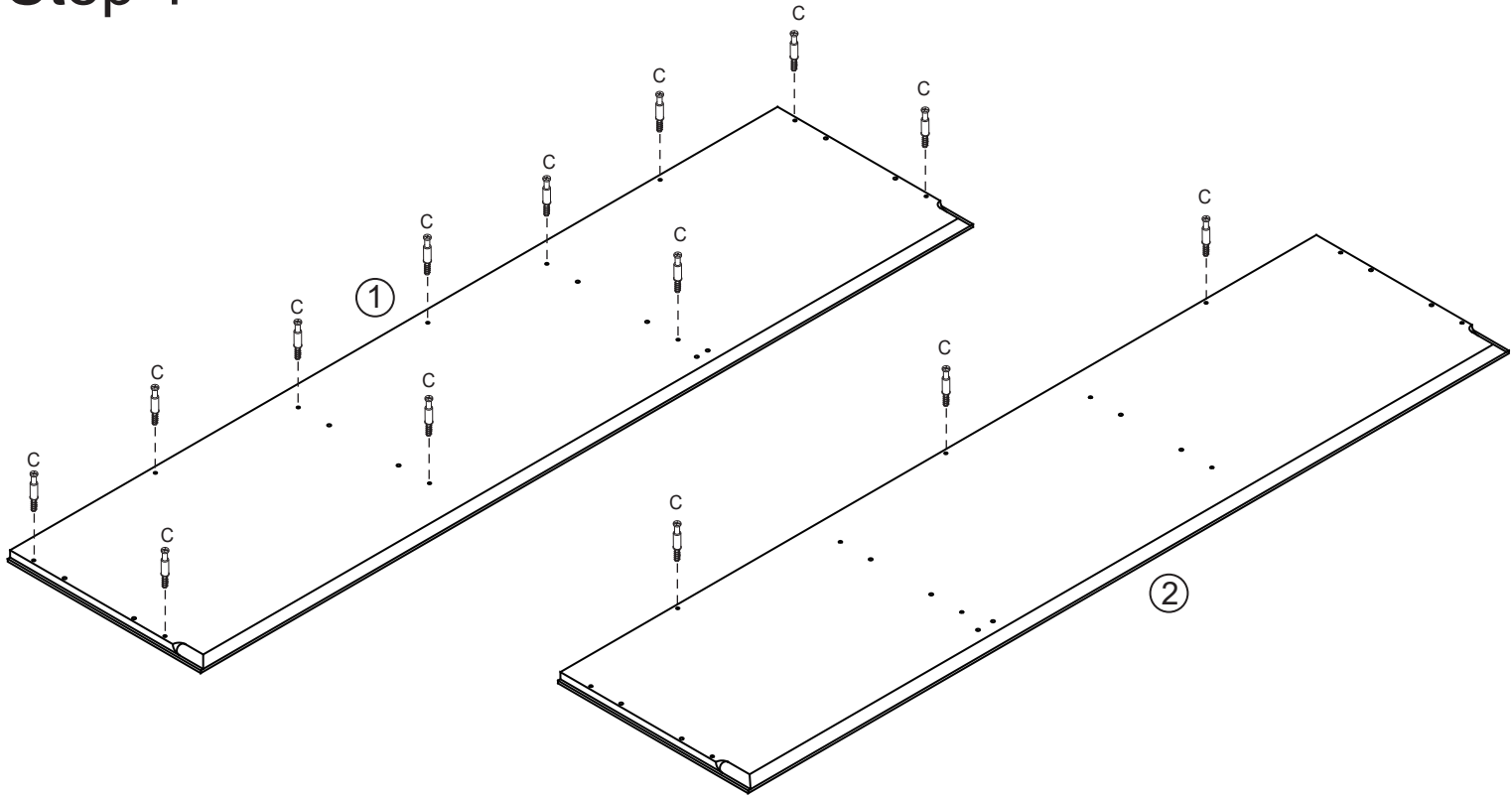


⑬ x4

⑭ x2

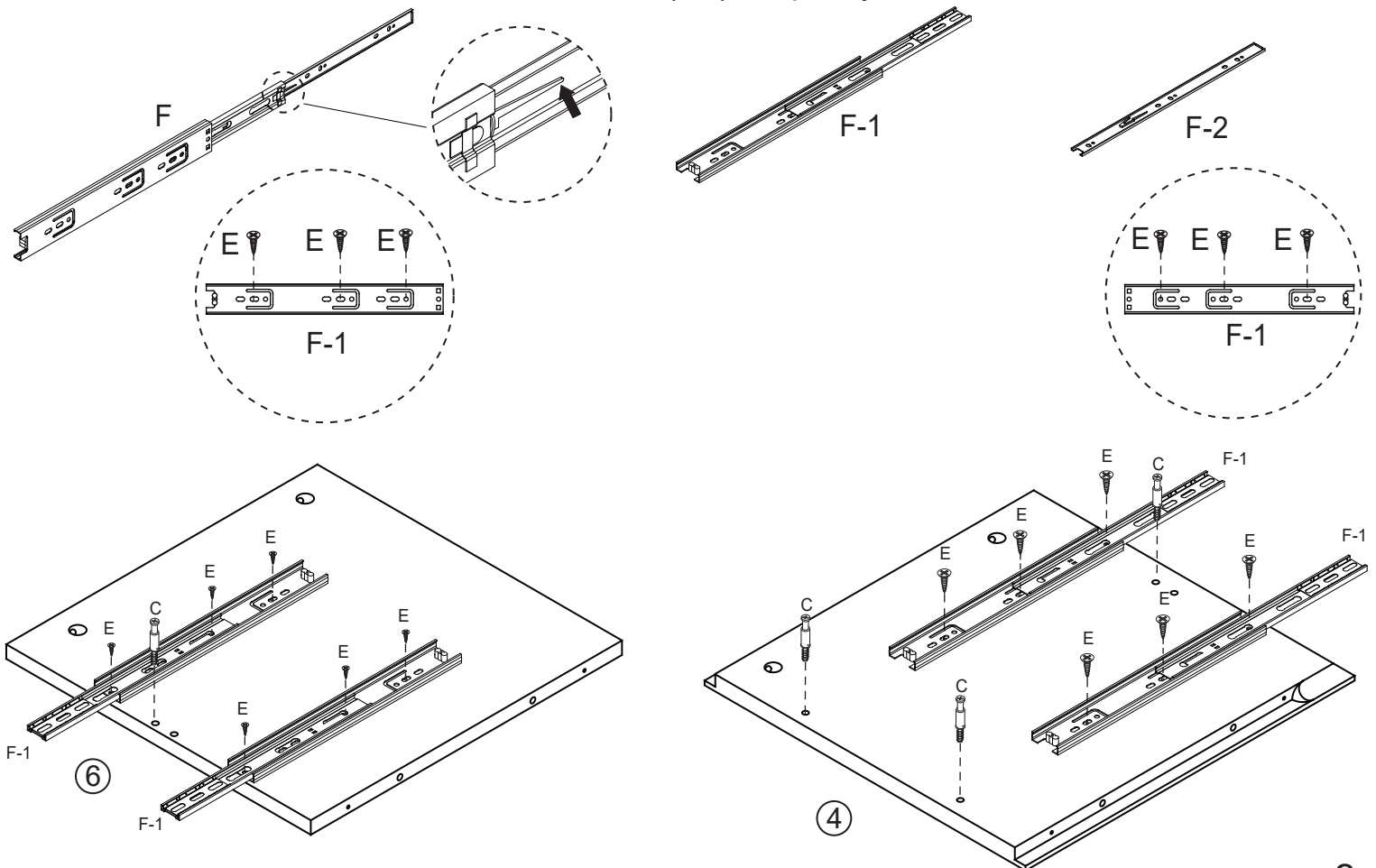


Step 1

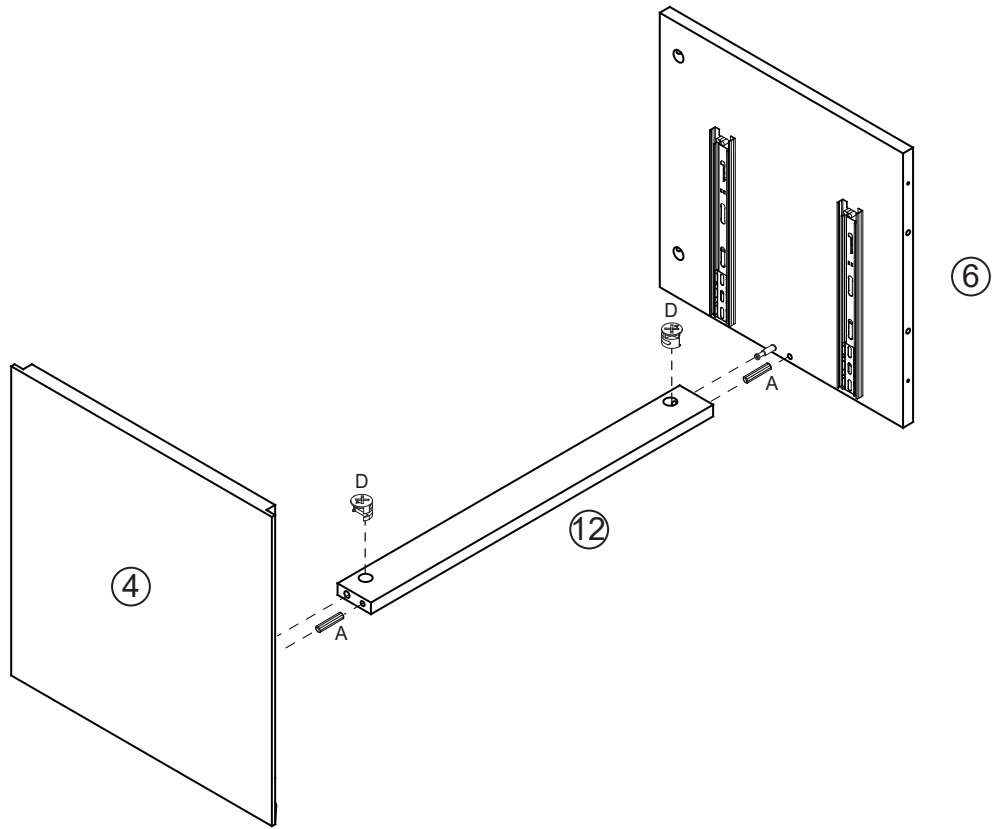


Step 2

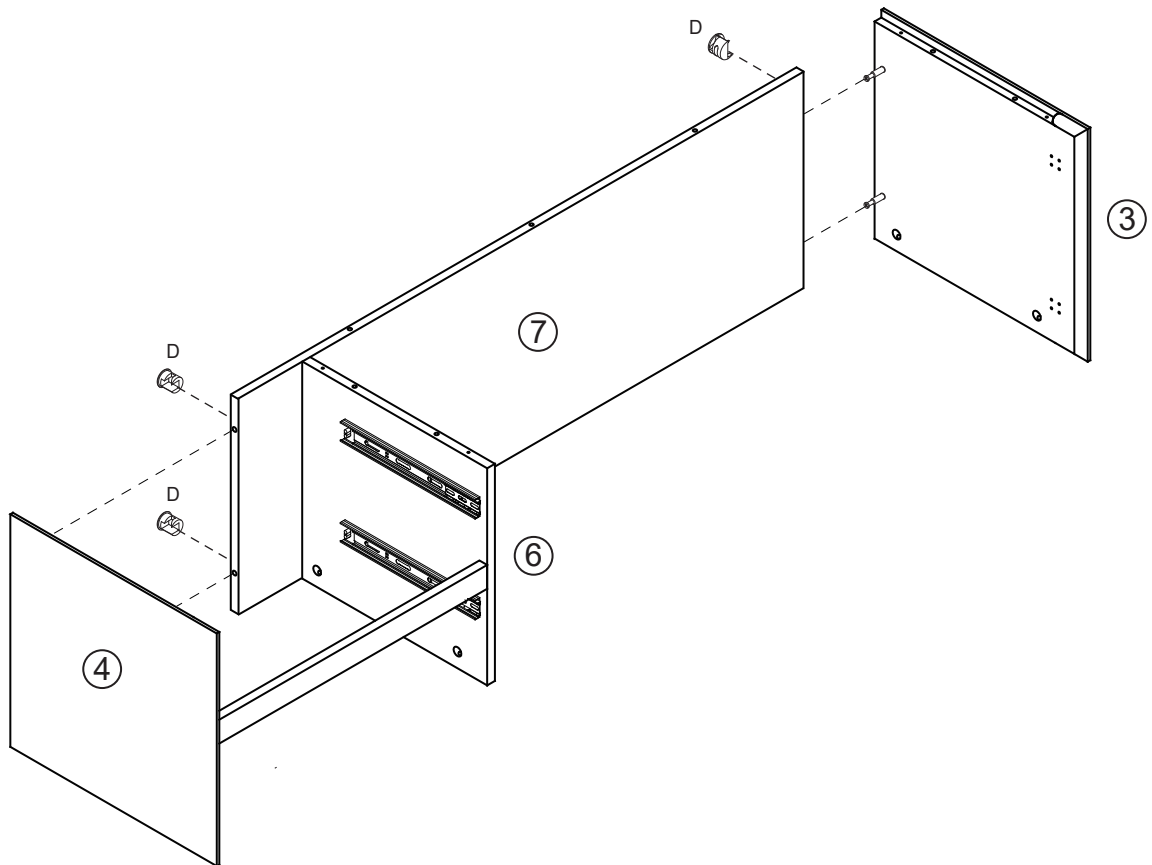
Separate the slide runners (F-2) and slide tracks (F-1) from slide (F) by following the steps below. Extend the slide runner all the way forward. Press the plastic release lever of the slide down and pull the slide runner (F-2) completely out.



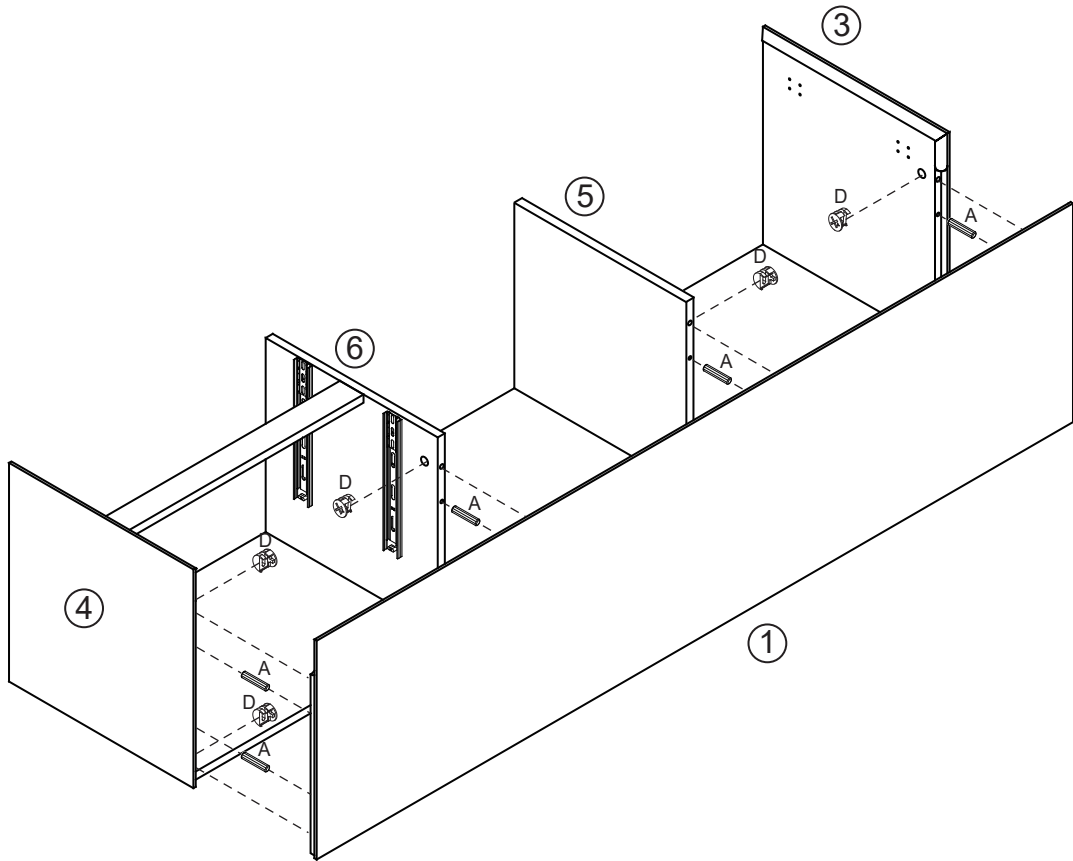
Step 3



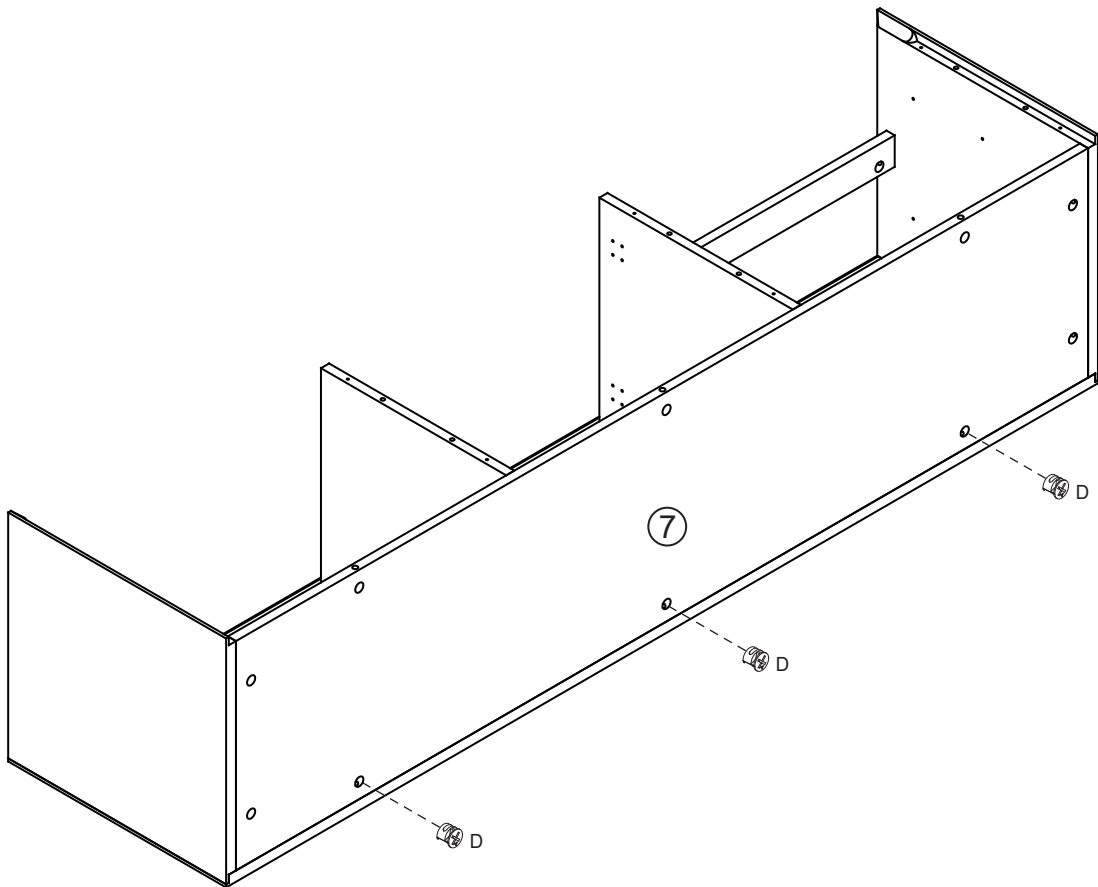
Step 4



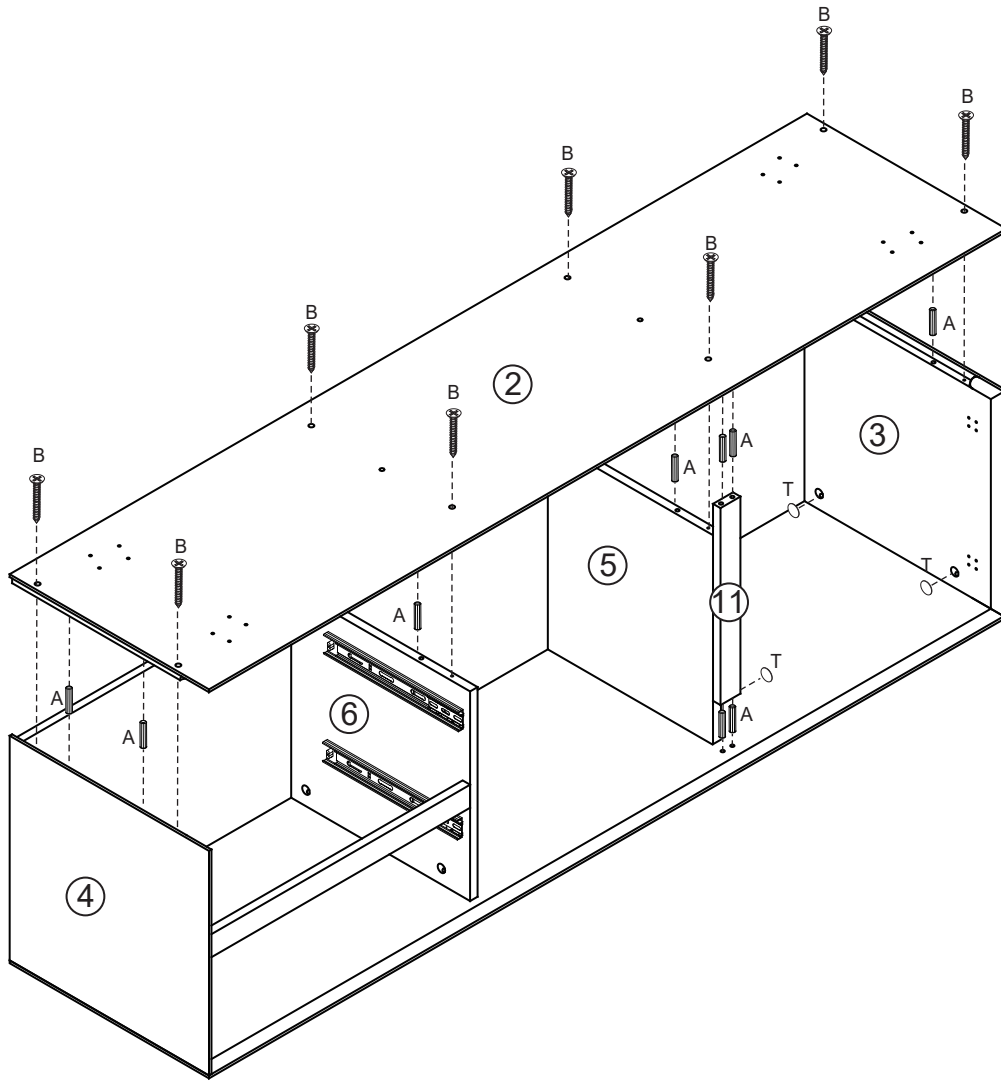
Step 5



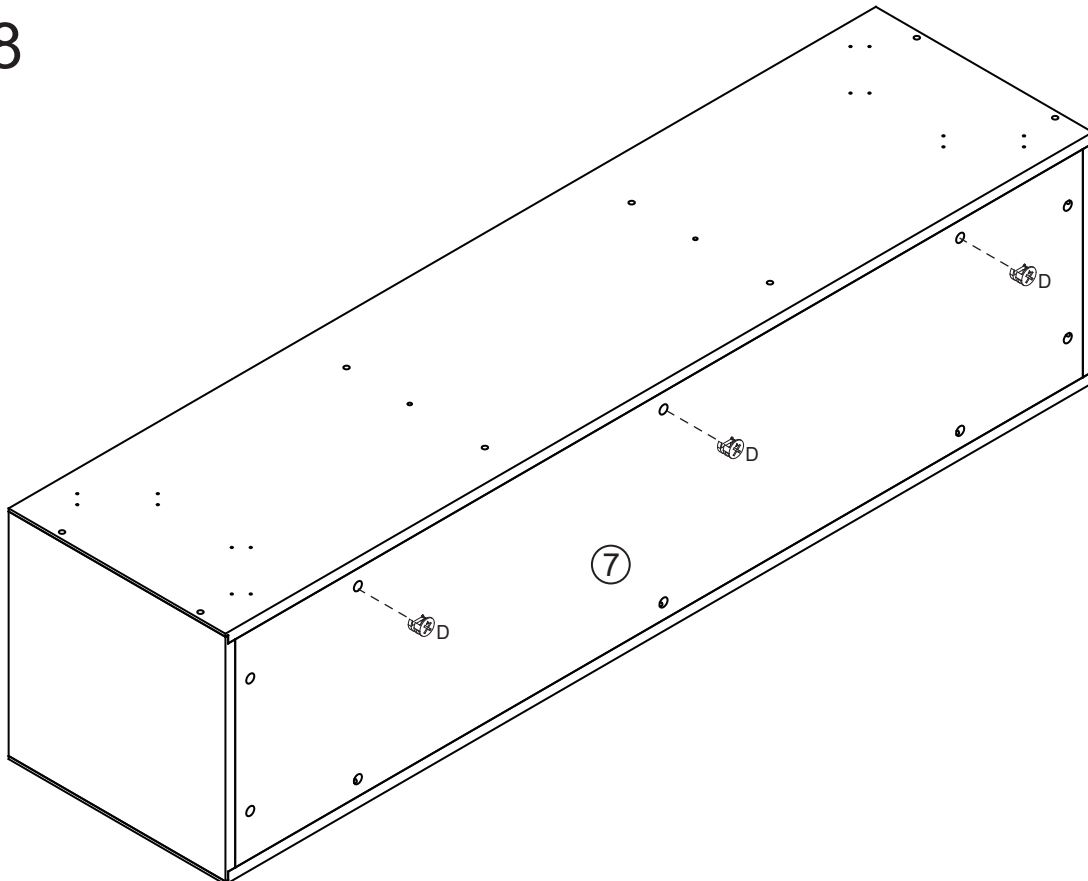
Step 6



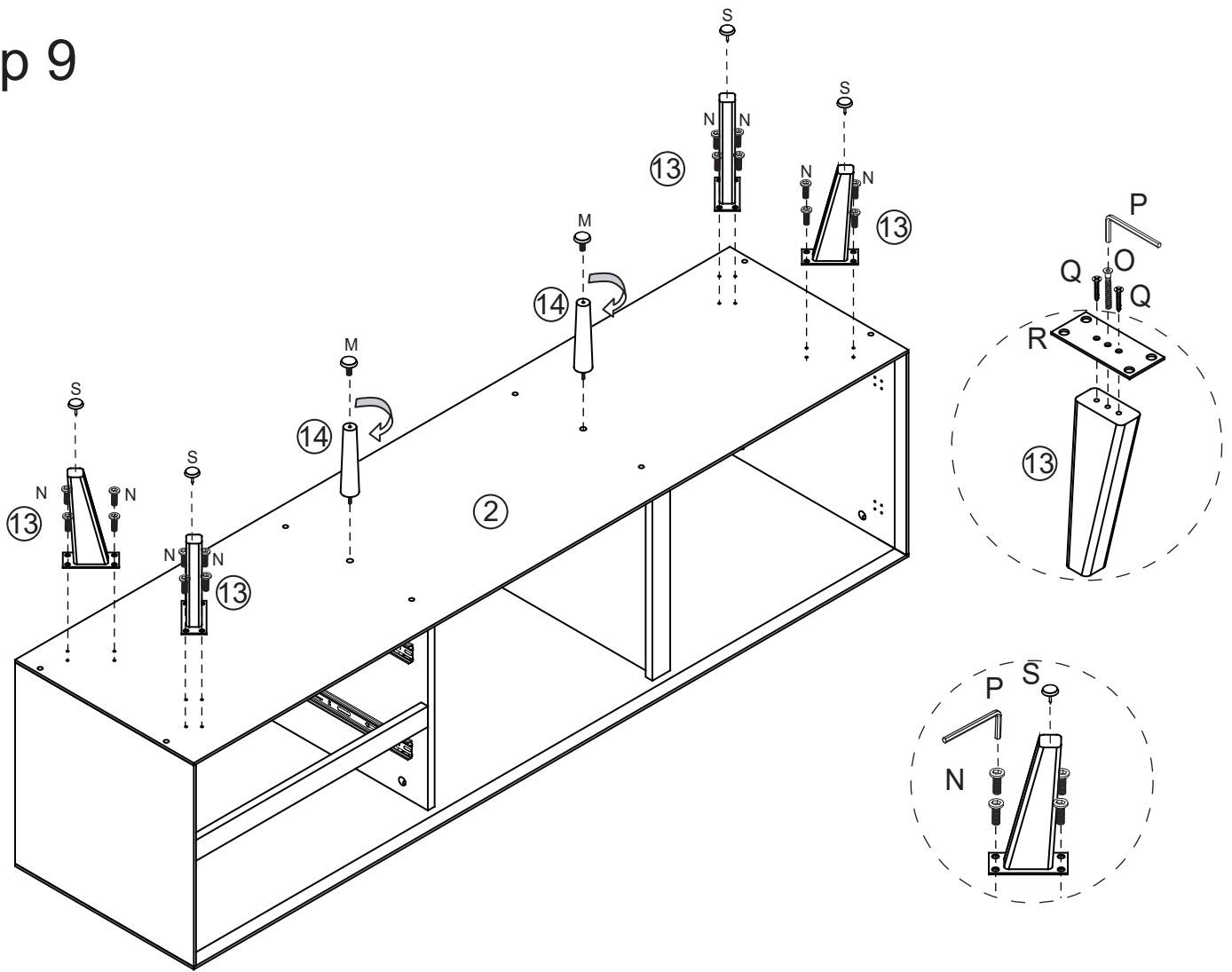
Step 7



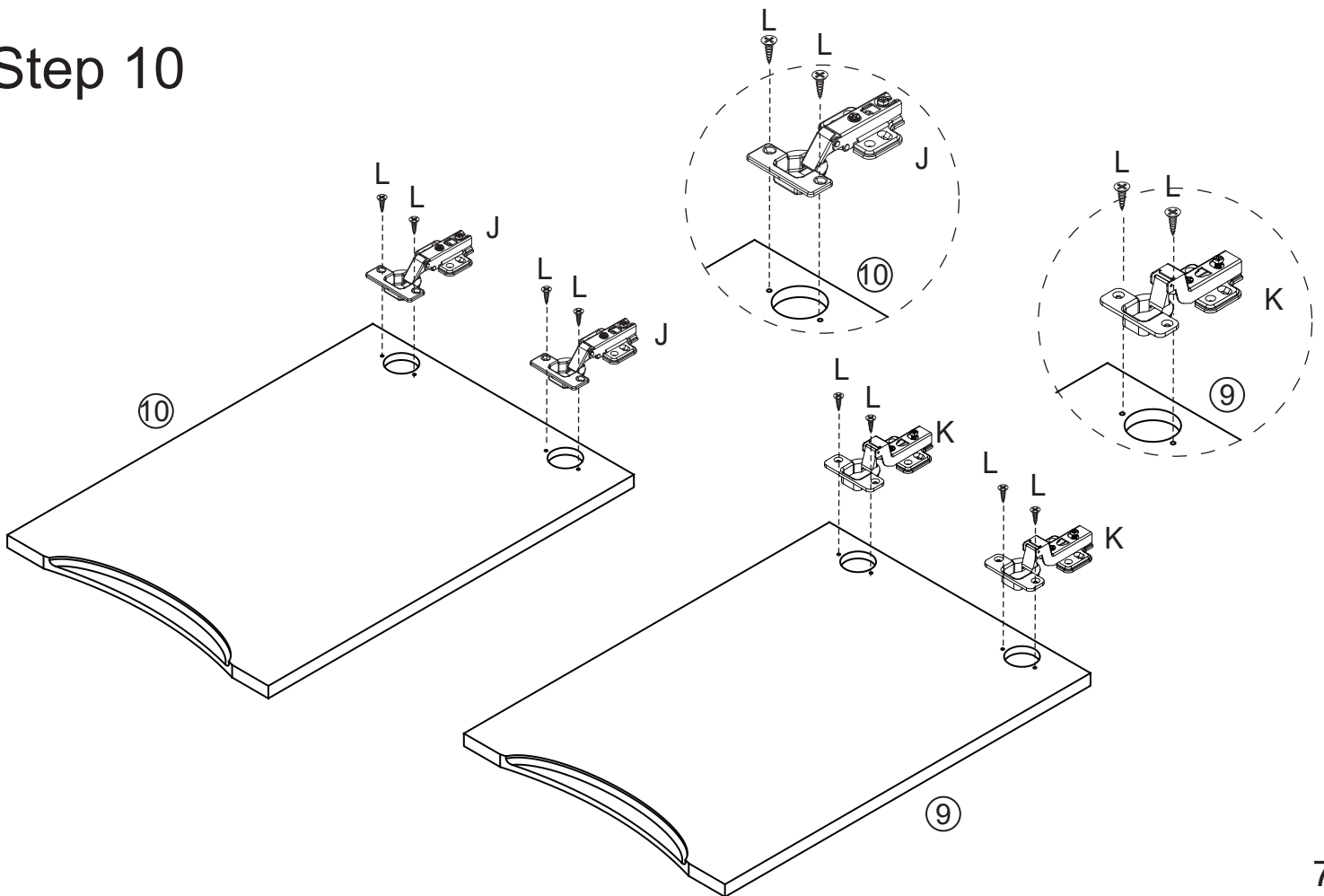
Step 8



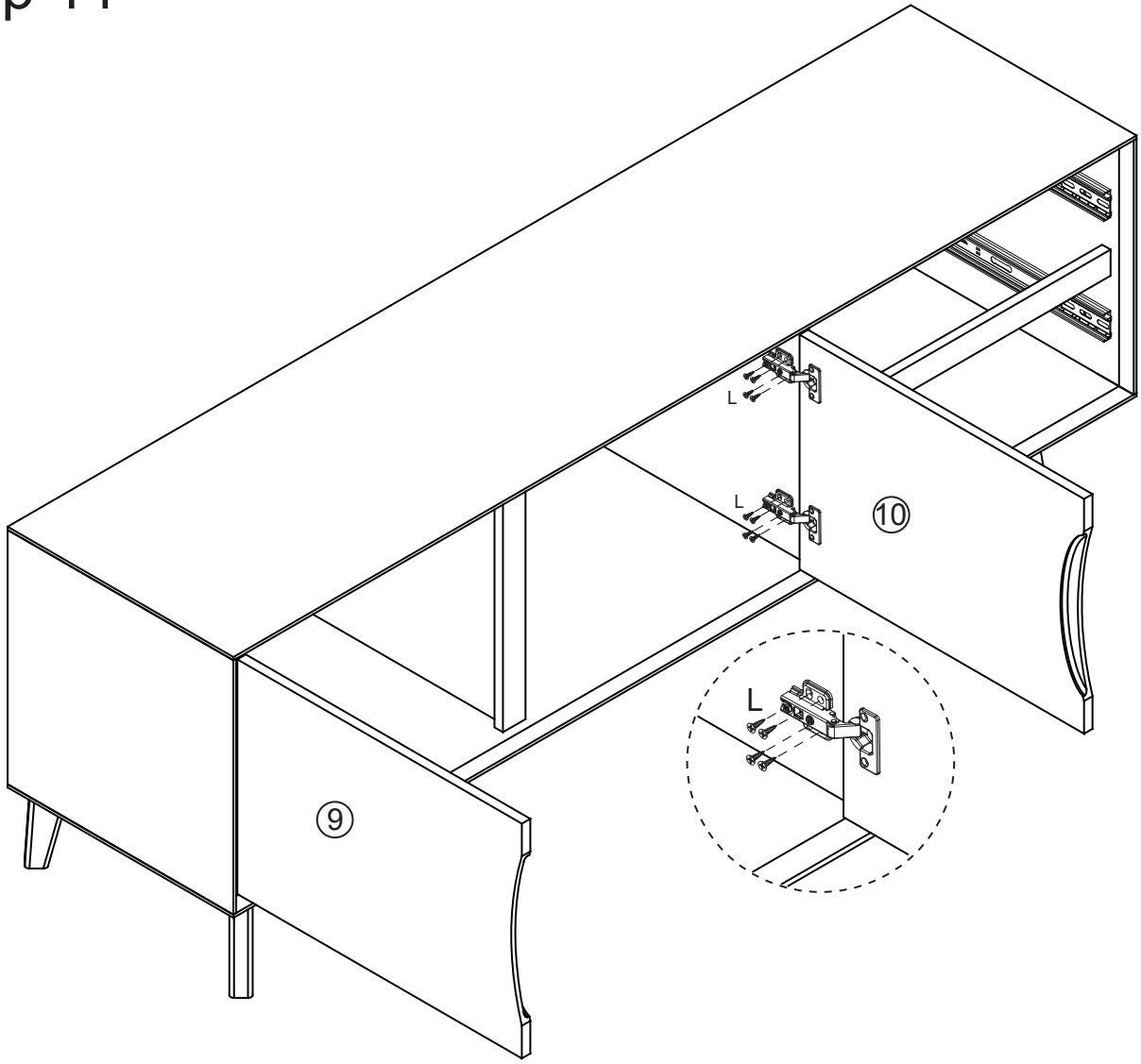
Step 9



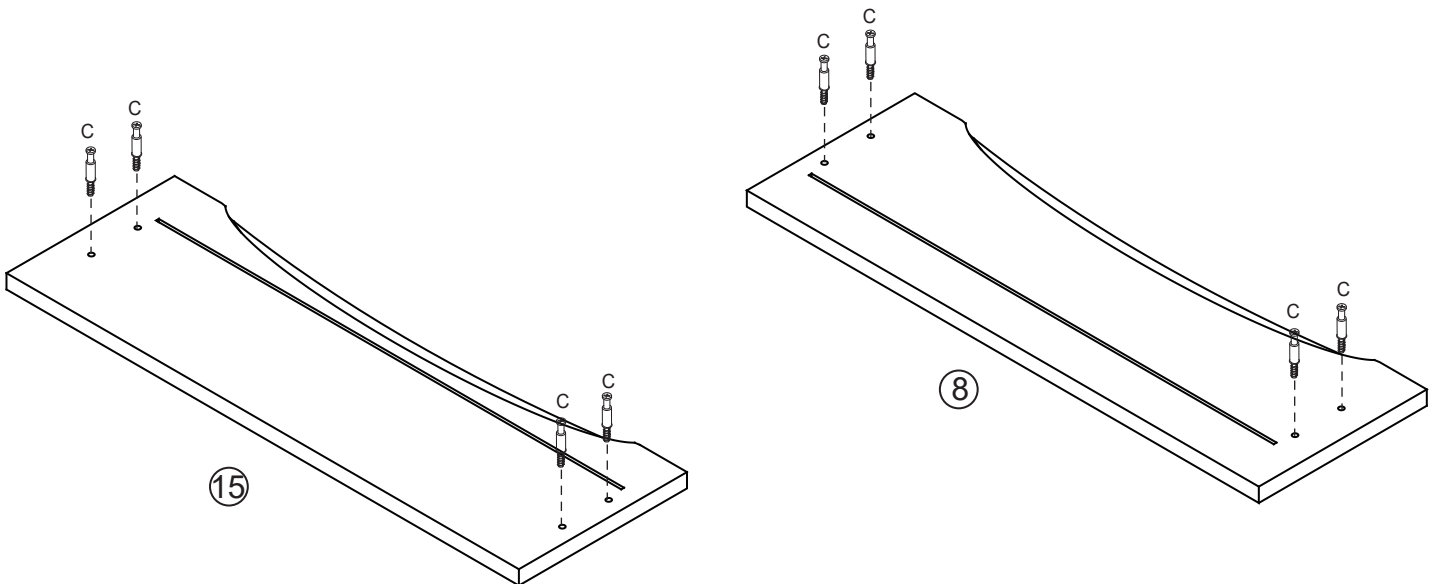
Step 10



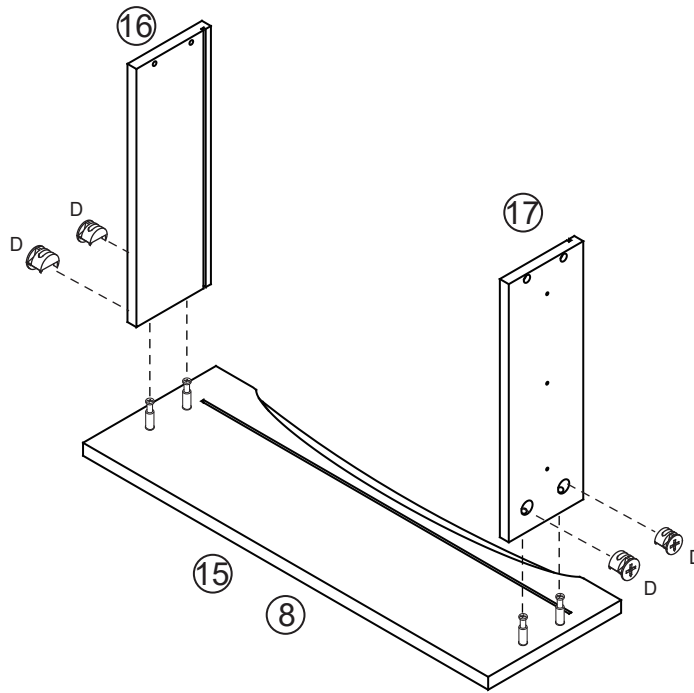
Step 11



Step 12

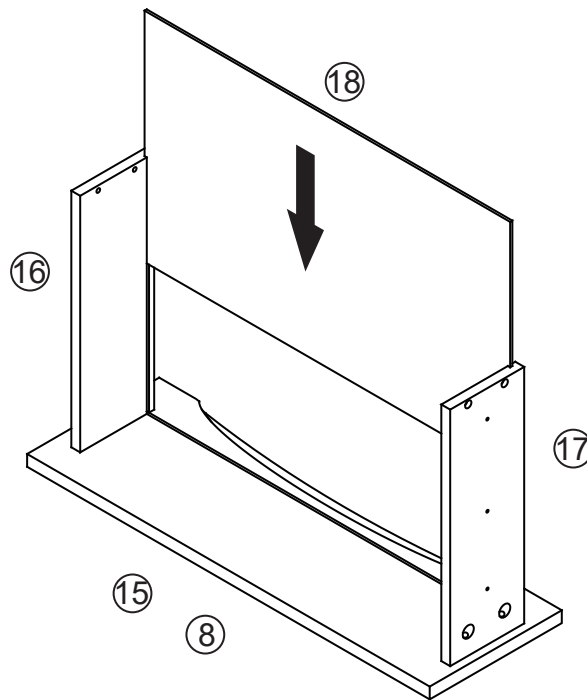


Step 13



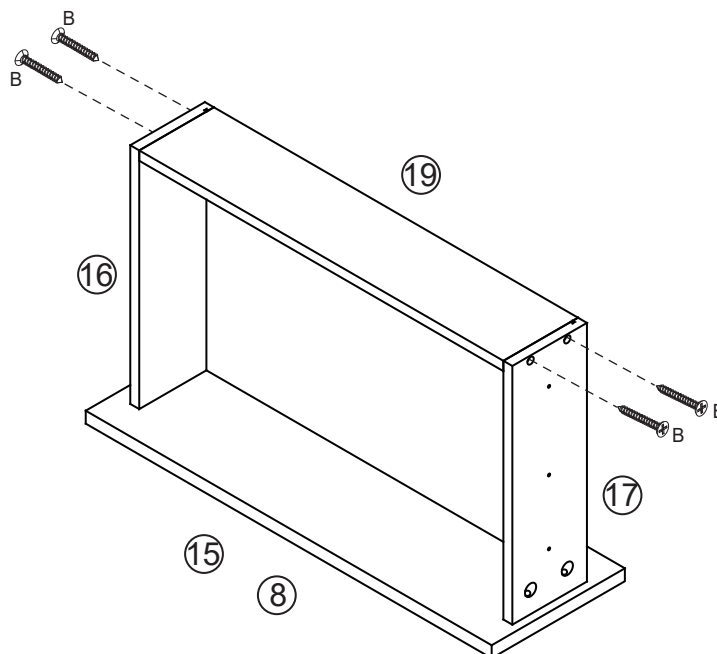
X2

Step 14



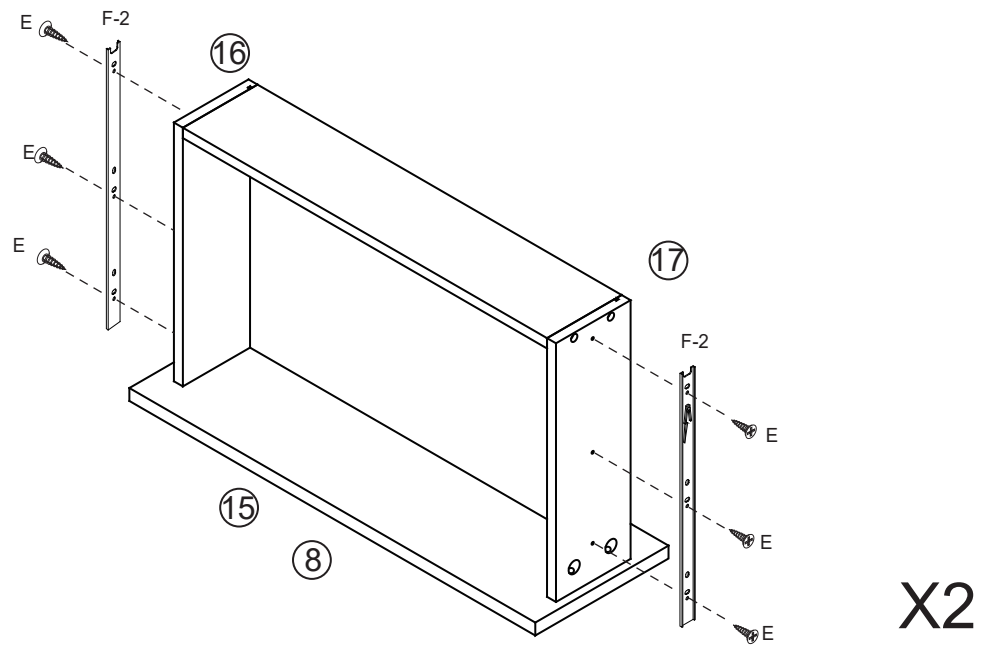
X2

Step 15

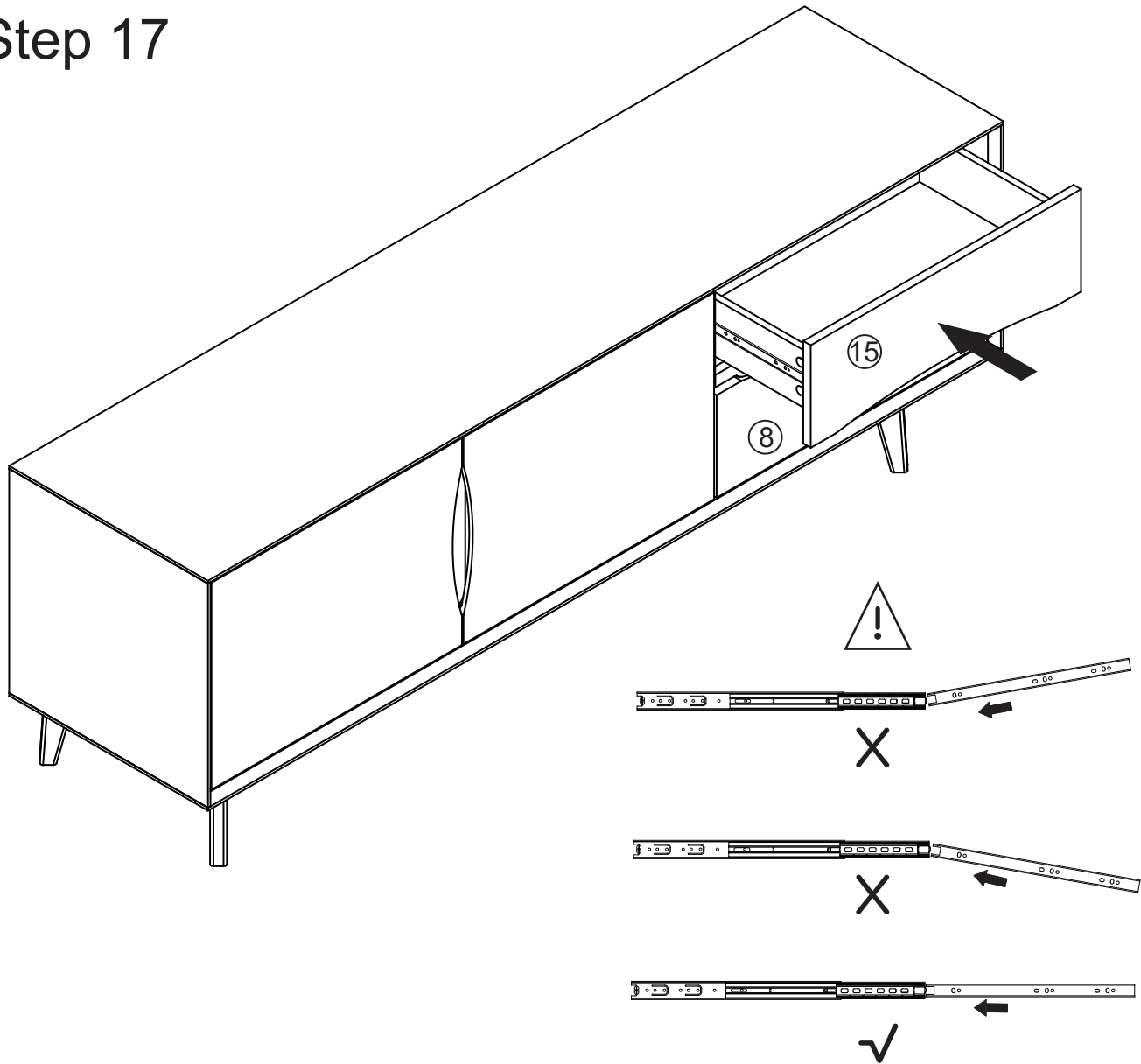


X2

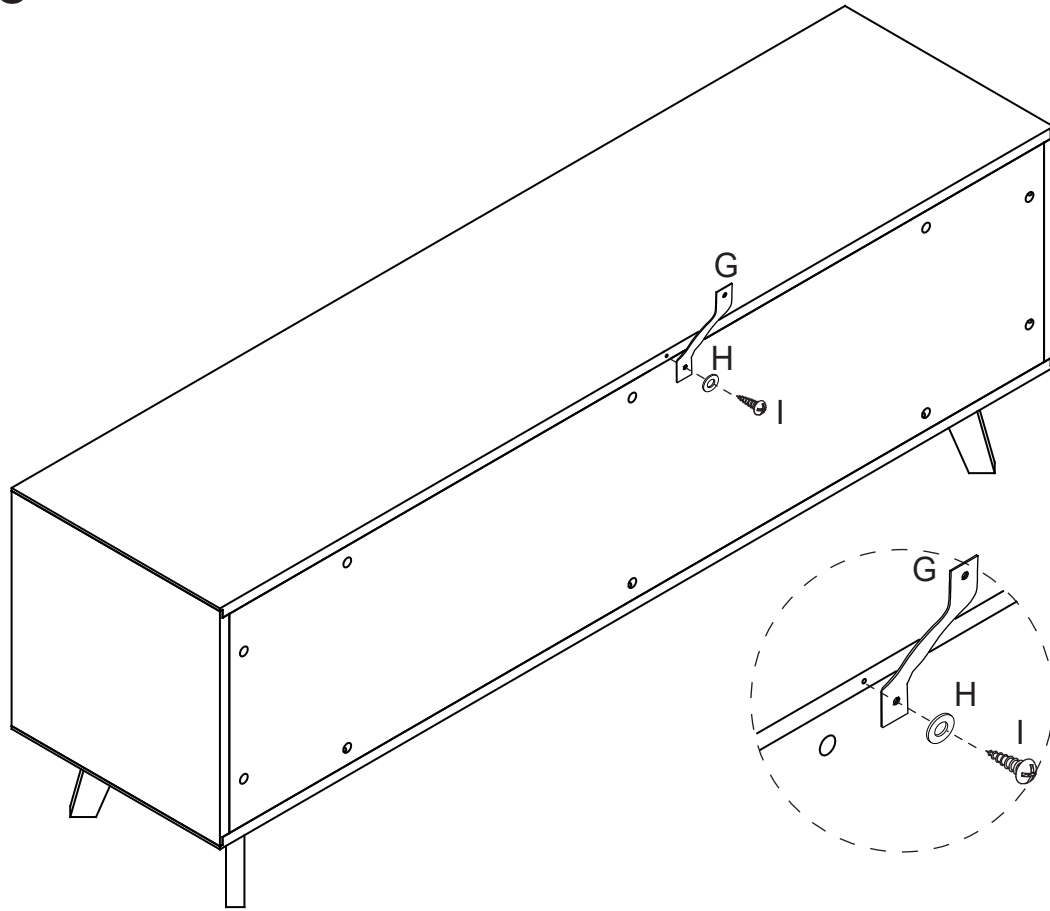
Step 16



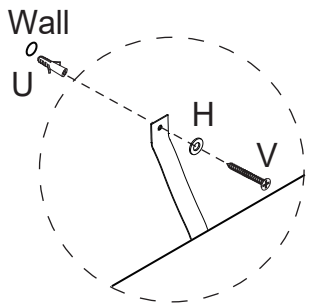
Step 17



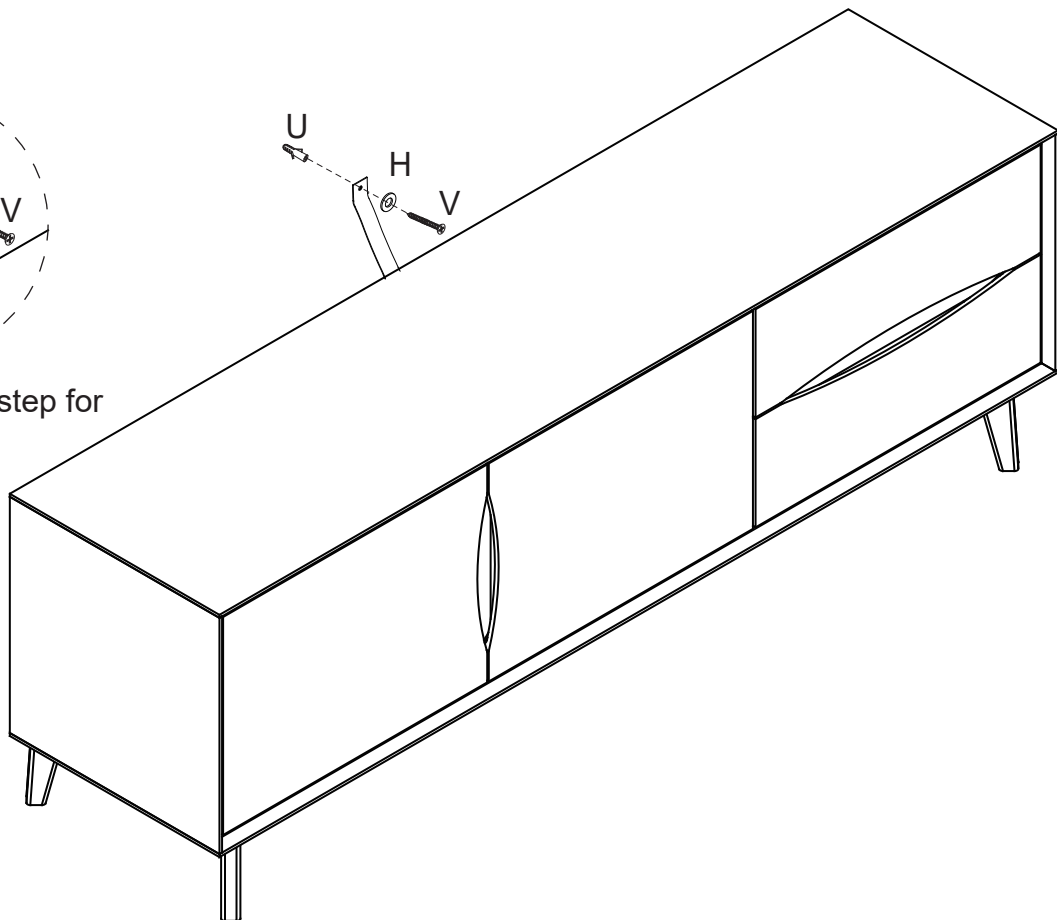
Step 18



Step 19



Recommended step for wall securing.



Fasten the safety strap to your wall using appropriate fixings for your wall type. If you are unsure, please seek professional advice on how to attach this safety strap to your specific wall.