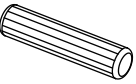

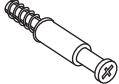
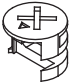

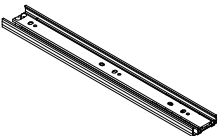
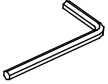

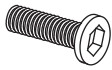
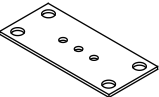

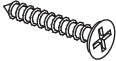
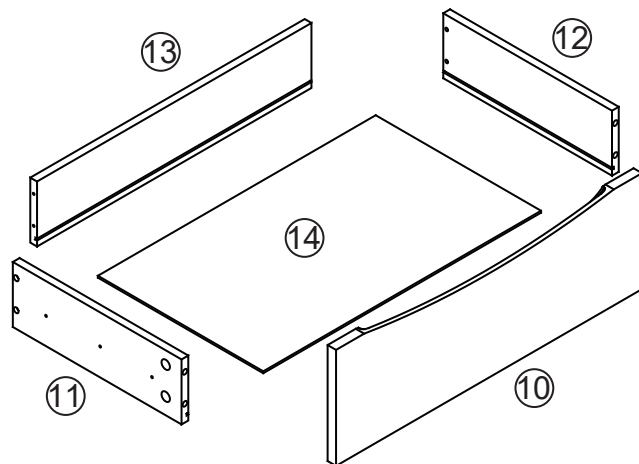
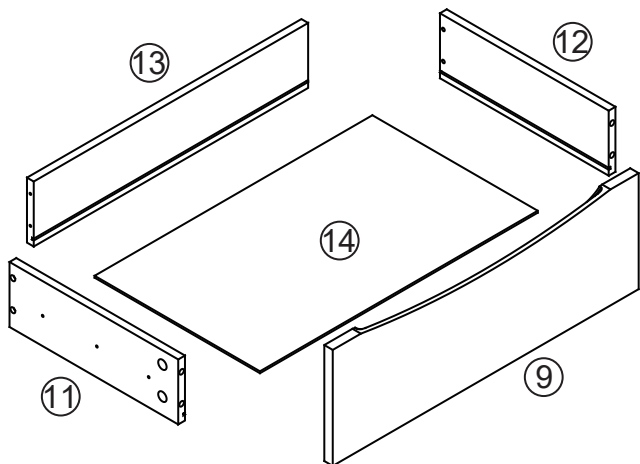
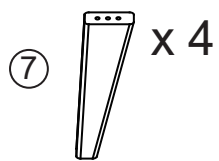
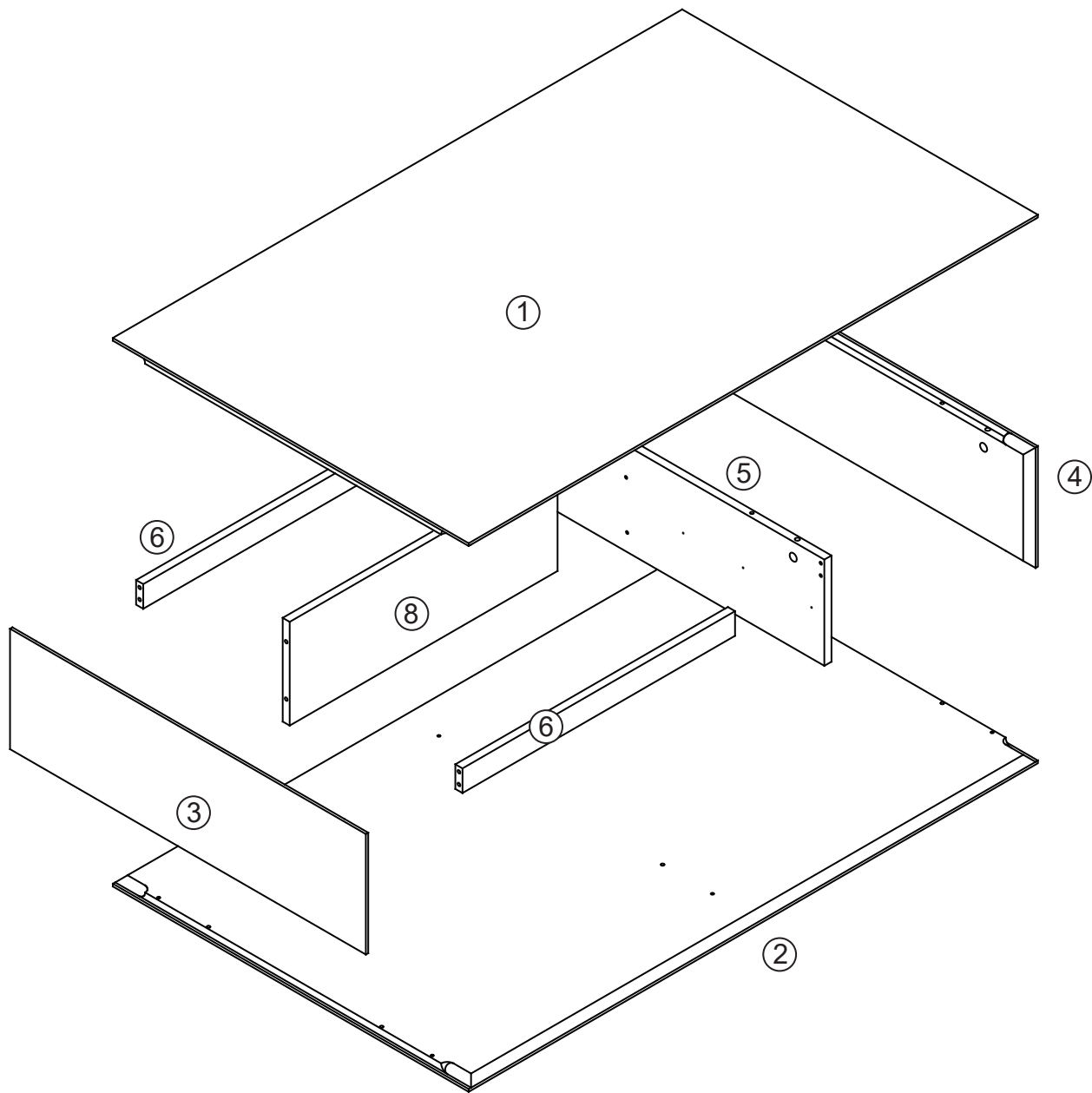
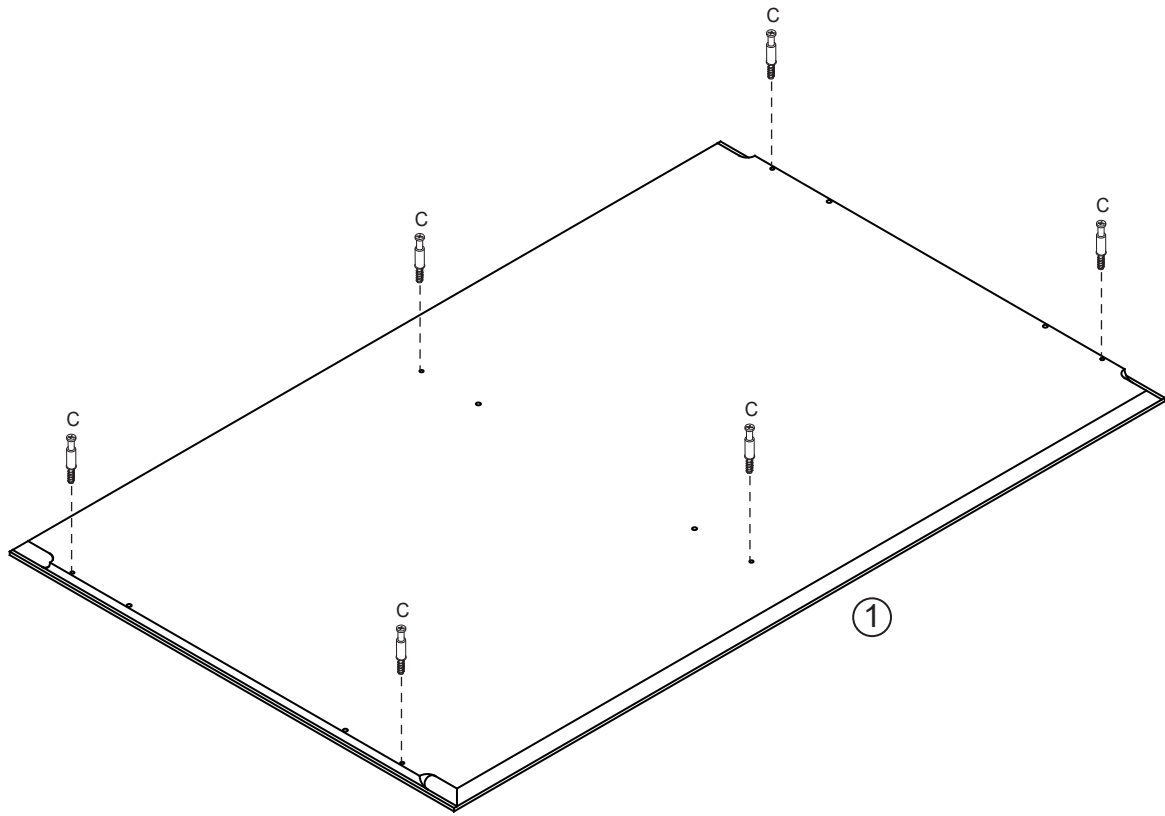


Parts and Hardware List

<p>A</p>  <p>24 pcs</p>	<p>B</p>  <p>14 pcs</p>	<p>C</p>  <p>14 pcs</p>	<p>D</p>  <p>14 pcs</p>	<p>E</p>  <p>24 pcs</p>
<p>F</p>  <p>4 pcs</p>	<p>G</p>  <p>1 pc</p>	<p>H</p>  <p>4 pcs</p>	<p>I</p>  <p>16 pcs</p>	<p>J</p>  <p>4 pcs</p>
<p>K</p>  <p>4 pcs</p>	<p>L</p>  <p>8 pcs</p>			

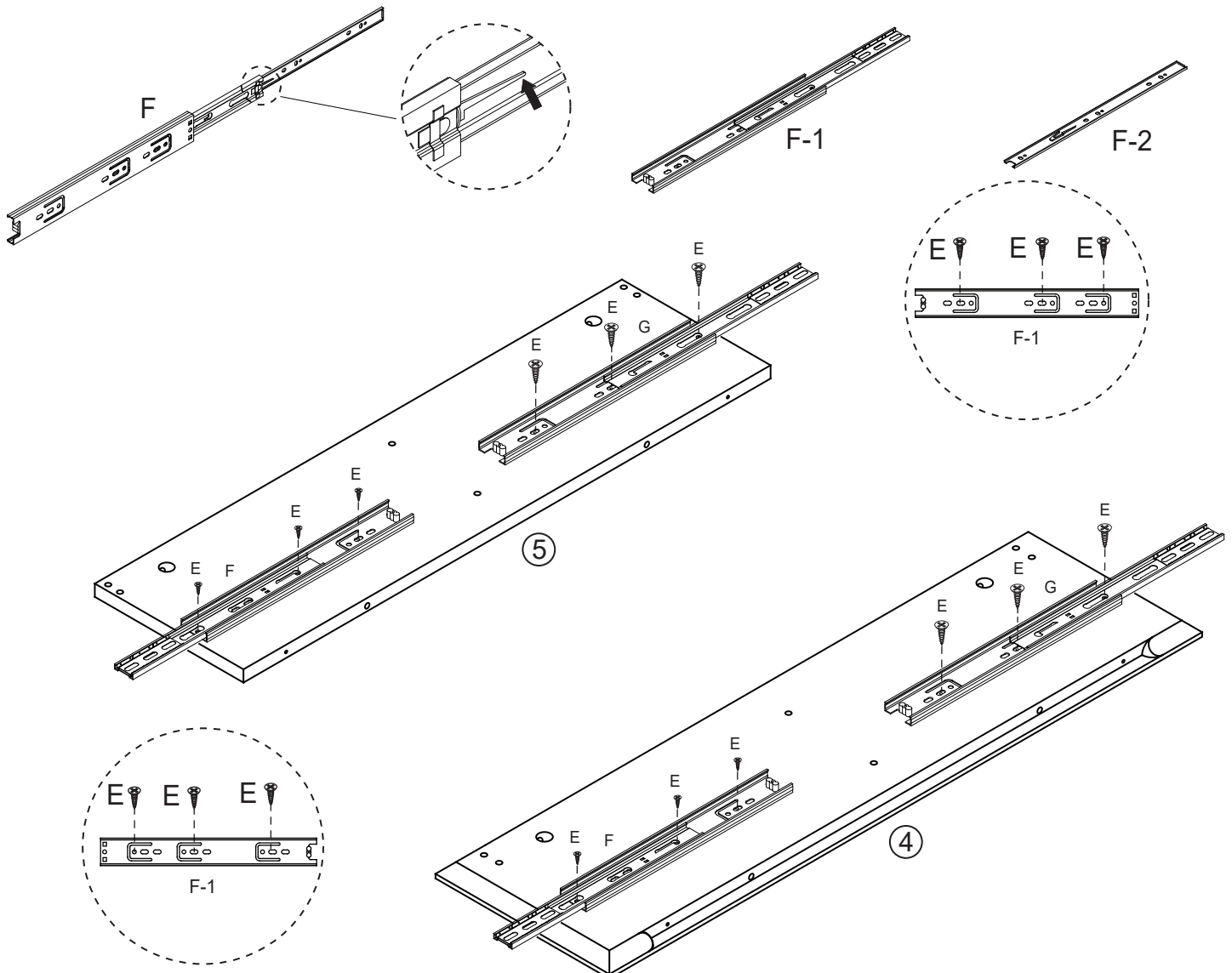


Step 1

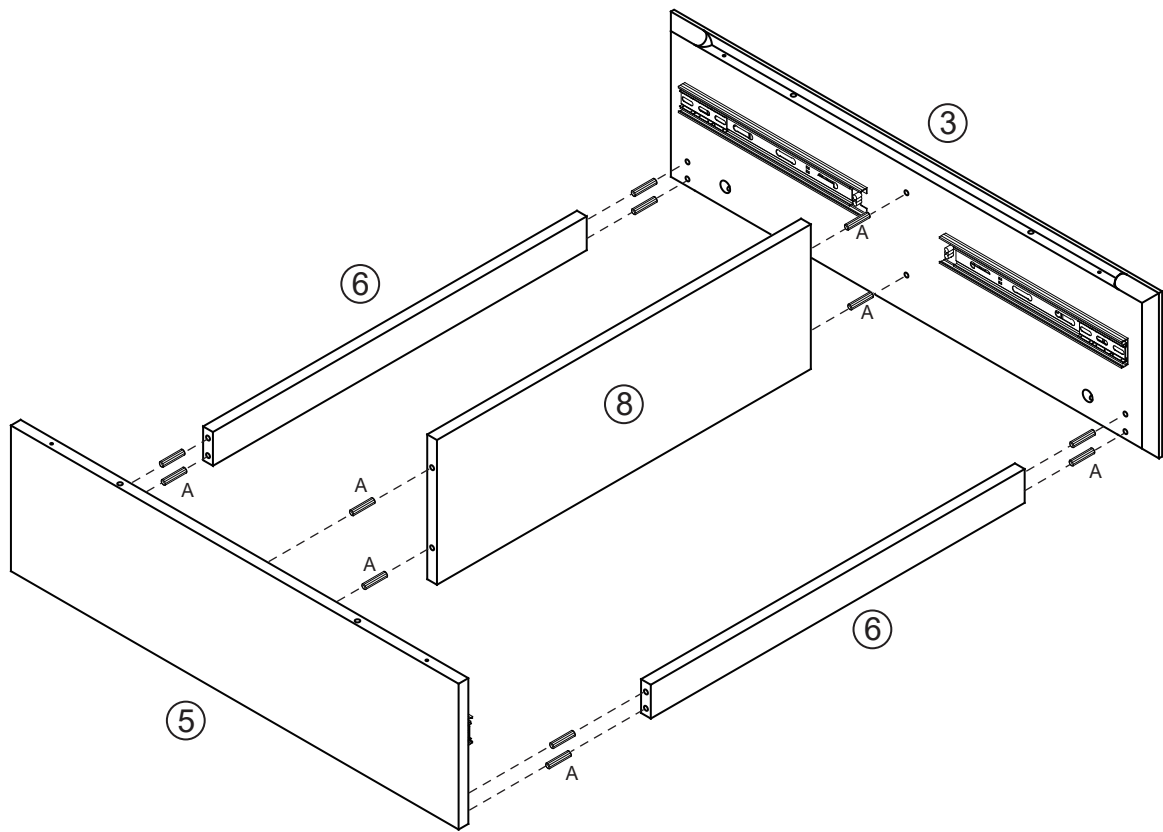


Step 2

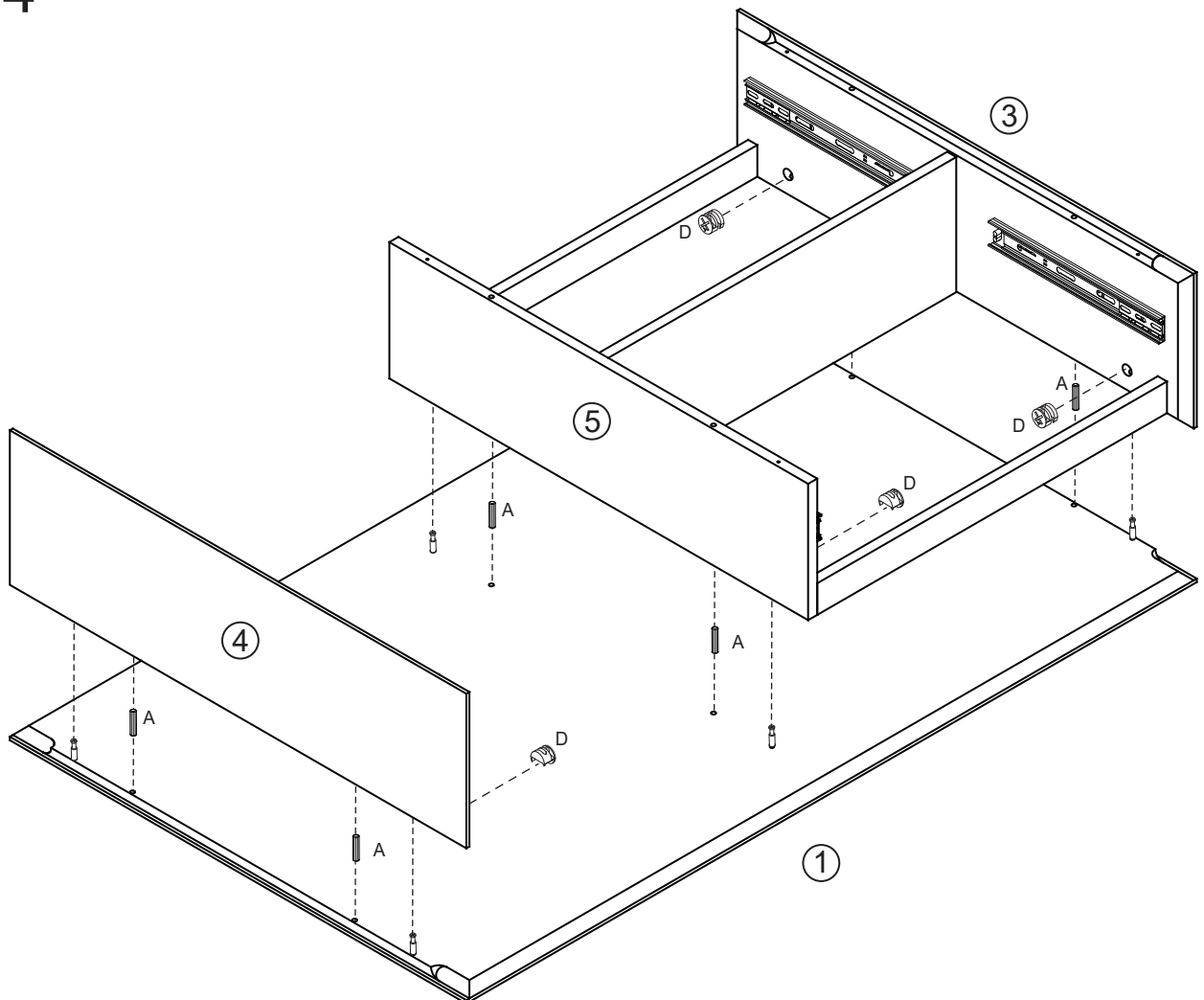
Separate the slide runners (F-2) and slide tracks (F-1) from slide (F) by following the steps below. Extend the slide runner all the way forward. Press the plastic release lever of the slide down and pull the slide runner (F-2) completely out.



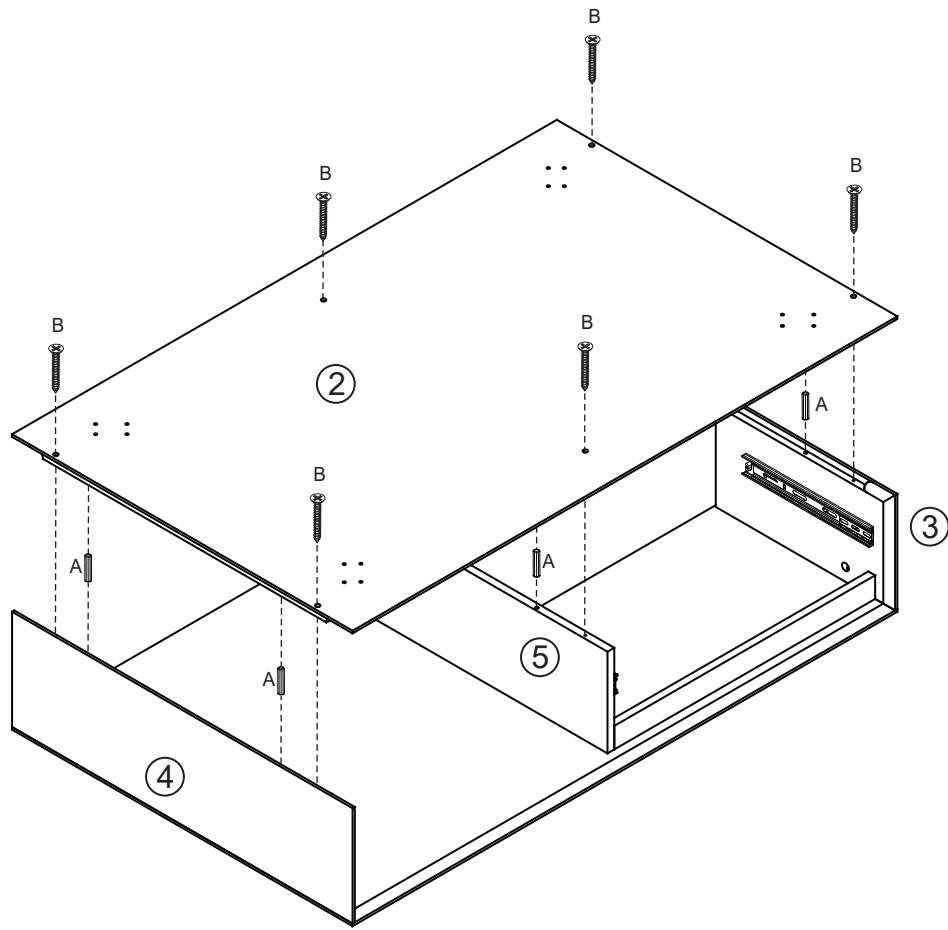
Step 3



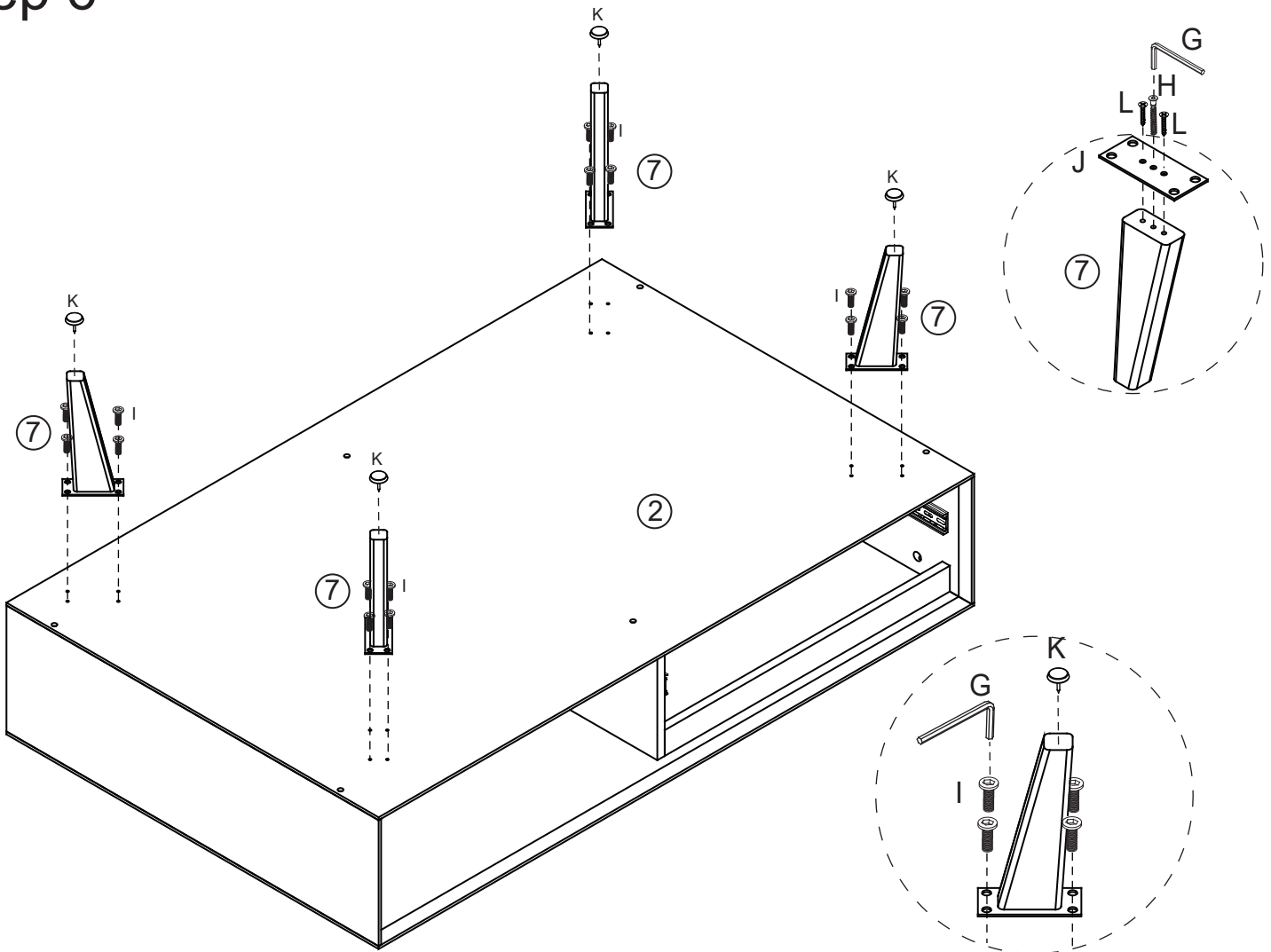
Step 4



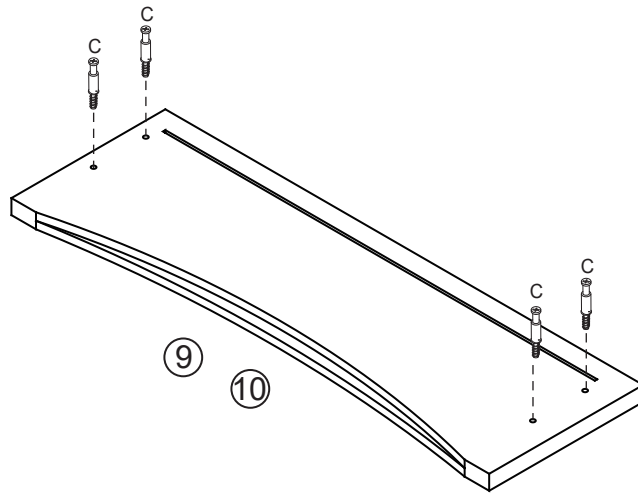
Step 5



Step 6

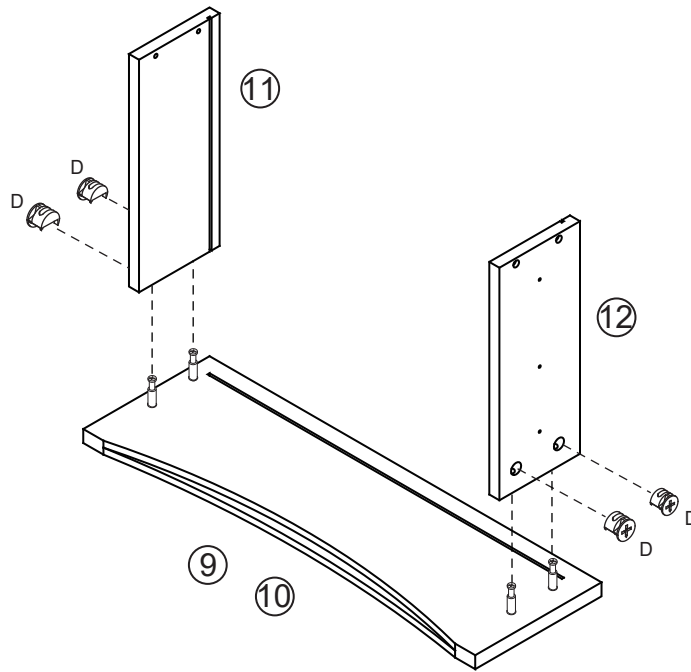


Step 7



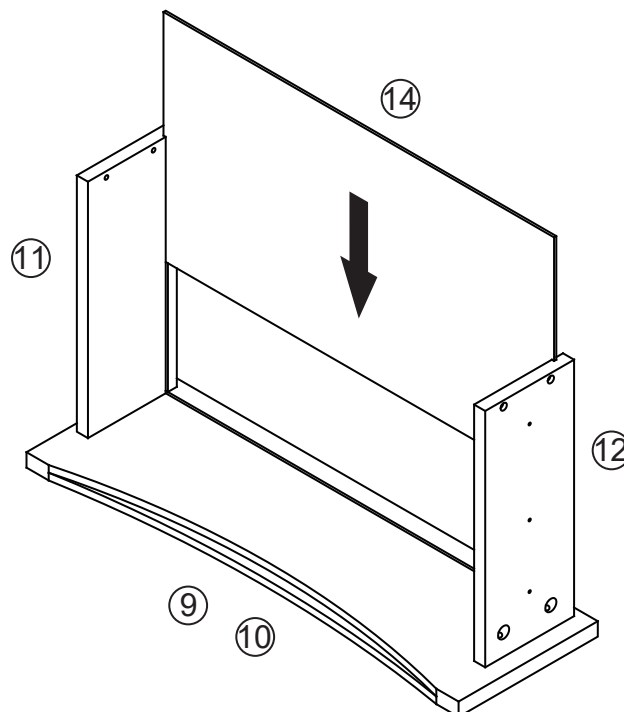
X2

Step 8



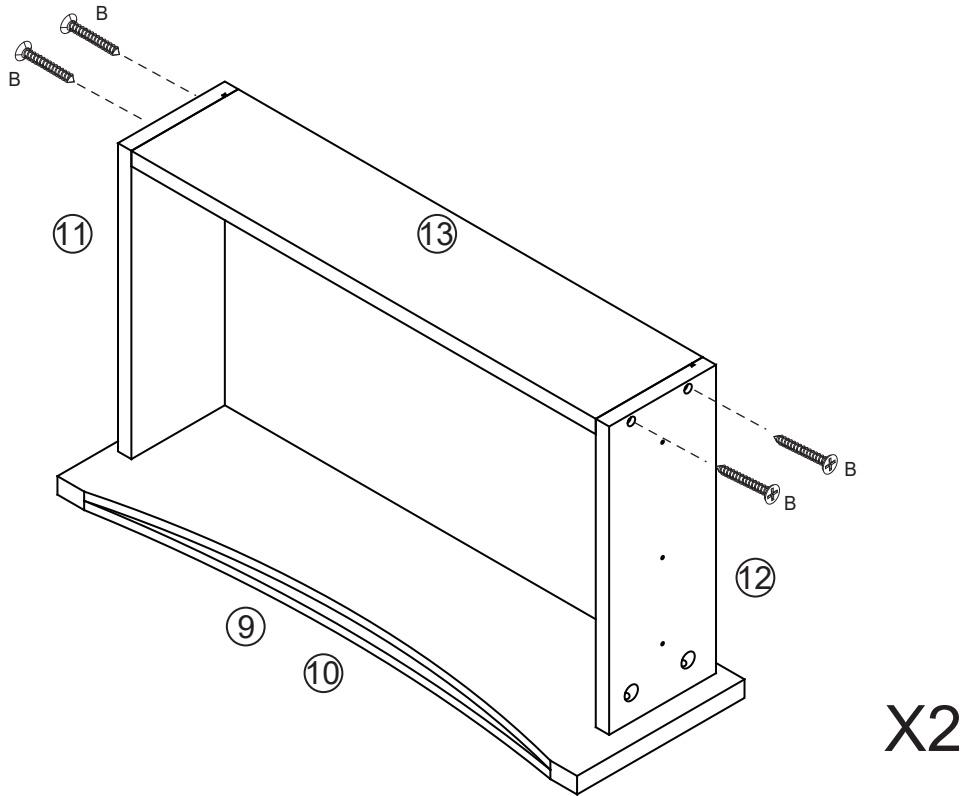
X2

Step 9

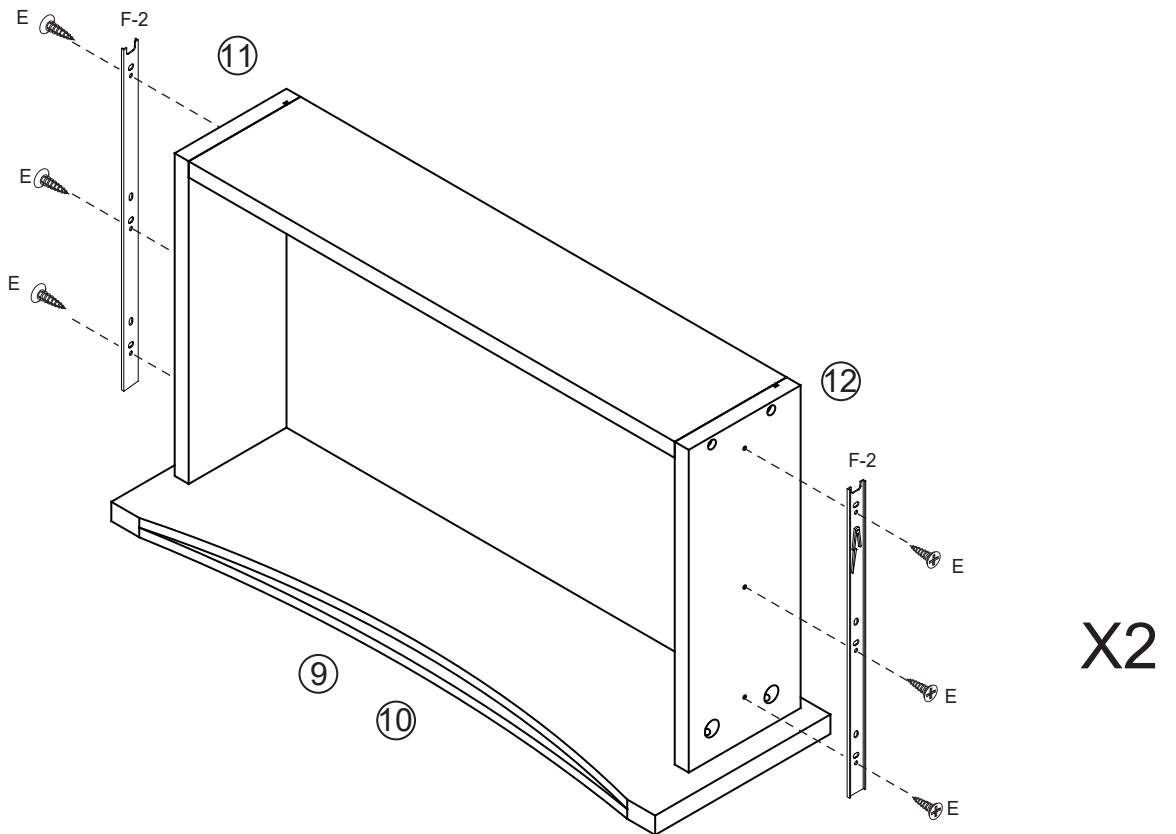


X2

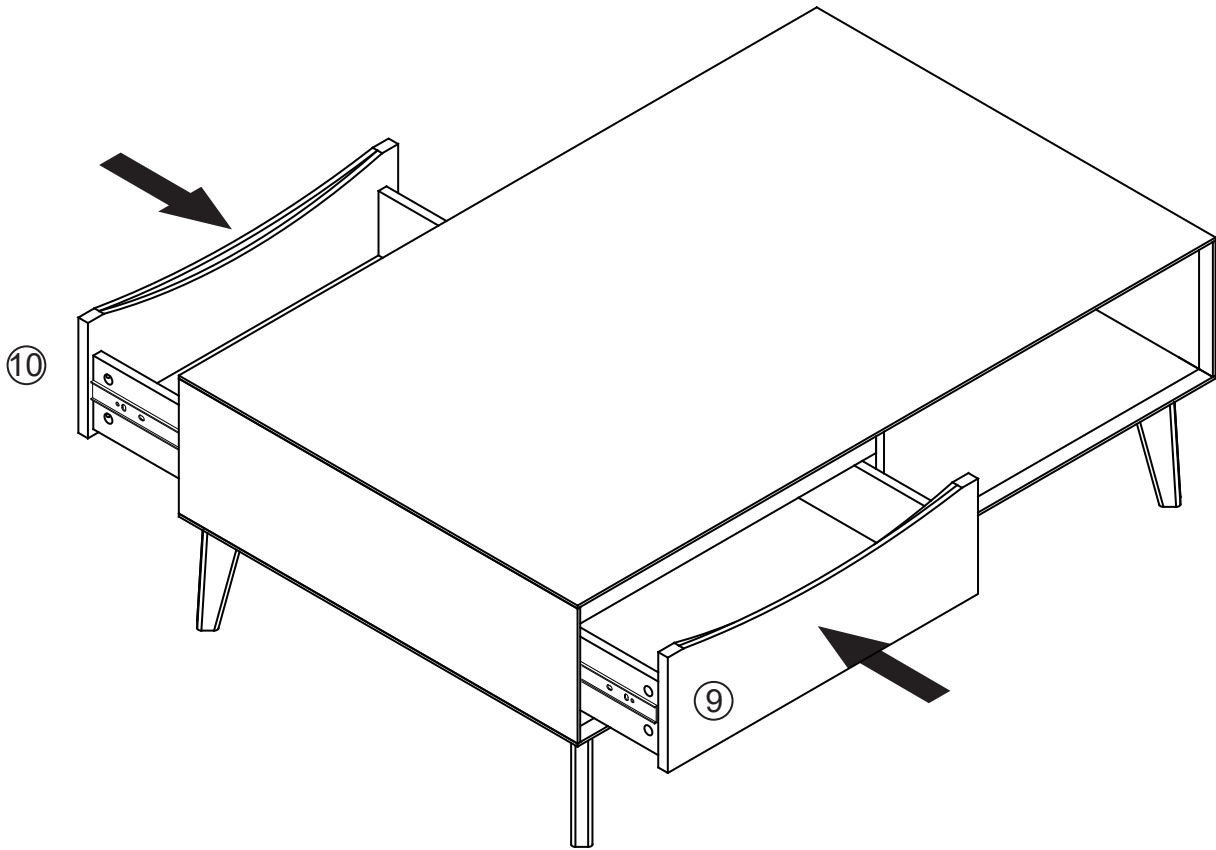
Step 10



Step 11



Step 12



Step 13

