

## ASSEMBLY INSTRUCTIONS FOR EXTENSION DINING TABLE

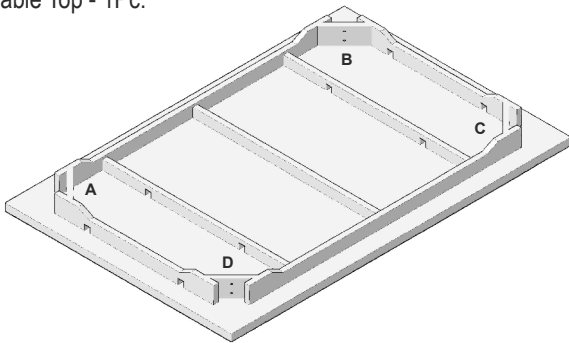
### PRE-ASSEMBLY

1. Please read all instructions carefully before beginning assembling.
2. Remove all parts and hardware from the box and lay out on a clean, carpeted or scratch-free work surface, as this will avoid damaging any parts during assembly. The shipping box provides an ideal work surface. Do not dispose any contents until assembly is completed to avoid accidentally discarding parts or hardware.
3. We recommend adult assembly by two people for your safety.

### List of Packets

1. Table Top - 1 Pc.
2. Legs - 4 Pcs.
3. Table Extension - 2 Pcs.
4. Bolt & Washer - 8+2 Pcs.
5. Spanner - 01 Pcs.

Table Top - 1Pc.



Legs - 4 Pcs.

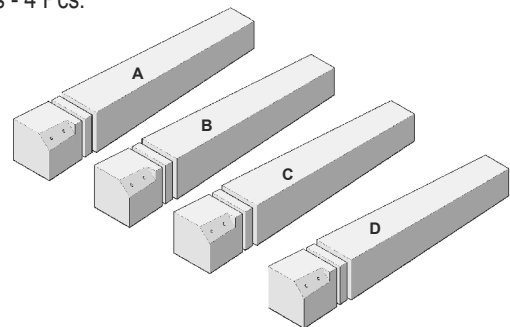
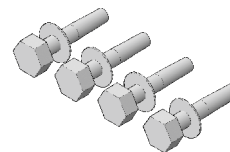
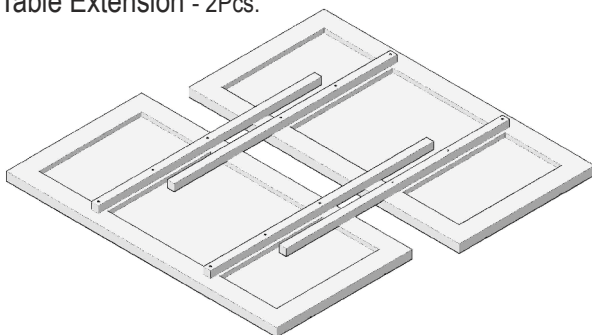


Table Extension - 2Pcs.

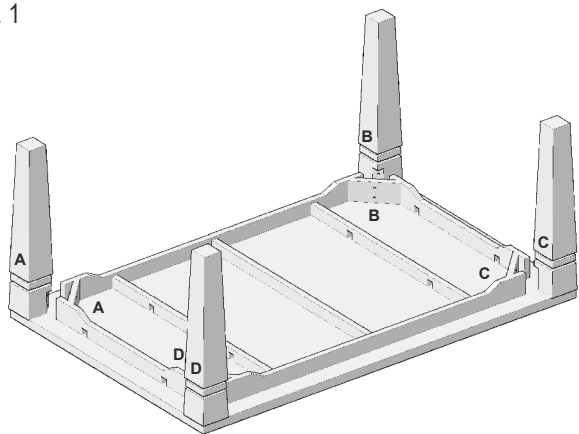


Bolt & Washer : 8+2 pcs



Spanner : 1 Pcs

Fig. 1



Step 1: Turn table top upside down onto a clean surface as shown in the Fig. 1.

Step 2: Match label on table top with the label on leg ("A" with "A" and "B" with "B") as shown Fig. 3.

Step 3: Put the washer on to a bolt and Insert into the corner leg, as shown in. fig.2 and tighten with spanner provided as shown in fig. 3

Step 4: Slide the table extension in table top slots as shown in fig. 5.

Step 5: Turn the table upright position as shown in fig. 6

Step 7: Final assembly as shown in fig. 7.

Fig. 2

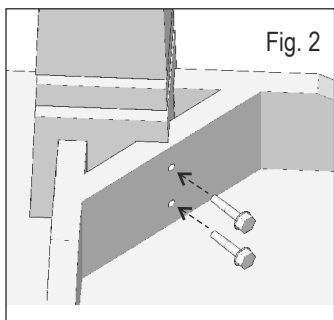


Fig. 3

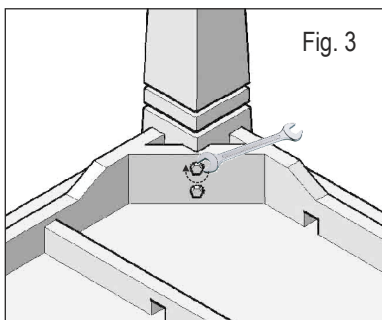


Fig. 4

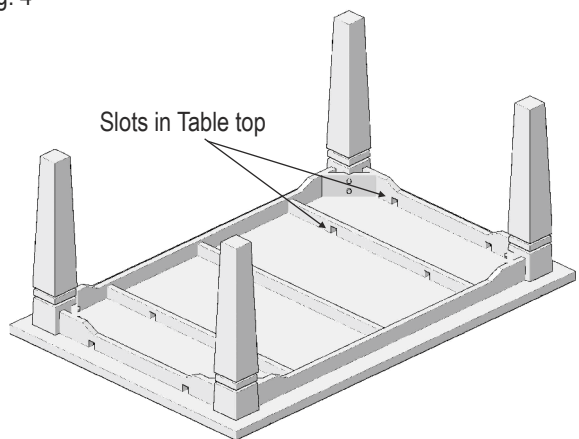


Fig. 6

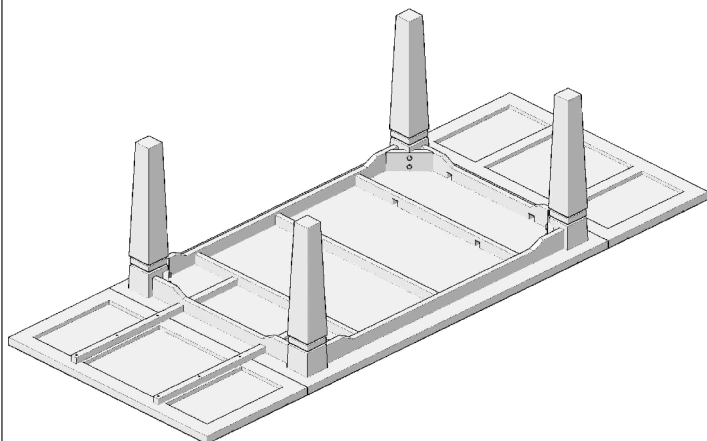


Fig. 5

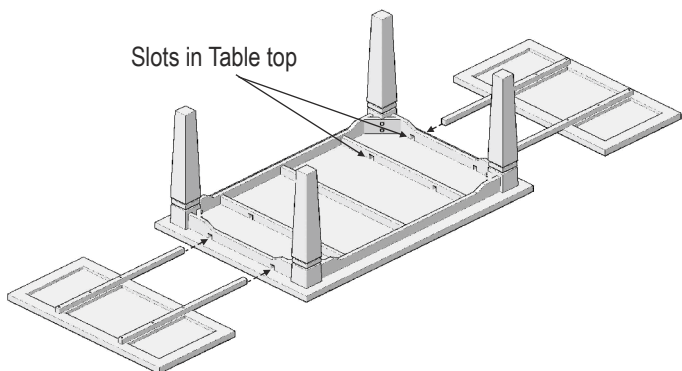


Fig. 7

