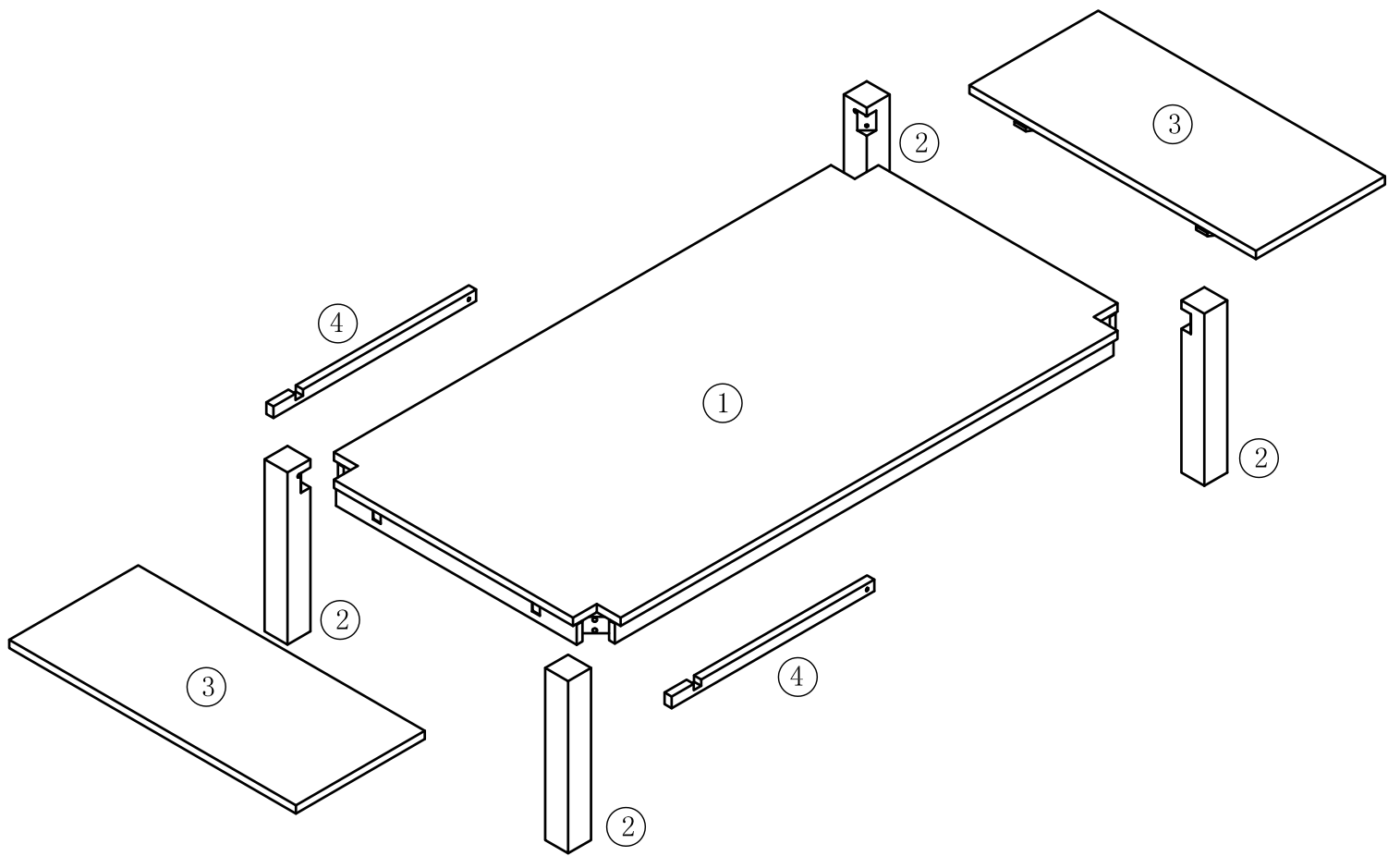







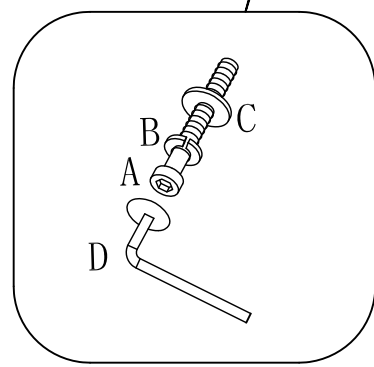
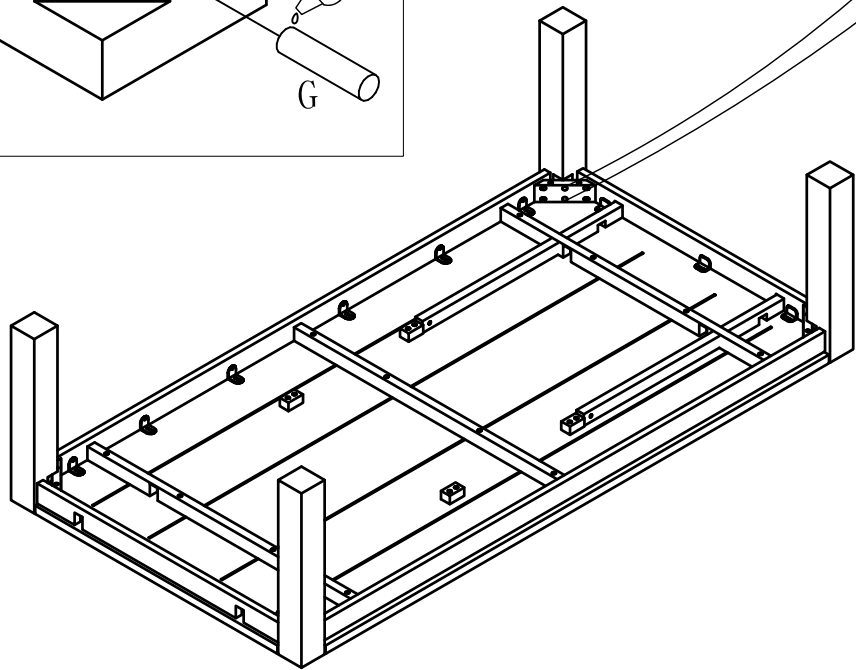
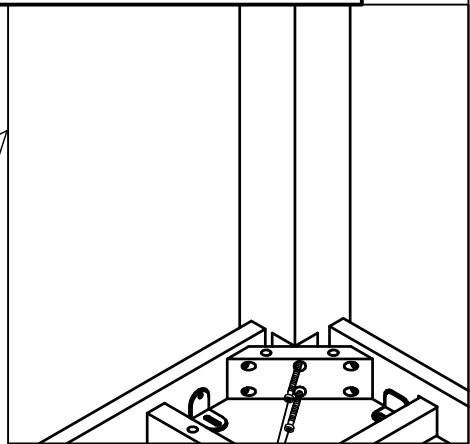
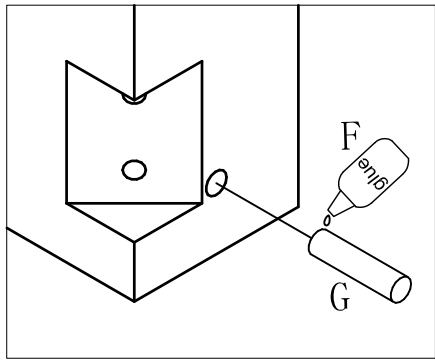


Assembled dimensions		
Height	750	mm
Width	$500+2000+500$	mm
Depth	1000	mm

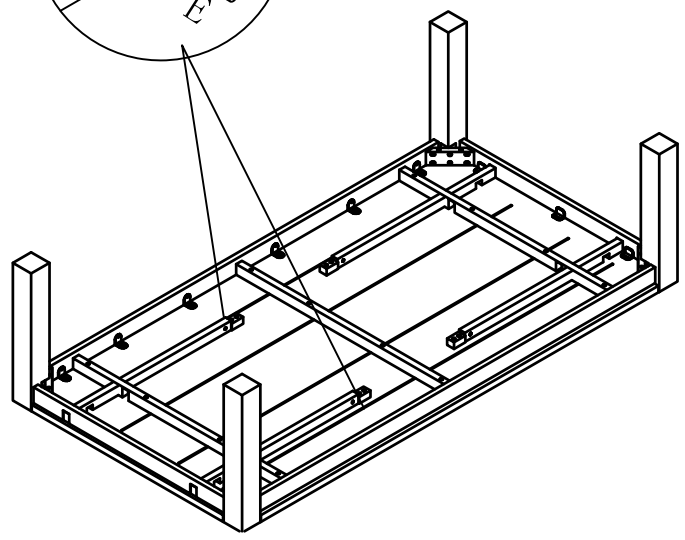
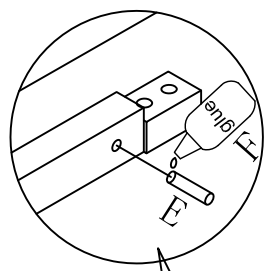
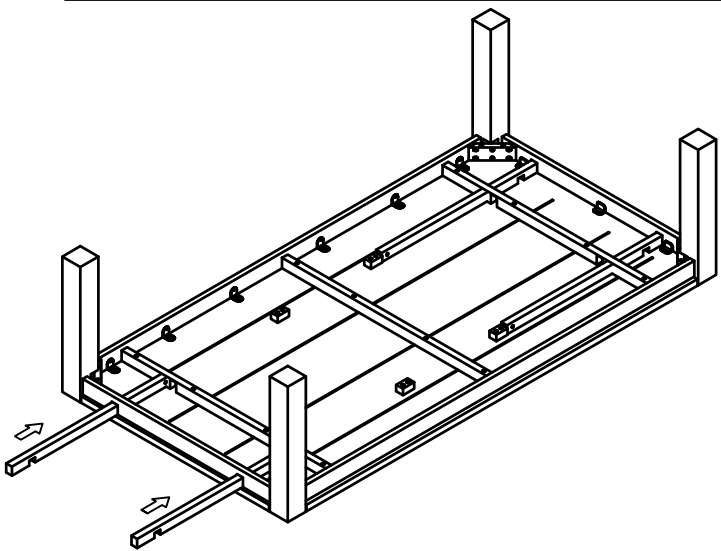


8×A  M $\frac{5}{16}$ × 50mm	8×B  M8	8×C  M8	1×D  5mm	2×E  ∅10*50mm	1×F  glue	4×G  ∅10*40mm
---	--	--	---	---	--	--

- 1
 8×A 
 8×B 
 8×C 
 4×G 
 1×F 
1×D 



- 2
 2×E 
 1×F 



3

