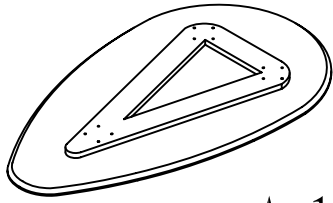


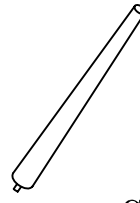
# ASSEMBLY PICTURE



Ax1



Bx3

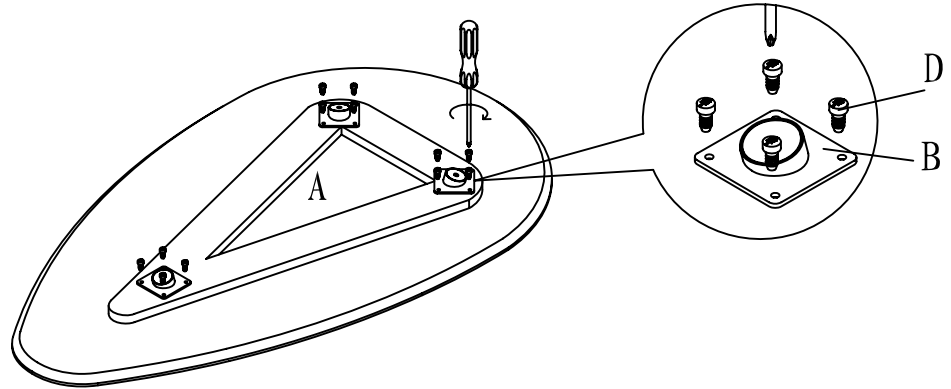


Cx3

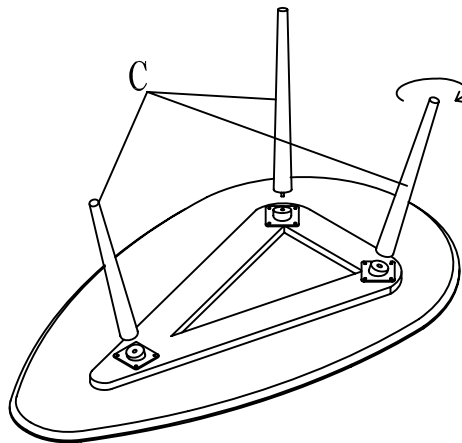


Dx12

①



②



③

