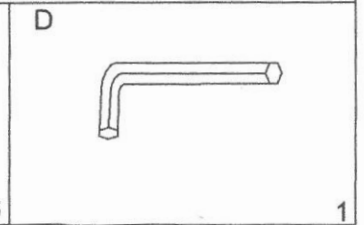
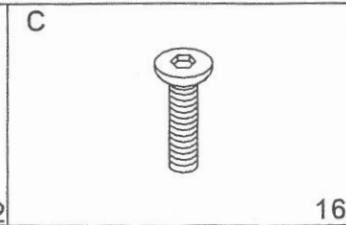
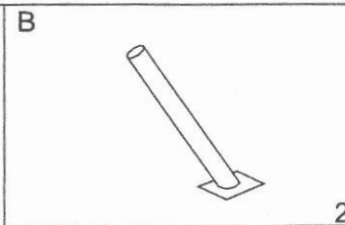
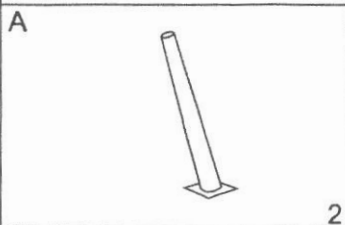
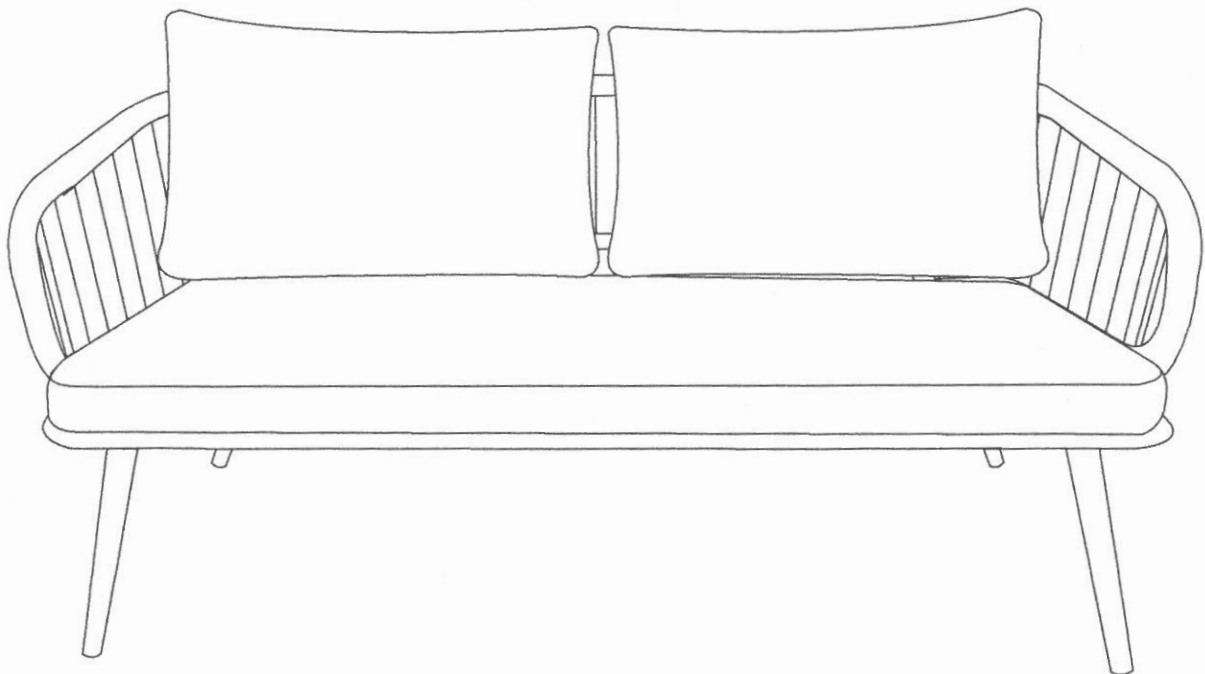
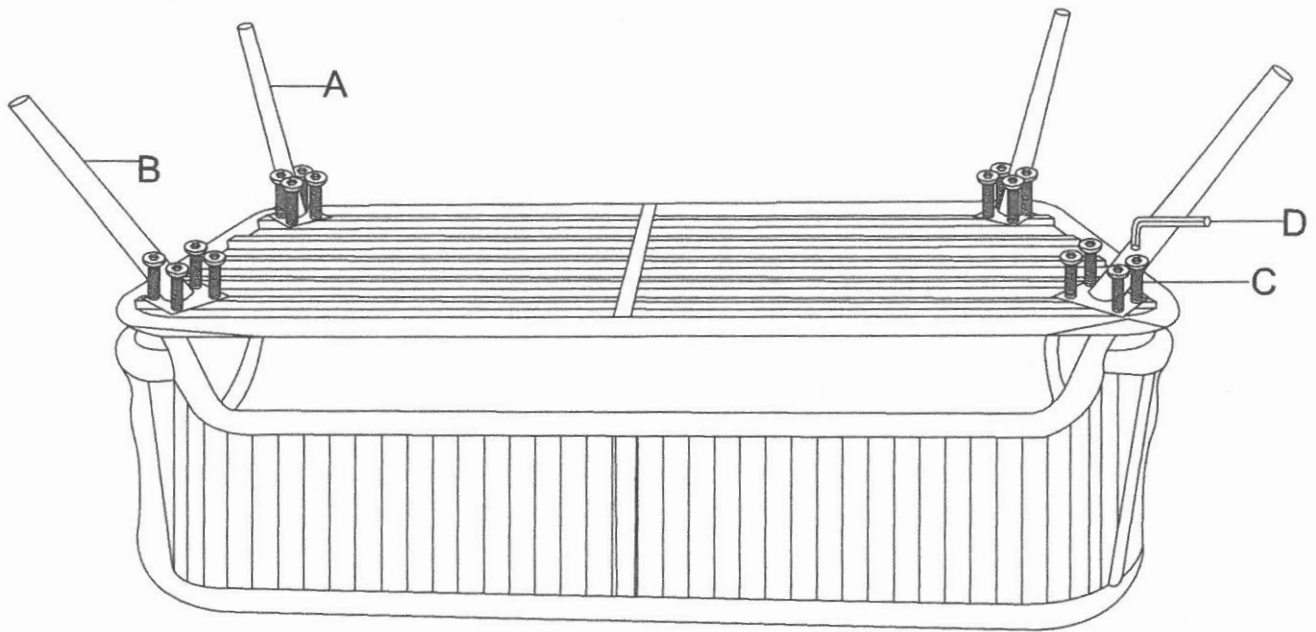
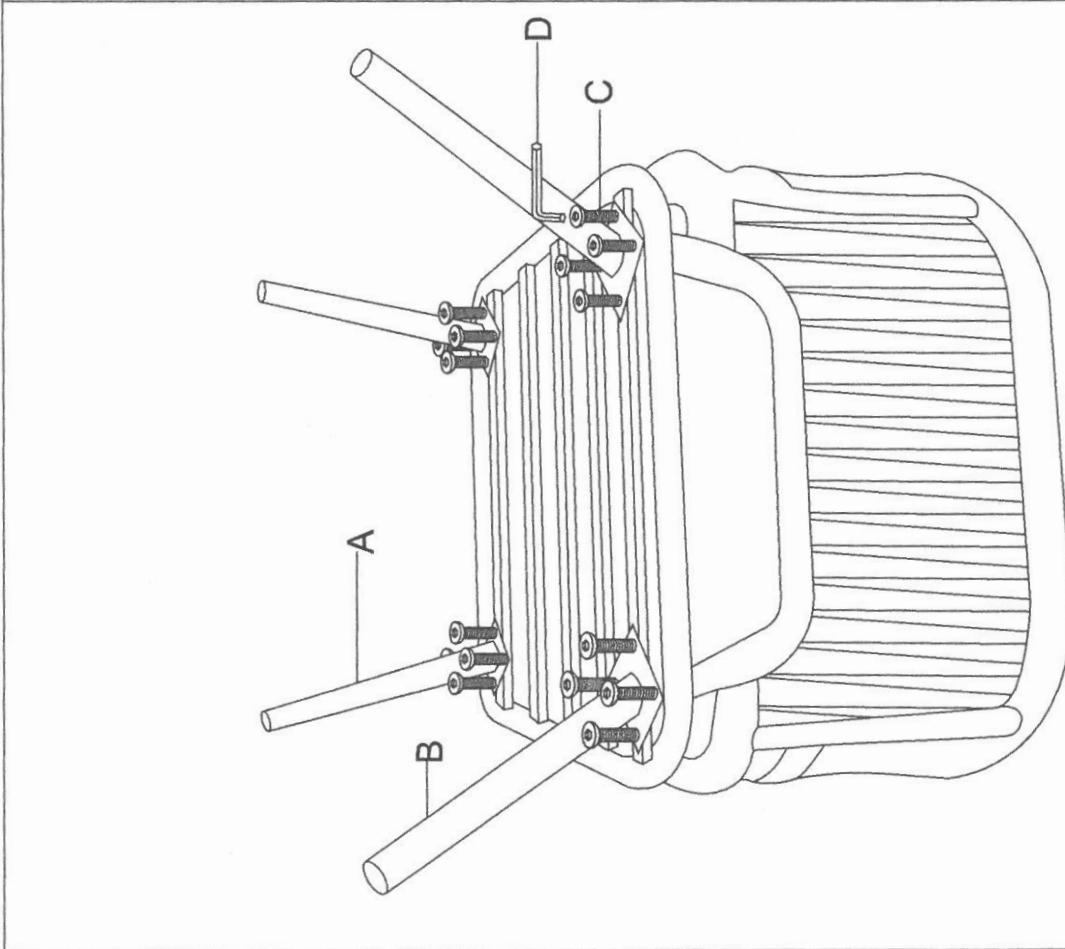
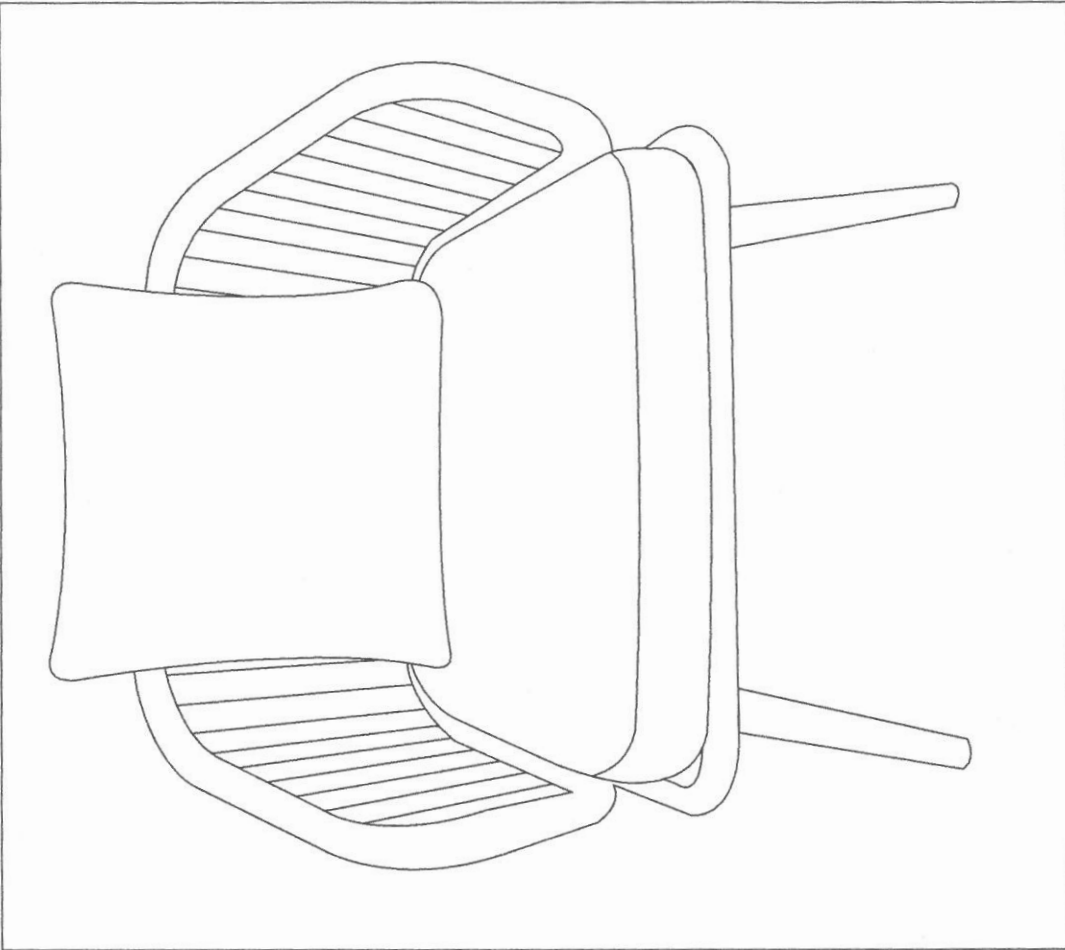
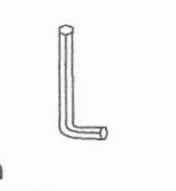
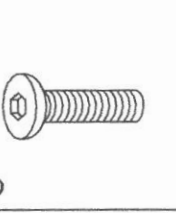
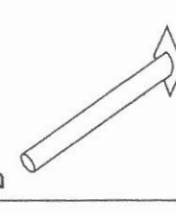
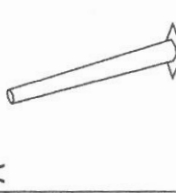


homeville





A	B	C	D
			
2	2	2	1

16	1
