






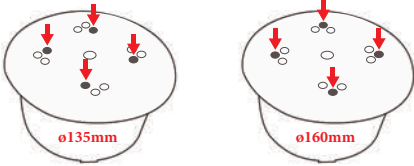

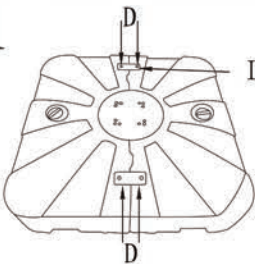


USER MANUAL

PART	QTY	PICTURE
A	1	
B	1	
C	8	 (M6X12)
D	4	 (M6X12)
E	4	 (M8X16)
F	1	
G	2	
H	1	
I	2	
1		
2		