



# KRETA Family Pool

## Manual

IMPORTANT .....	2
ENGLISH .....	4
DANSK .....	22
NORSK .....	40
SVENSKA .....	58
SUOMI .....	76
POLSKA .....	94

**Model 1543 - Ø: 3.50 X 0,90 CM**

**Model 1606 - Ø: 4.60 X 0,90 CM**

**Do NOT set up the pool at times or locations that are very windy!**

**Poolen må ikke stilles op i blæsevejr!**

**Monter ikke bassenget på dager med mye vind!**

**Sätt inte poolen upp på blåsiga dagar!**

**ÄLÄ asenna allasta tuulisella ilmalla tai tuuliseen paikkaan!**

**NIE WOLNO ustawia basenu podczas wietrznej pogody!**

## IMPORTANT!

Do NOT set up the pool at times or locations that are very windy! KRETA family swimming pool is produced for above ground use. However, if the swimming pool is intended to be used in-ground, please look for general advice at [www.swim-fun.com](http://www.swim-fun.com) Product warranty is no longer valid if the pool is not used above ground.

## Don't forget this!

Before the pool is set up, you should lay out a ground cover under the pool. The cover protects against mechanical abrasion and to penetration from below by small stones or roots. The cover also makes the pool bottom comfortable to walk upon.

Article: 1566 ground cover Ø3, 50M • Article: 1620 ground cover Ø4, 60M

## Video guide on Youtube



### Hotline:

Denmark +45 7022 6856  
Sweden +46 771 188819

This manual is protected by the Copyright Act.

For more user information and tips, see our website [www.swim-fun.com](http://www.swim-fun.com)



### Light, flexible and efficient alternative to sand

Fits all cartridge filters and sand filter systems 700 g of pool Filterballs corresponds to 25 kilograms of sand.

Articel 1069 **Filterballs**

*Optional.  
Not included with  
the pool!*

## Upgrading with external sandfilter!

You need these articles to upgrade your KRETA Family pool with an external sand filter system!

A sand filter system provides cleaner and clearer water, minimises the need for chemical agents and allows you to use solar panels and efficiently vacuum-clean the pool bottom.

Artikel 1050  
**Sandfiltersystem**  
fx. Pro Classic 300  
250W



Artikel 1533  
**Pool Skimmer with**  
return inlet



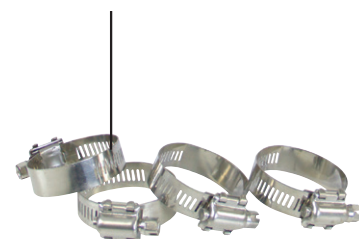
Artikel 1582  
**Pool hose**  
6,6 m Ø32mm



Artikel 1536  
**Filter sand**  
25 kg



Artikel 1524  
**4 hose clamps**



Or try the new  
**Filterballs**  
(See page 2)



## UK Table of Contents:

Important information's – parts lists .....	4
I. Necessary tools.....	5
II. Finding the right location for the pool .....	5
III. Inspecting the pool components .....	6
IV. Preparing the ground .....	6
V. Assembling the pool.....	7
VI. Installing the pool skimmerfilter.....	9
VII. Safety ladder .....	12
VIII. Return Nozzle and Permanently Mounted Skimmer (not included) / Upgrading with an external sandfilter system .....	14
IX. Concerning in-ground use of pool .....	15
X. Preparing for winter.....	17
XI. Warranty .....	18
XII. Accessories.....	19

**Do NOT set  
up the pool in  
windy weather!**

### Important

Carefully read the entire manual and safety information before you begin setting up the pool!

As well, make sure that the carton contains all the required parts. Use the checklist!

## Parts List

1. Bottom and top profiles (identical), 2 x 14 pcs. (Ø4,60 = 2x 17 pcs) Must be adjusted - read manual
2. Small assembly tubes to bottom and top profiles, 56 pcs. (Ø4,60 = 68 pcs)
3. Strip to cover pool wall inside the assembly, 1 pc.
4. Pool liner 0.3 mm, 1 pc.
5. M6x11 mm screws, stainless steel, 20 pcs.
6. M6 nuts, stainless steel, 20 pcs.
7. M6 washer, stainless steel, 20 pcs.
8. Plastic caps for nuts, 20 pcs.
9. Pool wall, 0.3 mm steel, 1 pc.
10. Parts for safetyladder, see page 12.

### Note:

Do NOT set up the pool at times or locations that are very windy! KRETA family swimming pool is produced for above ground use. However, if the swimming pool is intended to be used in-ground, please look for general advice at [www.swim-fun.com](http://www.swim-fun.com) Product warranty is no longer valid if the pool is not used above ground.



## Safety Information

- Do not allow anyone to use the pool unless an adult is present.
- Never dive or jump into the water from the edge of the pool. Never sit or climb on the wall of the pool. The top seat cover on the uppermost part of the pool wall is not designed for such loads.
- ALWAYS follow the installation and safety instructions.
- Make sure that both your swimming pool and the filter are installed as indicated in the manual.
- Do not allow horseplay in or around the pool.
- Never make any modifications to the pool's construction or remove any parts from it. Always follow the instructions in the manual.
- The ladder must be placed on a solid foundation and must always stand perfectly straight. The ladder can only support one person at a time – and a maximum of 85 kg.
- Always face the ladder whenever climbing in and out of the pool.
- Never use the ladder for any purpose other than climbing in and out of the pool. Remove the ladder, when the pool is not in use.
- Regularly check that all parts of the pool and ladder are intact and in working order. Replace any worn parts, if necessary. Also make sure to tighten screws, nuts and bolts.

**Prevent Drowning Accidents! Children must always be supervised.**

**The edges of the pool are not designed to be used as platforms from which to jump or dive!**

## I. Necessary Tools

Make sure that you have within reach all the tools and materials needed to set up the pool: a shovel, a hoe, a rake, a plank longer than the radius of the pool, the bottom cover for the pool as well as fine gravel.

You will also need a cord, wide tape, size 8 and size 10 spanners, clothespins, a utility knife, pliers, spirit level, flat-headed and Phillips screwdrivers, two marking pegs and spray-paint – or else sand or powdered lime for marking. Before you prepare to set up the pool, we recommend that the supplied ladder be assembled. Start by installing the ladder steps before the two sides of the ladder are finally assembled – see page 49.

## II. Finding the Right Location for the Pool

The location selected for setting up the pool will greatly impact your subsequent satisfaction with it. **It is absolutely crucial that you select a solid and completely flat surface on which to set up the pool. The pool must be COMPLETELY level!**

Do not select a location near trees as this will present problems with fallen leaves in the pool.

Make sure that the selected location has access to electricity and water.

In the interest of child safety, it is recommended that the pool not be set up in locations to which children have easy access.

### III. Inspecting the Pool Components

We recommend that you ensure that you have the correct number of components before assembling the pool. See the separate checklist at the front of the manual.

### IV. Preparing the Ground

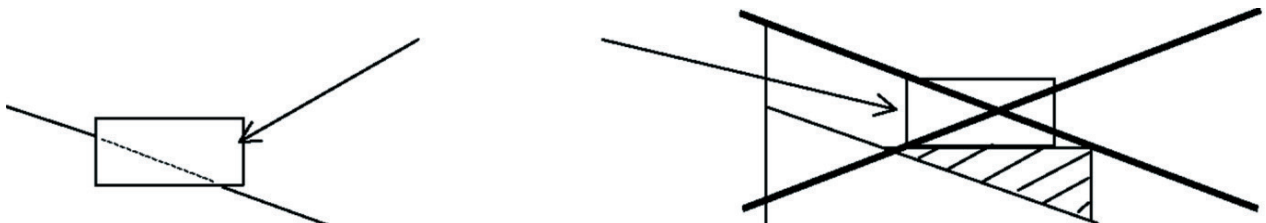
Place a marking peg in the middle of the location selected for the pool. Tie a string to the peg. The length of the string must be equal to the radius of the pool, plus a recommended 25 cm. This way, the pool's circumference is displayed on the ground by having one move completely around the marking peg in the centre. Use e.g. spray-paint or sand to mark out the circumference on the earth.

#### **Important:**

**The base of the pool must be solid and 100% level!!!**

#### **Warning!**

Do not fill the base with extra soil. It will result in a soft and unstable base when the pool is filled with water and thereby exert a downward pressure on the base of many tonnes!



Instead, always dig and remove some soil so that the base is completely firm and level. The soft grassy surface shall therefore always be removed if the pool is to be placed on a lawn.

For pool size  $\varnothing 3,50\text{M}$  use a spirit level taped to a plank two metres long in order to ensure that the base is level. Check in several different locations that the base is level. For pool  $\varnothing 4,60\text{ M}$  use a plank of two and a half metres long.

Finally, clear away the base thoroughly so that not only all the sod etc is removed, but also that all the small stones, twigs, branches and roots are removed from the pool area.

We recommend that you always place a ground cover under the pool in order to minimize mechanical wear and tear to the liner as well as to prevent it from being punctured by stones and roots coming from below. This also makes it more comfortable to walk on the bottom of the pool. A ground cover typically consists of several pieces that are arranged so that they overlap each other by 2 cm between the sections. At the final stage, any excess material is removed.

## V. Assembling the Pool

### 1. Collection of the bottom rails

In the pool area, the profiles are connected into a round bottom frame (use 14 of the profiles).

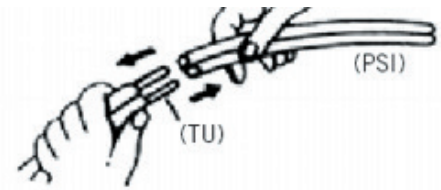


Fig. 1

Check that the circle is round and correctly placed in relation to the marking peg used in the base. It is very important to be certain that

the pool liner will subsequently be correctly positioned (Fig 2).

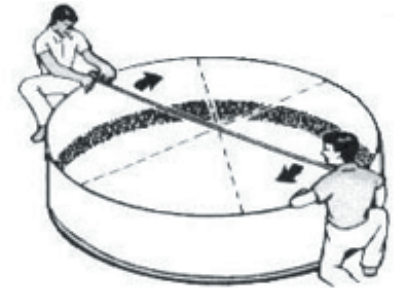


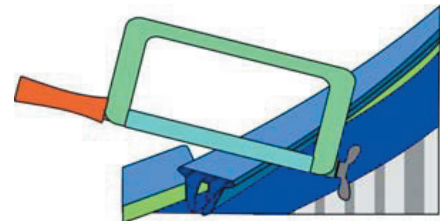
Fig. 2

### 2. Assembling the Pool Wall

This requires a minimum of two adults, preferably more, as it can be very “tricky” to work with the pool wall at this point. **Therefore, you should never set it up under windy conditions.**

Place the pool wall vertically on e.g. a piece of cardboard in the centre of the bottom frame. The wall is rolled out clockwise and then placed vertically into the bottom rail the entire way around. Remember to check that the pool wall is not being installed upside-down – the perforated part of the wall must be facing upward (not illustrated). These perforations shall not be used for any purpose when the included surface pool pump is used. The perforations are only important if you later wish to upgrade the pool with a sand filtration system and a built-in skimmer on the pool wall.

**NOTE** that the length of both the bottom and top rails must be adjusted on site for the pool wall. You therefore must saw a piece of the bottom rail off in order to be able to assemble to pool wall. Exercise caution at this point. Hold off on cutting a corresponding piece of the top rail until the pool is finally assembled.



### 3. Closing the Pool Wall

You **MUST** use all the screws and bolts provided. You must not leave any screw hole in the pool wall empty. Insert the screws from the inside and tighten them with the washers and nuts on the outside. Place the plastic caps over the nuts on the outer side of the pool wall.

### 4. Protection of the Liner

On the inside of the pool, the heads of the screws are covered with the accompanying liner strip which is taped to the wall in order to protect the pool liner from wear and tear (Fig. 3).

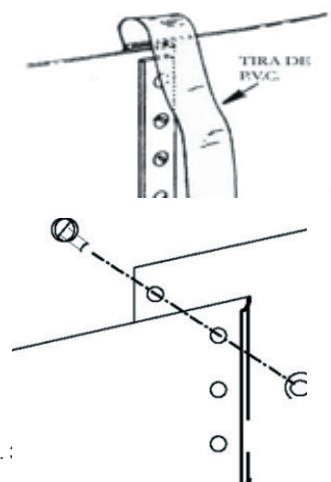
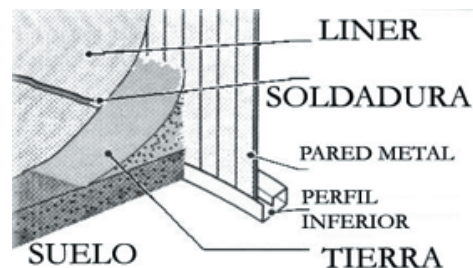


Fig. :



## **5. Check the Work Completed So Far**

Check one more time that the base of the pool is completely level and that the pool wall forms a perfect circle in order to avoid problems from arising in the subsequent installation of the liner. The latter can be done by measuring the diameter across the pool. Any errors must be corrected immediately before continuing with the assembly.



## **6. Layer of Gravel on the Inside of the Pool (Fig. 4)**

A small layer of gravel prevents the liner from being forced out under the pool wall. Therefore, there should be a layer in the space between the ground and the pool wall the entire way around. Use a gravel that does not contain small stones. Ensure that the gravel layer surface is solid and level the entire way around.

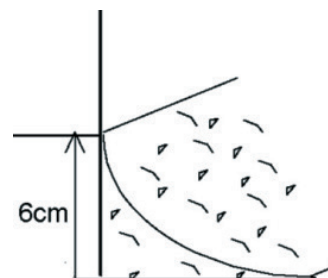


Fig. 4

## **7. Installing the Liner**

The pool liner is the most important and most delicate part of the pool. When opening the liner packaging, it is therefore important that you never use a knife or other sharp instrument. The liner should be kept separate when assembling the pool in order to avoid any accidental damage to the liner caused by tools or metal edges.

Several people are needed for the installation. The liner can very well be set out and be heated by the sun's rays before being unfolded. This makes the material more flexible and easier to work with. The outdoor temperature should be between 20 and 25 degrees when handling the liner. Never install a very cold liner or a liner whose temperature exceeds 25 degrees as different temperatures can easily warp the flexible liner material. This can affect the results of the assembly.

Check and see that there are no holes in the liner. Then spread the liner out as much as possible from the middle of the pool and all the way around the pool wall. The rugged side of the liner should face upwards/into the pool.

### **N.B.: Do not use shoes when the liner is being spread from the middle out to the pool wall!**

The uppermost part of the sides of the liner is held in place temporarily along the edge of the pool wall with clothespins or pieces of tape.



Check that the seam between the liner's bottom and sides is uniform along the length of the fixed gravel layer.

Check the diameter of your pool once more and at this point fill it with a maximum of 1-2 cm of water in the bottom of the pool. No more than that! Adjust/pull the liner the entire way around the pool so that the wrinkles are smoothed out as much as possible on the bottom and sides. This is best done by standing in the middle of the pool and smoothing the liner outward toward the sides of the pool. Please note: This can no longer be corrected once the pool is subsequently filled with more water!

Once the wrinkles in the bottom of the pool are minimized, it is then time to smooth out the wrinkles along the sides. Make sure that the liner is not pulled too tightly up over the edge of the pool before the pool is filled. It is still possible to tighten the liner slightly at a water level of approx. 30 cm, so hold off on attaching the top rail over the edge of the pool.

You can now fill the pool with more water. In the meantime, you should keep an eye out so that the pool does not lose its round shape. Remove the clothespins and attach the top rail in place on the edge of the pool. The top rails are attached in the same manner as the bottom rails and they should rest firmly in place the entire way around. The water line must not be any higher than approx. 15 cm from the edge.

Any excess floor cover can now be removed/cut away.

## VI. Installation of the Pool Skimmer Filter

**Important:** This manual contains important safety information about the installation and use of the skimmer filter. This manual should therefore be carefully read by the person installing the filter and by those who regularly handle the pool and filter. Keep this manual so that it is available should there be any questions as to the function and operation of the filter at a later time.

### Parts List:

In the carton containing the skimmer filter, you will find the following parts:

- 1. Bracket for wall mount
- 2. Floating surface skimmer
- 3. Cartridge filter
- 4. Motor and transformer



### General Description

This skimmer filter is intended for use in fresh-water swimming pools. It contains an electromechanical device, safety class IPX8 (resistant to the penetration of dust, solid particles and moisture).

### Connecting the Filter

The transformer shall be connected to a standard 230V 50Hz power source connected to an HPFI residual current device  $\leq$  mA.

### Installation

The installation of this filter system is not difficult. The instructions in this manual must be carefully followed. The skimmer filter shall be placed in the pool facing the wind so that any dirt or overflow water is more easily led toward the filter.

### Placement of the Mount

The mount arm is pushed into the filter mount brackets.

The skimmer filter and the filter holder are installed at the edge of the pool.

The nuts are inserted into the holes on the bracket sitting on the outside of the edge of the pool.

The two screws are inserted from the pool side and are screwed in place.

The filter system is now ready for use.

### Adjustments and Fastening

Loosen the mount and insert the skimmer filter so far down that the float is level with the water table. Please note that the float should be approximately halfway on the mount arm. Fasten the mount in place.



## How the Filter Works

The filter uses a 12V surface pump with a low voltage to circulate the water through a filter cartridge. There must always be water in the pump during operation. The pump has an overload switch which prevents damage in the case of overheating. This contact turns back on automatically once the motor has cooled down. The filter cartridge filters dirt, algae, oils etc from the water. The filter is cleaned by rinsing it under the tap.

## Starting the Pump

1. The pool shall be filled with water up to the edge of the filter. This water then flows into the filter and it is ready for use. NEVER attempt to start the pump unless there is enough water in the pool!
2. The filter will catch hair, insects, leaves and other major contaminants in the water. Always keep the filter clear of debris so that the pump does not get overloaded.
3. Plug the pump into an electrical outlet.

## The Filter in Operation

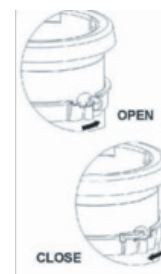
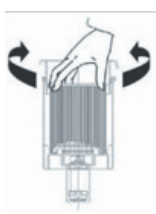
The filter is now running its normal filter routine. Continue to filter the water in the pool until it is clear and clean.

The filter must run at least 2 x 4 hours per day in order for the water volume to be filtered twice per day. Between each interval, it is best that the pump rest a few hours. You may wish to connect a timer. During periods of hot weather and a high degree of bathing activity, the filtration time must be increased as the need for the water to be treated with water care products also increases.

The pump is most effective when the filter is clean. If on the other hand the filter is filled with collected debris, the water cannot circulate properly. Remember to examine the filter as soon as the flow decreases, or every five hours the pump has been running, whichever comes first. If the filter looks dirty, then it must always be cleaned!

## Cleaning the Filter

1. Turn off the power supply
2. Remove the filter
3. Rinse the filter with a garden hose or under a tap. The filter can also be washed in an automatic dishwasher. Rinse off both the inside and the outside. Further cleaning can be done by rinsing the filter in warm, soapy water. If there are small lime deposits on the filter strips, it will no longer clean effectively and should therefore be replaced by a new filter. If the filter is full of algae and dirt, use an extra powerful stream of water to clean it. Never let the filter dry out as that both makes cleaning difficult and destroys the filter. Always have a spare filter on hand and ready to use.
4. Place the filter back into the skimmer. Carefully secure it back in place and close the filter.
5. Turn on the power source and continue the filtration



**YOU MUST KEEP THE FILTER CONTINUOUSLY CLEAN IN ORDER TO MAINTAIN THE PROPER WATER FLOW IN THE POOL!**

**Only use the filter intended for this pool; purchase it from your local pool retailer. The filter must be covered by water at all times or else you risk damaging the pump.**



Never apply chemicals directly to the skimmer. Rather, they must be dissolved in a bucket of water before spreading them along the edge of the pool. Alternatively, you can use child-safe liquid chloride dispensers.

For more information on water treatment and pool accessories, contact your local pool retailer or go in to [www.swim-fun.com](http://www.swim-fun.com)

### Technical Data

- Filtration speed 2.98 m<sup>3</sup>/h
- Flow rate 2 m<sup>3</sup>/h
- Motor 72W
- Voltage 12V
- Transformer 230/12V
- IP class I IPX8

### Electrical Components

The filter system is a low-voltage type and is guarded against water penetration. If the cord or other component is damaged, the entire filter pump must be replaced in order for the system to be safe to use.

### Removing the Skimmer Filter

If damage has occurred to the filter system, proceed as follows:

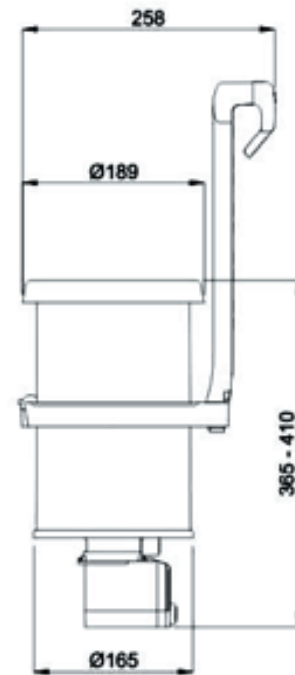
- Disconnect the filter system from the power source
- Remove the filter system from the pool
- Remove the filter pump from the system

### Winterization

The filter system must be removed and kept frost-free during the winter. Likewise, the filter system must be removed when it is not to be used for a protracted period. When removing the filter, it must be cleaned before it dries out. When winter is over, the system is placed into the pool once more as described when first put to use.

### Safety Directives

- There must be a minimum distance of 3.5 meters between the transformer and the pool
- Electrical installations must be performed by a qualified electrician
- The filter system must be turned off when the pool is being used
- The filter system must NEVER be run without water
- Do not touch the system with wet hands while it is running
- If the filter must be handled, the power source must always be disconnected first
- If the filter must be handled, it must always be done on a dry surface
- Never store the filter in a moist location; it can cause an electric shock
- Children and adults alike must never sit on or lean against the filter
- If the cord is damaged, the entire system must be replaced
- Any questions may be directed to your pool retailer or to [info@swim-fun.com](mailto:info@swim-fun.com)

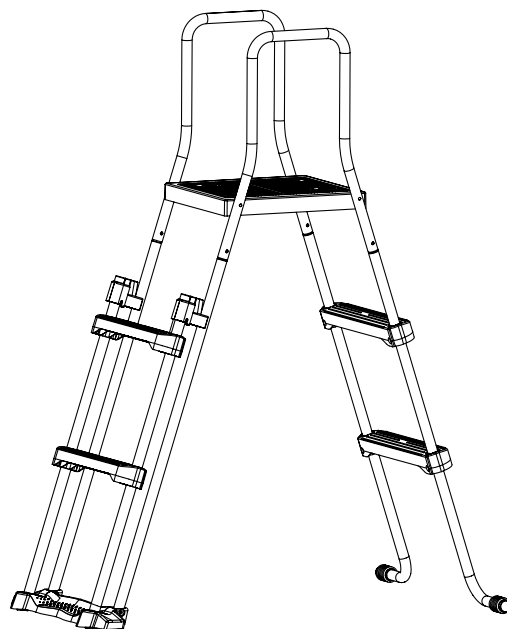


## VII. Safety ladder

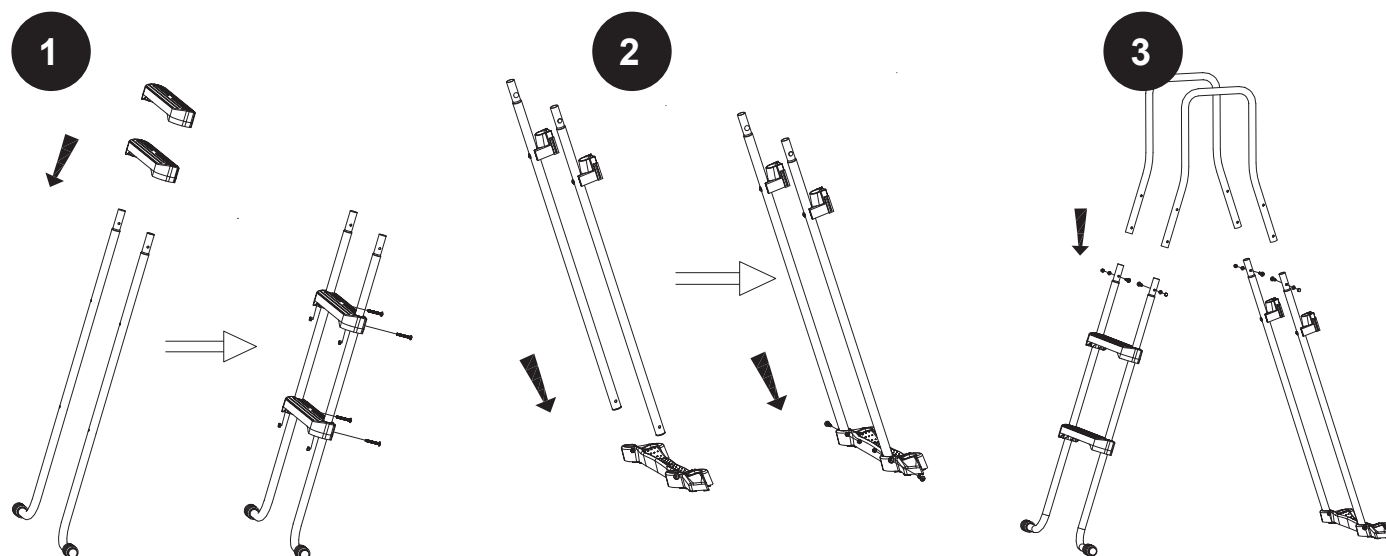
A ladder is included with this pool.

The maximum load on the ladder is 85 kg.

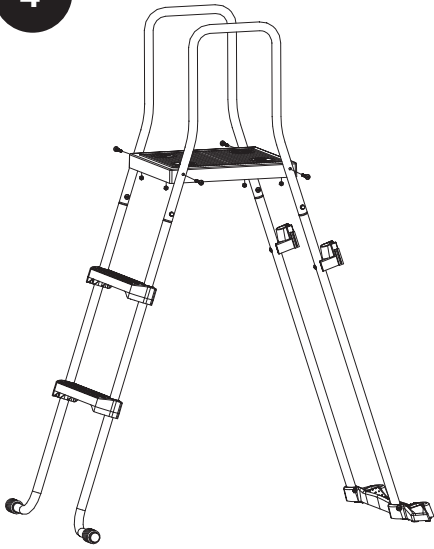
Start by installing the ladder steps before the two sides of the ladder are finally assembled



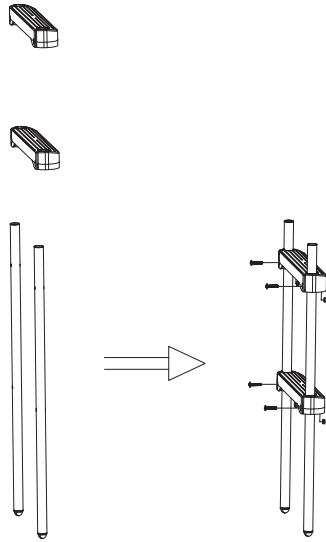
NO.	NAME	MATERIAL	QTY
1	M6X30 bolt	SUS304	4
2	M6 washer	SUS304	4
3	M6 cap nut	SUS304	4
4	step	PP	4
5	M6 lock nut	SUS304	10
6	M6X40 Bolt	SUS304	2
7	bracket	COATED STEEL	2
8	studdle	COATED STEEL	2
9	foot bar	COATED STEEL	4
10	lock	PP	2
11	M6 nut	SUS304	4
12	handrail	COATED STEEL	2
13	sitting platform	PP	1
14	M6X45	SUS304	12



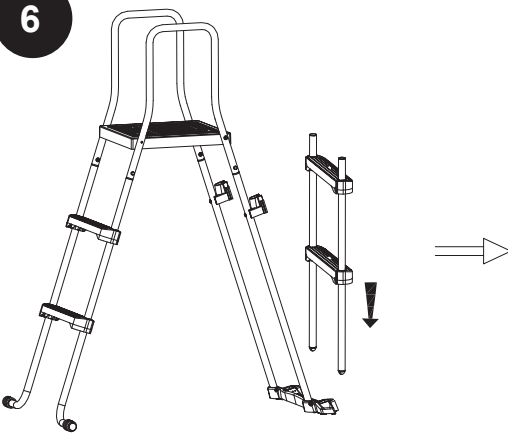
4



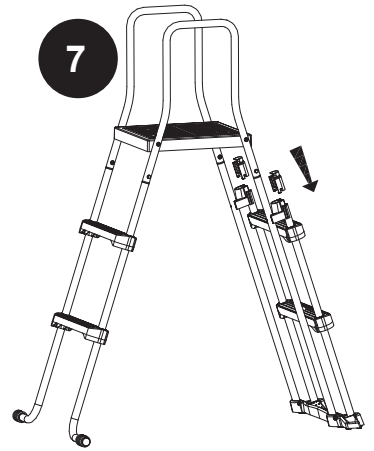
5



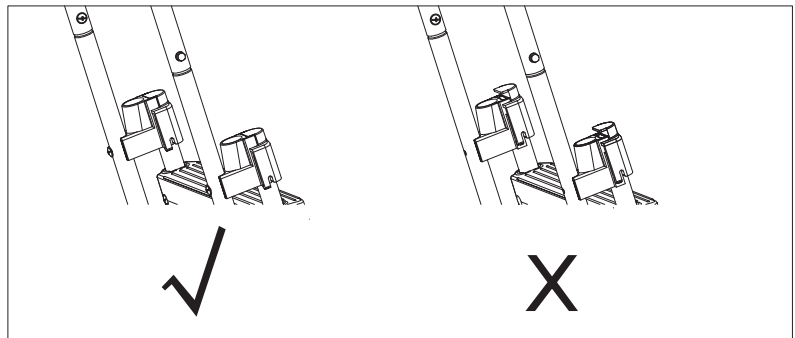
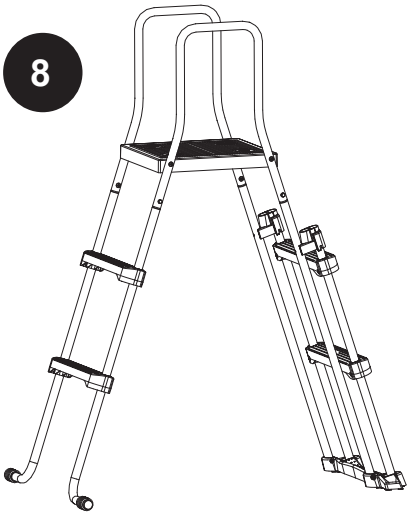
6



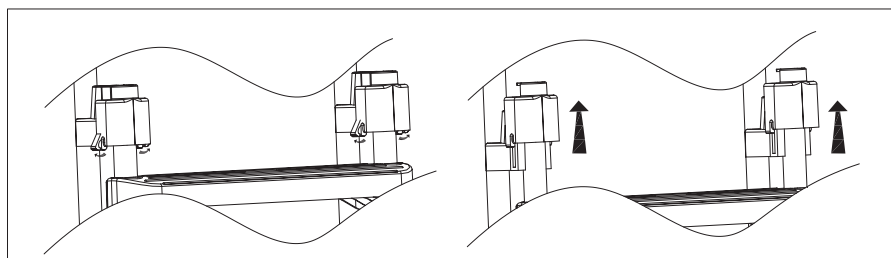
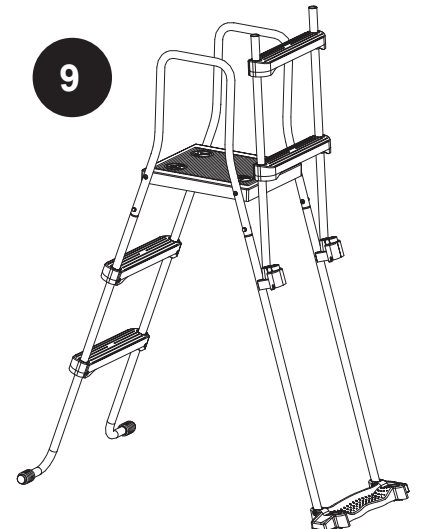
7



8



9





**See list  
with necessary  
accessories  
on page 3**

## VIII. Upgrading with an external sandfilter system *(optional – not included with the pool)*

### Return in-let and In-Wall Skimmer

The Kreta garden pool is prepared so that it easily can be “upgraded” later to be used with an external sand filter system. A sand filter system with a cleaning efficiency of at least 4 m<sup>3</sup>/h when operating will provide cleaner and crystal clear pool water, minimize the need for chemicals and enable for the use of solar panels and make for an efficient cleaning of the bottom of the pool

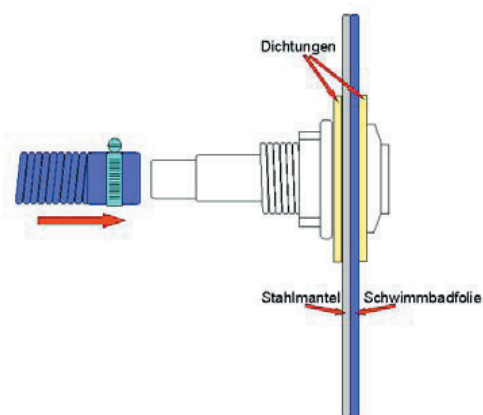
Saw/cut carefully the round perforation out from the pool wall and the square perforation for the skimmer. This cannot be done with a liner on the inside of the pool, so the liner must first be gently removed from the top rail in the area – or alternatively it can be replaced with a new liner. When assembling the pool anew, holes are prepared in the pool wall before the liner is installed in the pool.

### Return Pipe

Fill the pool with water to a level 5 cm of beneath the round perforation for the return pipe.

Then cut a cross in the liner with a sharp utility knife – without cutting beyond the perforation of the hole.

Now install the return pipe inlet with 1 gasket from the pool side outward. The resulting triangles of surplus liner must be cut cleanly and precisely along the exterior of the nozzle. In this manner, install the second gasket from the pool's outer side and tighten the large nut outside the gasket. Use Teflon tape on the threads. The return inlet must sit tightly, but do not over-tighten the nut (tighten carefully).



If the return inlet is supplied with a loose junction for the installation of a filter hose, then Teflon tape must also be used on the threads when the parts are assembled.

Once the return inlet is correctly installed, the skimmer can be installed.

### The skimmeren

Remove the skimmer's square surface plate from the skimmer itself. Note that the skimmer may have been supplied with either 2 pcs single gasket or one pcs sandwich gasket.

### Installation with two skimmer gaskets

Take the square inner frame of the skimmer kit (hard plastic) and one of the gaskets.

Place a screw in each of the upper holes.

Place the skimmer frame on the inside of the pool and push the screws from the inside out through the two perforations or holes in the pool wall that fit. Thus the liner will also be penetrated. Make sure beforehand that the skimmer frame and gasket are positioned correctly so that all the holes are in alignment. On the other side of the pool wall, the other gasket is installed and then the screw is fastened into the screw holes of the skimmer housing.

Similarly, the other screws are installed from the inside of the side of the pool and out through the gaskets and into the skimmer housing. All screw holes are subsequently aligned through the pool wall if installed correctly.

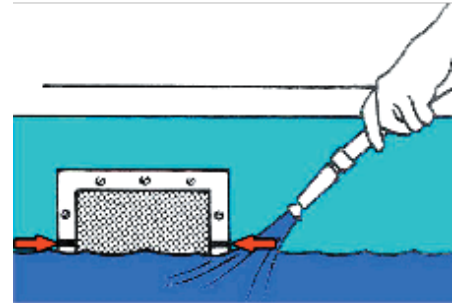
Make sure that the skimmer gaskets are uniformly installed along the perforation on both sides.

Tighten the screws in pairs diagonally and tighten evenly to ensure that it is watertight. Only use a manual screwdriver and be careful not to over-tighten the threads (do not use an electric machine!).

Using a sharp knife, remove the liner around the edge inside the skimmer opening. Then retighten the screws carefully.

### **Installation with a Sandwich Gasket**

Fill the pool up to approx. 5 cm below the skimmer perforation. Carefully cut out an equivalent hole from the perforation in the pool wall. Install the gasket in the skimmer perforation in the wall so that it rests on both the liner and the pool wall. Watch to see that it aligns correctly with the screw holes on all four sides. Now, from the inside, fasten the skimmer's inner frame to the skimmer housing with screws.



*Detailed information on filtration, water care, winterization and accessories etc are available from your pool retailer or at [www.swim-fun.com](http://www.swim-fun.com)*

## **IX. Information concerning in-ground use of pool.**

Our steel wall pools are basically designed to be used above-ground in the garden. It should be noted therefore that the product warranty does not cover damage caused by improper installation or if the pool is used as an in-ground installation. If you want to use the pool in-ground it is recommended to contact a pool professional to handle this task. If you wish to use the pool in-ground so the following important advance rules are followed:

### **Location:**

Check your local authority whether any permission is required to place a pool in the desired location. It is recommended that you always contact your insurance company before you install an in-ground pool. It is you as a pool owner, who is obligated to inform your insurance company that you have pool on your lot.

### **Preparation:**

Select the area where the pool should be.

For round pools the installation area should be diameter 1 meter wider than the pool itself. For oval pools then the area must be one meter longer than the length of the pool and two meters wider than the width of the pool.

### **Base:**

The base of the pool must be completely level and 100% solid. Never install a pool on a base which is not firm and solid. This can cause the pool construction to become unstable because of the weight of the water. Remember that 1000L => 1m<sup>3</sup> => 1000 kg! There cannot be any holes in the base, small rocks, plants or roots that could perforate the liner.

We recommend to make a net-enhanced concrete base with a thickness of 15 cm. This base should be completely smooth and 100% level.

To protect the liner always place a ground cover on top of the concrete base. If desired you can in addition place a layer of insulating bottom plates in 50 mm hard styrolit material, which is otherwise used to insulate domestic floors. If styrolit is used you should place the ground cover on top of the styrolit.

Choose a sunny location for the pool which is also close to water, drainage and electricity.

Do not place the pool above electric cables in the ground, gas cables in the ground, or in areas with high levels of ground water.

Do not place the pool under electric cables in the air.

Select a location that provides shelter and where there are no trees close to the pool as leaves otherwise continuously will enter the pool. Position the in-wall skimmer so that the wind will normally blow towards it.

Remember that the filter and the pump of the pool must always be installed so that it is in level with the pool bottom.

### **Excavation:**

Remember to take the placement of the in-wall skimmer, return inlet and the ladder into consideration. The excavation should be 15 cm deeper than the pool's height. If the pool is 90 cm in height so the depth must be 105 cm.

### **Installation - Option 1: Construction together with a pool deck in wood**

When the pool base is ready the pool must be constructed in the same way as if it were standing freely as an above-ground pool in the garden. We always recommend to have the pool standing freely in the hole without any contact to other structures. For this reason the earth must be leveled off the bottom plate and it must be sloping outwards so that no soil and gravel can move down to the pool wall, even in heavy rain, etc.

The pool will therefore have to be in a "funnel-shaped" hole with horizontal base plate. One may choose to provide the inclined ground walls in various ways. For example, with bricklaying or another, it stands no major role, just make sure that the pool is always free in the hole. We recommend to ask a construction expert on how this should be done in the best way for your site.

It is recommended to complete this in-ground use by building a pool deck in wood around the pool. Close to the pool this pool deck is supported with poles placed in a ring about 20-30 cm from the pool edge. In this way, you get an "in-ground" pool at ground level with a surrounding pool deck, where it is comfortable to move and relax.

### **Option 2: Construction without pool deck in wood**

Some pool owners choose to construct an in-ground pool in a more traditional way. If so the pool must be constructed as aforesaid on the base plate and the pool and filter system must be connected with reinforced flexible hose or alternatively with hard pvc pipe. The filter and the pump must be placed in an in-ground separate shaft which must have enough space for the ongoing effortless handling. Remember to take the position of the skimmer, return in-let and ladder into consideration.

### **Installation:**

Follow the instructions in the manual so that the pool is constructed in the same way as if it was standing freely on the ground. The pool is connected to the filter system with hard PVC pipe or with reinforced pool hose.

Fill the pool with water. When your pool is filled with water, always do it with a standard garden hose, so the liner in your pool gets the needed time to expand as it should. Please note you should never fill your pool with water from a fire truck or similar because the water filling can be too strong and this may damage your pool.

Place several layers of insulating material 20 mm (Styrofoam) around the pool wall. Insulation is secured with tape. This insulating cover must completely isolate the pool wall from any direct contact with sand, concrete or other materials.

The gap between the land and the edge of the pool must be filled with dry concrete, in a mixture of 1/5 cement and 4/5 of fine gravel without stones. Firstly always remember to fill the pool with water. This work must

be done in stages. Make approx. 30 cm at a time all the way around up the pool every time. Do not tamp the material very hard as it can put pressure on the pool wall and cause dents.

Note that if you choose to install an oval pool in-ground in this traditional way it is always imperative to establish supporting walls on each long side of the pool to relieve the inward pressure from the ground.

### **Maintenance of pool:**

You must check that your pool is in perfect condition. The liner must be clean, pool hoses must be properly connected, the ladder must be properly set up and the filter system must work without problems.

Remember to check the water pH and chlorine value is properly adjusted so that the water is kept fresh and disinfected.

## **X. Winterizing**

When summer ends or bathing season is over, follow these instructions to make the pool ready for winter. This is normally done in October.

### **Important!**

Pls note that the pool needs to be water filled at all times - an empty pool will collapse!

If you do not follow the advice of winter preparation, it may void your warranty, and, at worst, your pool may be damaged during the winter.

### **Clean the pool thoroughly**

Clean the pool well from leaves and debris on the pool bottom. Always check and adjust the PH level if needed. Once the pH level is adjusted the pool water must be given a shock treatment with fast dissolving pool chlorine. After two days check the levels for PH and chlorine once more and adjust once more if needed. If chlorine level is low then do another chlorine shock treatment. Then add some pool winterizer which minimizes the growth of algae during the winter.

#### **1. Lower the water level in your pool.**

Lower the water level in the pool until it is approx 5 cm below the in-wall skimmer. Close the return in-let with a winter plug (item 1519). Alternatively the water level must be below the return- in let. Remove all hoses that are connected to the skimmer and pump. Let the skimmer remain mounted. Make sure the skimmer is used with the top lid and that the opening at the bottom is open to allow any water to run out.

**2.** Empty the filter and the pump completely from water. This is done by using the drainvalves. Keep the filter and the pump together with the empty pool hoses in a frost free location during the winter.

#### **2. Check all joints and screws.**

Make sure all frame joints are secure. Check that the pool wall remains correctly mounted in the bottom rails. Make sure all screws and bolts are properly screwed on.

### 3. Make sure that there is no rust.

Paint all rusted areas with anti-rust paint.

### 4. Check the liner.

Make sure the top of the liner is securely attached to the pool wall with the plastic list. Do not remove the liner from the pool. Make sure there are no holes in the fabric. Repair any holes with a pool repair kit. Small holes in the winter can cause major damage to the pool.

### 6. Pool accessories.

Remove all accessories from the pool, including the ladder.

### 9. Minimize potential damage from heavy icing.

Flexible "Ice absorbers" in the surface of the water (item 1613) should be used to prevent ice packs in the pool with friction damage to the liner to follow (such damage is NOT covered by the warranty).

### 10. Cover the pool with a winter cover

In order to avoid too much dirt and growth conditions for algae and bacteria, the pool should be covered with a dark winter cover which does not allow sunlight to enter the water.

**Get detailed information on filtration, water care, wintering and accessories mm.  
Available from your pool dealer, or alternatively on [www.swim-fun.com](http://www.swim-fun.com)**

## XI. Warranty

There warranty period is according to Danish law regarding purchase. The warranty period applies from the date of purchase on your purchase receipt. The receipt must be presented at service calls during the warranty period. It is therefore important that you save your sales receipt.

The warranty does not cover normal wear and tear, scratches, abrasions or cosmetic damage. More specifically, the warranty does not cover damage caused if:

- Improper use or handling
- Fall or shock
- Repairs, alterations or etc. performed by anyone other than Swim & Fun Scandinavia

In the event of guarantee claims please contact your dealer. When returning a defective product, it must be packed in such a way that it is not damaged during transport. It is your responsibility that the product arrives safely. You must state your name, address, phone number and preferably your e-mail address. If the product are to be returned to you! Always remember to state what is wrong with your product.

For more informations and tips, check our website: [www.swim-fun.com](http://www.swim-fun.com)

This manual is protected by the copyright law

#### Swim & Fun Scandinavia – hotline:

Denmark +45 7022 6856  
Sweden +46 771 188819



## XII. Accessories

### Recommended basic pool equipment:



#### Ground Cover

Don't forget this! Before the pool is set up, you should lay out a ground liner under the pool. The liner protects against mechanical abrasion and to penetration from below by small stones or roots. The liner also makes the pool bottom comfortable to walk upon.

Article: 1566 Ground cover Ø3,50M  
Artikel: 1620 Bunddækken Ø4,60M



#### Summer cover

A summer cover insulates the pool, so you do not have large heat losses, when the air cools down at night. The cover can hold the temperature up in the pool and even extend the bathing season. It also minimizes the water evaporation and protects from airborne dirt and leaves ending up in the pool. If you have a sun heater connected to the pool, the summer cover is an absolute must. Place it on the water surface with air bubbles face down

Article: 1564 Sommercover Ø3,50M  
Article: 4925 Sommercover Ø4,60M



#### Winter Cover

A winter cover must be used in the fall, when you're not enjoying the pool any longer. It also protects against airborne dirt and leaves from ending up in the pool. Fasten the cover around the pool with the supplied safety wire and lock. The pool is also protected against

unwanted access, - though it's not really a safety cover. It can also be used if you do not use the pool for long periods at other times of the year.

Article 1581 Winter cover Ø3,50M  
Article 1607 Winter cover Ø4,60M



#### Telescopic pole

3 parts 1,20 – 3,60M telescopic

Article: 1515



#### Pool Vacuum Head

For cleaning the bottom of the pool. It can be used with the water pressure of the garden hose. Recommended

for pools without a sand filter system. It fits the telescopic pole (1515).

Article: 1514



#### Leaf Rake

For cleaning the water surface for floating leaves, etc. Suitable for telescopic pole (1515)

Article: 1506



#### Deep Leaf Rake

For cleaning the bottom of the pool for leaves, dirt and so on. Suitable for telescopic pole (1515).

Article: 1507



#### Wall Brush

Extra-large and soft pool brush. To be used for cleaning the pool liner. Suitable for telescopic pole (1515).

Article: 1504



#### Pool chlorine dispenser

Used for dispensing slow dissolving chlorine tablets (20Gr.)

**Special child-proof model!**

Article: 1567



#### Thermometer

Showing bathing water temperature.r.

Article: 1527

**If you wish to UPGRADE your KRETA pool with a Sand Filter System, you also will need the following items:**



#### Pool Skimmer kit

Skimmer to be built into the pool wall. (The pool wall is already prepared) The skimmer kit comes complete with a return inlet.

Article: 1533



### Skimmer net

The net effectively catches leaves, hair etc. in the skimmer. Can also reduce the need of chemicals and water. The sand filter system will not need to be back washed so often, when using net.

Article 1549 (5 pcs.)



### Pool Hose

Flexible hose for above ground pools. Size Ø:32 mm and Ø:38 mm. Both sizes can be used for SWIM & FUN's skimmer and sand filter system.

Article: 1582 Ø32 mm pool hose 6,6 meter (can be cut into 1,20 m. sections)

Article: 1542 Ø38 mm pool hose, 9,0 meter (can be cut into 1,50 m. sections)



### Sand Filter System

The Sand Filter System 1044 has a cleaning effect of 4500 liters/hour. A sand filter effectively cleans the water, and the pump can also be used as a suction of the pool bottom or circulation of water through a Sun Heater. The Sand filter is self-cleaning and sand should not be changed during the season.

Article 1044



### Filterballs

for Sand Filer Systems in stead of sand. 700g = 25 kg sand,

Article 1069



### Filter sand

Special filter sand for Sand Filer Systems (grain size 0,4 – 0,8 mm).

Article 1536: bag of 25 kg.



### Pool Vacuum Head

For cleaning the bottom of the pool. Weight loaded with side brushes - recommended when using a sand filter system.

Article 1513

## Winter accessories

Accessories to prevent from frost damage to your pool.



### Winter protection for the skimmer

The skimmer protector can be installed in the pool skimmer for winter. It absorbs the extra pressure from icing in the skimmer.

Article: 1612



### Pool ice absorbers

Pool ice absorbers can be placed across in the pool. They float in the surface and absorb the pressure from the icing and reduce the danger of frost damage on the liner.

Article: 1613



### Winter plug for the return inlet

A plug to close the return inlet, when you need to dismount the hoses.

Article: 1519



### Shut-off valve

Use 2 pcs. For one pool. One for the skimmer and one for the return in let

Article: 1555

## Water Care

You will need these basic water care products for your pool.



### pH Minus

Use pH Minus as needed when your pH level is over the ideal level 7.0-7.4.

Article: 1714 -1,5 kg.

---



### pH Plus

Use pH Plus as needed when your pH level is under the ideal level 7.0-7.4.

Article: 1712 -1,5 kg.

---



### Klor Starter

Fast and efficient disinfection of the water when the pool is filled with water. Can be used regularly in the bathing season, for shock treatment of the water.

Article: 1701 -1 kg.

---



### Klor Weektab

Slow dissolving chlorine. 20 gr. tablets keeps. Keeps the water clean and fresh.

Article: 1737 -1 kg.

---



### Combi tabs

Chlorine free. CombiTabs 20gr. Special"3 in 1" tabs. The ultimate care tabs for chlorine free water care.

Article: 1758

---



### Pool Test Strips

Test Strips for easy measurement of the pH / chlorine values.

Article: 1737 – 50 stk.

---



### Klar Pool

Are used to prevent the formation of algae in your pool.

Article: 1716 -1 l.

---



### Easy Pool

EasyPool can be used as an all – in-one pool care item . It is a very easy and simple alternative to using Slow Chlorine and Clear Pool. One EasyPool unit keeps the pool fresh for

1-2 months. EasyPool is safe to use, children cannot get to any chemicals. Easy Pool Mini fits

pool sizes 2-10.000L. EasyPool Maxi fits pool sizes 10.000 – 50.000L

Article: 1775 – mini

Article: 1776 - maxi

---

## DK Indholdsfortegnelse:

Vigtige informationer – stykliste.....	22
I. De nødvendige værktøjer .....	23
II. Find det rette sted til poolen.....	23
III. Kontrollér poolens komponenter .....	24
IV. Klargøring af underlaget .....	24
V. Opstilling af poolen .....	25
VI. Montage af skimmerfilter.....	27
VII. Sikkerhedsstige.....	30
VIII. Returdyse og skimmer (ekstra tilbehør) / Opgradering til eksternt sandfilter .....	32
IX. Nedgravning af pool.....	33
X. Vinterklargøring.....	35
XI. Garanti .....	36
XII. Tilbehør .....	37

**Poolen  
må IKKE stilles  
op i blæsevejr!**

### Vigtigt

Læs hele manualen og sikkerhedsoplysningerne, inden opstilling af poolen påbegyndes!

Ligeledes bør det afstemmes, at alle komponenter er indeholdt i kartonen. Benyt styklisten!

## Stykliste

Bund- og topprofiler (ens), 2x14 stk. (Ø4,60 = 2x 17 stk). Skal skæres til senere – se vejledning.

Små samlerør til bund- og topprofiler, 56 stk. (Ø4,60 = 68 stk)

Blå strips til afdækning af poolvæggens inderside over samling, 1 stk.

Poolliner 0,30 mm, 1 stk.

M6x11 mm skruer, rustfrit stål, 20 stk.

M6 møtrik, rustfrit stål, 20 stk.

M6 spændeskive, rustfrit stål, 20 stk.

Plasthætter til møtrikker, 20 stk.

Poolvæg, 0,30 mm stål, 1 stk.

Dele til sikkerhedsstige, se side 30.

### Bemærk

Påbegynd IKKE opstilling af poolen på dage eller steder med megen vind! KRETA familiepool er beregnet til brug som fritstående pool. Såfremt nedsænkning i jorden alligevel ønskes, kan der hentes råd og vejledning på [www.swim-fun.com](http://www.swim-fun.com). Garantien bortfalder ved hel- eller delvis nedgravning.

## Sikkerhedsinformation

- Lad ikke nogen benytte poolen med mindre en voksen person er til stede
- Der må aldrig dykkes eller springes i vandet fra poolkanten. Der må ikke sidde eller klatres på poolvæggen. Kantlisten øverst på poolvæggen er ikke konstrueret til en sådan belastning.
- Følg ALTID opstillingsinstruktionerne samt sikkerhedsinstruktionerne
- Vær sikker på, at både din swimmingpool og filteret er opstillet som anført i manualen.
- Tillad ikke vild leg i poolen, eller i nærheden af denne.
- Der må aldrig ændres på poolens konstruktion eller fjernes dele heraf. Følg altid instruktionerne i manualen.
- Stigen skal placeres på et solidt fundament, og den skal altid stå helt lige. Stigen kan bære én person ad gangen – og maksimalt 85 kg.
- Hav altid ansigtet mod stigen, når du stiger i/ud af poolen.
- Brug aldrig stigen til andet end at stige ind og ud af poolen. Fjern stigen når poolen ikke benyttes.
- Kontrollér regelmæssigt, at alle dele af poolen og stigen er intakte og funktionelle. Udskift om nødvendigt slidte dele. Sørg desuden for at efterskrue skruer, møtrikker og bolte.

**Undgå drukneulykker! Hold altid børn under opsyn.**

**Poolens kanter er ikke designet til at springe ud fra eller til at dykke fra!**

## I. De nødvendige værktøjer

Vær sikker på, at du har alle de værktøjer og materialer, som kræves for at opstille poolen inden for rækkevidde; en skovl, en hakke, en rive, en lægte, der er længere end poolens radius, bunddækken til poolen samt fint grus.

Du vil også få brug for snor, bred tape, fastnøgler str. 8+10, tøjklammer, en hobbykniv, en tang, et vaterpas, skruetrækkere med flad- og stjerneker, to mærkepinde samt farvespray – alternativt sand eller kalkpulver til opmærkning. Før der gøres klar til opstilling af poolen, anbefaler vi, at den medfølgende stige samles. Start med at montere stigens trin, inden de to stigesider samles til sidst – se side 7.

## II. Find det rette sted til poolen

Det valgte sted for opstilling af poolen har en meget stor betydning for den efterfølgende tilfredshed med poolen. **Det er 100 % afgørende at vælge et fast og helt lige underlag at opstille poolen på. Poolen skal stå HELT lige!**

Vælg ikke et sted tæt på træer for at undgå problemer med nedfaldne blade i poolen.

Vær sikker på, at der på det valgte sted er tilgang til elektricitet og vand.

Af hensyn til børnesikkerheden anbefales det, at poolen ikke opstilles på steder, hvor børn har adgang.



### III. Kontrollér poolens komponenter

Vi anbefaler, at komponenters korrekte antal efterses, inden poolen opstilles. Se styklisten på første side i manualen.

### IV. Klargøring af underlaget

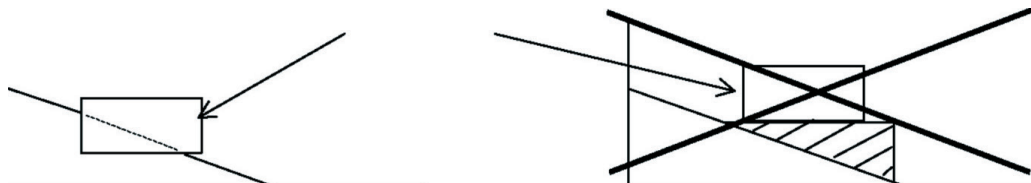
Sæt en markeringsping i midten af den plads, som er valgt til poolen. Bind en snor fast til pinden. Snorens længde skal være lig med poolens radius + anbefalet 25 cm. På denne måde kan poolens omkreds vises på jorden ved at en person bevæger sig hele vejen rundt om markeringspinden i midten. Brug f.eks. farvespray eller sand til at afmærke omkredsen på jorden.

#### Vigtigt

**Poolens underlag SKAL være fast og 100 % i vater!!!**

#### Advarsel:

Undlad at fylde på underlaget med ekstra jord. Det vil give et blødt og for ustabil underlag, når poolen fyldes med vand, og dermed trykker ned på underlaget med en vægt på mange tons!



Grav i stedet altid underlaget ud, så underlaget er helt fast og i vater. Den bløde græstørvsoverflade skal således altid fjernes, såfremt poolen skal stå på en græsplæne.

Benyt et vaterpas, der tapes fast på en lægte i to meters længde, for at sikre, at underlaget er lige. Kontrollér flere forskellige steder, at underlaget er lige.

Til sidste rives underlaget grundigt, så ikke bare alt græstørv mv., men også alle småsten, grene og kviste og rødder fjernes fra poolområdet.

Det anbefales ubetinget at placere et **bunddækken** under poolen for at minimere mekanisk slid på lineren samt at forhindre, at den kan perforeres af sten og rødder nedefra. Det gør også poolbunden mere behagelig at gå på. Et bunddækken består typisk af flere stykker der placeres med et overlap på to cm. mellem stykkerne. Overskydende materiale fjernes til sidst.

## V. Opstilling af poolen

### 1. Samling af bundskinnerne

På poolområdet samles profilerne til en rund bundramme (brug 14 stk. af profilerne) (fig.1).

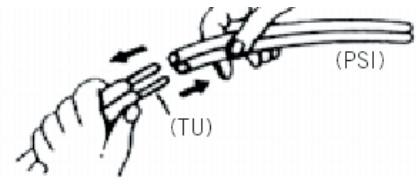


Fig. 1

Kontrollér at cirklen er rund og placeret korrekt i forhold til den benyttede markeringspind i underlaget.

Dette er meget vigtigt for at sikre, at poolens liner efterfølgende kommer til at ligge korrekt (fig.2).

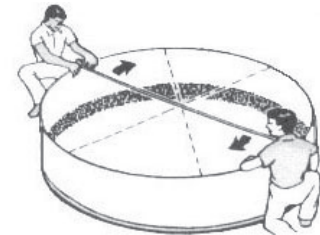


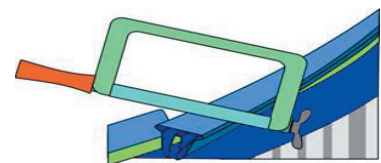
Fig. 2

### 2. Opstilling af poolvæg

Til dette kræves minimum to voksne personer, gerne flere, da poolvæggen på dette tidspunkt kan være ret "levende" at arbejde med. **Opstil derfor aldrig i blæsevej!**

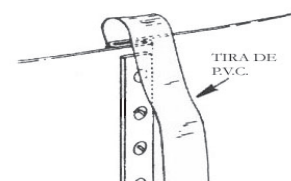
Stil poolvæggen lodret på f.eks. et stykke pap i centrum af bundrammen. Væggen rulles med uret ud, og placeres derefter lodret i bundskinnen hele vejen rundt. Husk at kontrollere, at poolvæggen ikke monteres "på hovedet" – det udstansede område på væggen skal vende opad (ej illustreret). Disse udstansninger skal ikke bruges til noget, når den medfølgende poolpumpe benyttes. Udstansningerne har først betydning, såfremt man senere måtte ønske at "opgradere" poolen med et sandfiltersystem og en indbygget vægskimmer i poolvæggen.

**BEMÆRK** at længden på bund og top skinner skal tilpasses på stedet til poolvæggen. Der skal derfor saves et stykke af bundskinnen før at poolvæggen kan samles. Vær omhyggelig med dette. Vent endnu med at save et tilsvarende stykke af topskinnen indtil poolen er endeligt samlet.



### 3. Lukning af poolvæggen

Du SKAL bruge alle medleverede skruer og bolte. Der må ikke være et ubenyttet skruehul i poolvæggen. Isæt skruerne fra indersiden og spænd dem med spændeskive og møtrik fra ydersiden. Påsæt plasthætter over møtrikkerne på poolvæggens yderside.



### 4. Beskyttelse af lineren

På indersiden af poolen, dækkes skruehovederne med det medfølgende stykke blå strips, som tapes fast på væggen for at beskytte poolens liner mod slitage (fig.3).

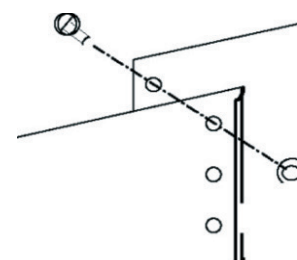
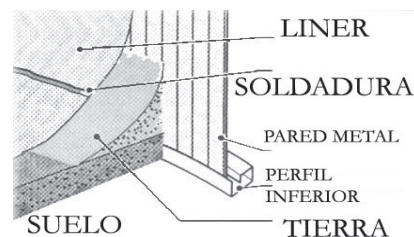


Fig. 3

## **5. Tjek det hidtil udførte arbejde**

Undersøg en ekstra gang, at poolens underlag er helt i vater, og at poolvæggen står i en perfekt cirkel, så der ikke vil være problemer med den efterfølgende montering af lineren. Sidstnævnte kan gøres ved at krydsmåle over poolen. Eventuelle fejl skal rettes med det samme, inden opstillingen fortsætter.



## **6. Grusvold på indersiden af poolen (fig.4)**

En lille grusvold forhindrer, at lineren evt. kan presse sig ud under poolvæggen. Derfor bør der være en vold i overgangen mellem bund og poolvæg hele vejen rundt. Brug grus uden småsten. Giv grusvolden en fast og ens overflade hele vejen rundt.

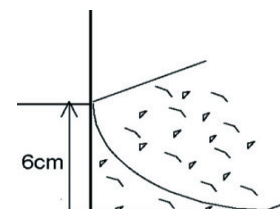


Fig. 4

## **7. Montering af lineren**

Poolens liner er den vigtigste og mest ømfindtlige del af poolen. Når linerens emballage åbnes, er det derfor vigtigt **aldrig** at benytte en kniv eller andre skarpe genstande til dette. Lineren bør opbevares for sig selv ved opsætning af poolen for at undgå eventuelle utilsigtede skader på lineren fra værktøj eller metalkanter.

Til monteringen skal man være flere personer. Lineren må meget gerne ligge og blive opvarmet af solens stråler, inden den foldes ud – det gør materialet mere fleksibelt og lettere at arbejde med. Udetemperaturen skal ligge mellem 20-25 grader, når lineren håndteres. Montér aldrig en meget kold liner eller en liner hvis temperatur er over 25 grader, da afvigende temperaturer let kan medføre ændringer i det fleksible lineremateriale. Dette kan påvirke opsætningens resultat.

Undersøg at der ikke er huller i lineren. Spred derefter lineren ud, så godt som muligt, fra midten af poolen og hele vejen rundt langs poolvæggen.

**NB: Undlad at bruge sko, når lineren fra midten fordeles ud mod poolvæggen!**

Den øverste del af linerens sider holdes midlertidigt fast ud over poolvæggens kant med tøjklammer.



Tjek at linerens svejsning mellem bund og sider ligger ensartet rundt langs den faste grusvold.

Tjek igen din pools diameter og **fyld nu maksimalt et par cm. vand i bunden** af poolen. Endelig ikke mere end dette! Justér/træk i lineren hele vejen rundt i poolen, således at rynker udglattes mest muligt på bund og sider. Dette gøres bedst ved at stå i midten af poolen og udglatte lineren ud mod poolsiderne. **Bemærk**, at dette ikke længere kan rettes, når der efterfølgende tilføres mere vand i poolen!

Når folderne i poolbunden er minimeret, udglattes folderne derefter op langs siderne. Vær opmærksom på, at lineren ikke trækkes for hårdt op over poolkanten inden poolen er fyldt. Det er endnu muligt at lave en let opstramning af lineren ved en vandstand på ca. 30 cm., så vent endnu med at fastmontere topskinnerne over poolkanten.

Der kan nu fyldes mere vand i poolen. Undervejs skal der holdes øje med, at poolen ikke mister sin runde form. Tag tøjklammerne af, og montér i stedet topskinnerne på poolkanten. Topskinnerne samles lige som bundskinnerne, og de skal sidde helt tæt hele vejen rundt. Vandlinjen skal ikke være højere end ca. 15 cm. fra kanten. Evt. overskydende bunddækken kan nu fjernes/klippes til.

## VI. Montage af poolens skimmerfilter

**Vigtigt:** Denne manual indeholder vigtige sikkerhedsinformationer om skimmerfilterets montering og brug. Manualen skal derfor gennemlæses grundigt af den person, der monterer filteret, og af de som i det daglige håndterer pool og filter. Behold derfor denne manual, så den er tilgængelig, hvis der på et senere tidspunkt skulle være spørgsmål til filterets funktion og drift.

### Stykliste:

I kartonen med skimmerfilteret befinder sig følgende komponenter:

- Bøjle med vægmonteringen
- Flydende overflade skimmer
- Fliterpatron
- Motor og transformator



### Generel beskrivelse

Dette skimmerfilter er beregnet til brug i swimmingpools med ferskvand. Der er tale om et elektroapparat i sikkerhedsklasse IPX8 (modstandsdygtig mod indtrængning af støv, faste partikler og fugt).

### Tilslutning af filteret

Transformatoren skal forbindes til en standard 230V 50Hz strømkilde, der er forbundet med et hpfj-fejlstrømsanlæg  $\leq$ mA.

### Installation

Installationen af dette filter system er ikke svært, og en voksen person kan gøre dette på ca. 30 min. Henvvisningerne i denne manual skal omhyggeligt følges. Skimmerfilteret skal i poolen gerne placeres mod vindretningen, så evt. smuds på vandoverfladen lettere bringes mod filteret.

### Anbringelse af holderen

Holderarmen skubbes ind i filterholderens bøjler.

Skimmerfilteret + filterholderen monteres på poolkanten.

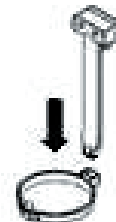
Møtrikkerne indsættes i hullerne på den bøjle, der sidder på ydersiden af poolkanten.

De to skruer isættes fra poolsiden og skrues fast.

Filtersystemet er nu klar til brug.

### Tilpasning og fastspænding

Løsn op for holderen og sæt skimmerfilteret så langt ned, at flyderen ligger i niveau med vandspejlet. Bemærk, at flyderen bør befinde sig ca. halvvejs på holderarmen. Spænd igen holderen fast.



## Sådan fungerer filteret

Filteret benytter en 12V overfladepumpe med lavspænding til at cirkulere vandet gennem en filterpatron. Der skal hele tiden være vand i pumpen, når den kører. Pumpen har en overbelastningskontakt for at undgå skader ved overopvarmning. Denne kontakt slår automatisk til igen, når motoren køler af. Filterpatronen filtrerer vandet for snavs, alger, olier mv. Filteret skal renses ved at skylle det under vandhanen.

## Start af pumpen

1. Poolen skal være fyldt med vand op til over filterkanten. Derved flyder vandet ind i filteret og er klar til brug. Forsøg **ALDRIG** at starte pumpen med mindre, der er nok vand i poolen!
2. Filteret vil fange hår, insekter, blade og andre større urenheder i vandet. Hold altid filteret rent for snavs for ikke at overbelaste pumpen.
3. Sæt pumpen til en stikkontakt.

## Filteret i drift

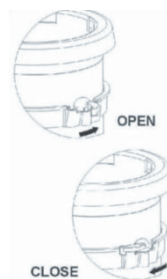
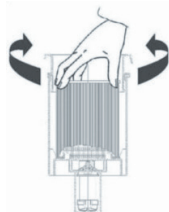
Filteret kører nu i normal filturrutine. Bliv ved med at filtrere poolens vand, indtil det er klart og rent.

Filteret skal køre minimum 2 x 4 timer dagligt således at vandet bliver filtreret to gange per døgn. Mellem hvert interval, skal pumpen helst hvile nogle timer. Tilslut eventuelt en timer. Ved perioder med varmt vejr og høj badeaktivitet skal filtreringstiden forøges, ligesom vandets behov for vandplejemidler også forøges.

Når filteret er rent, har pumpen en maksimal effekt. Er filteret derimod fyldt med opsamlet snavs, vil vandet ikke kunne cirkulere ordentligt. Husk at undersøge filteret så snart gennemstrømningen falder, eller hver gang pumpen har kørt i 5 timer – afhængigt af, hvad der kommer først. Ser filteret beskidt ud – så skal det altid renses!

## Rensning af filteret

1. Sluk for strømkilden
2. Tag filteret op
3. Skyl filteret med en haveslange eller under vandhanen. Filteret kan også vaskes i opvaskemaskinen. Skyl både inderside og yderside. Yderligere rensning kan gøres ved at skylle filteret i varmt opvaskevand. Er der små kalkbelægninger i filterets lameller, renses det ikke længere effektivt, og skal derfor erstattes af et nyt filter. Er filteret fyldt med alger og skidt, så benyt en ekstra kraftig vandstråle til rensningen. Lad **aldrig** filteret tørre ud, da det både vanskeliggør rengøringen og ødelægger filteret. Hav altid et reservefilter klar til brug.
4. Sæt filteret tilbage i skimmeren. Skru det forsigtigt fast og luk filteret.
5. Tænd for strømkilden og fortsæt filtreringen



**DU SKAL HOLDE FILTERET RENT KONTINUERLIGT FOR AT BEHOLDE DEN KORREKTE VANDGENNEMSTRØMNING I POOLEN!**

Benyt kun det filter, der passer til denne pool, køb det hos din lokale poolforhandler.

**Filteret skal være dækket af vand hele tiden, ellers risikeres skader på pumpen.**



Tilsæt aldrig kemikalier direkte ned i skimmeren. Disse opløses i stedet i en spand med vand, inden fordeling langs poolkanten. Alternativt benyttes en børnesikret flydende klordispenser.

Se mere om vandpleje og pooltilbehør hos din lokale poolforhandler, eller klik ind på [www.swim-fun.com](http://www.swim-fun.com)

### Tekniske data

- Filtering speed 2,98 m<sup>3</sup>/h
- Flow rate 2 m<sup>3</sup>/h
- Motor 72W
- Volt 12V
- Transformer 230/12V
- IP class I IPX8

### Elektriske komponenter

Filtersystemet er af lavspændingstypen, og det er sikret mod indtrængning af vand. Såfremt ledningen eller andre komponenter bliver beskadiget, skal hele filterpumpen udskiftes for at systemet er sikkert at benytte.

### Afmontering af skimmerfilteret

Er der opstået en skade på filtersystemet, er fremgangsmåden som følger:

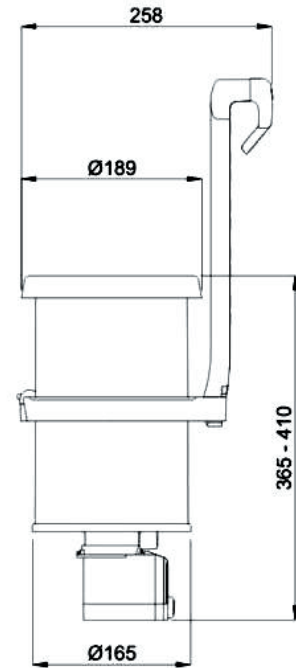
- Afbryd filtersystemet fra strømkilden
- Afmonter filtersystemet fra poolen
- Afmonter filterpumpen fra systemet

### Vinteropbevaring

Filtersystemet skal afmonteres og opbevares frostfrit om vinteren. Ligeledes skal filtersystemet afmonteres, når det over en længere periode ikke skal benyttes. I forbindelse med afmonteringen renses filteret, inden det tørrer ud. Efter overvintringen placeres systemet igen på poolen, som beskrevet ved den første ibrugtagning.

### Sikkerhedsbestemmelser

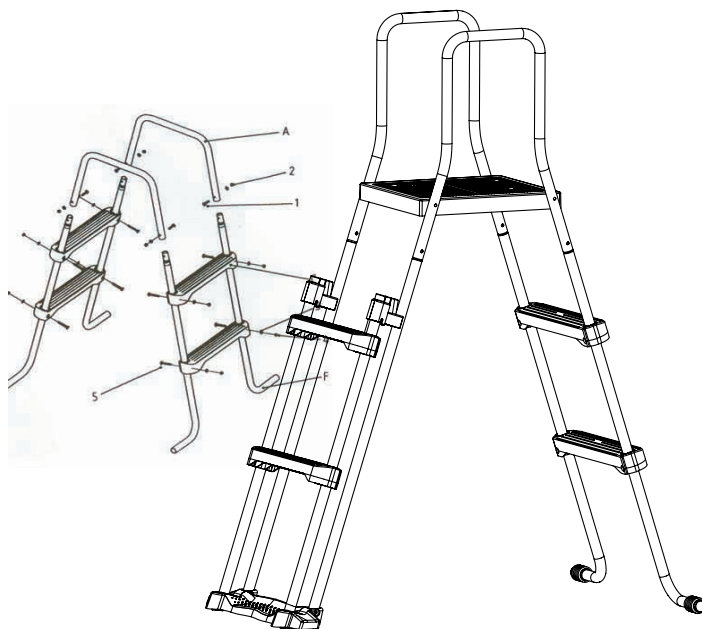
- Der skal være en minimumsafstand på 3,5 meter mellem transformer og pool
- Elektriske installationer skal udføres af en autoriseret elektriker
- Filtersystemet skal være slukket, når poolen benyttes
- Filtersystemet må ALDRIG køre uden vand
- Rør ikke ved systemet med våde hænder, mens det kører
- Skal filteret håndteres, så skal der altid afbrydes til strømkilden forinden
- Skal filteret håndteres, skal det altid foregå på et tørt underlag
- Opbevar aldrig filteret et fugtigt sted, da det kan medføre et elektrisk stød
- Børn og voksne må aldrig sidde på/støtte sig op ad filteret
- Hvis ledningen bliver beskadiget, skal hele anlægget udskiftes
- Eventuelle spørgsmål rettes til poolforhandleren eller til [info@swim-fun.com](mailto:info@swim-fun.com)



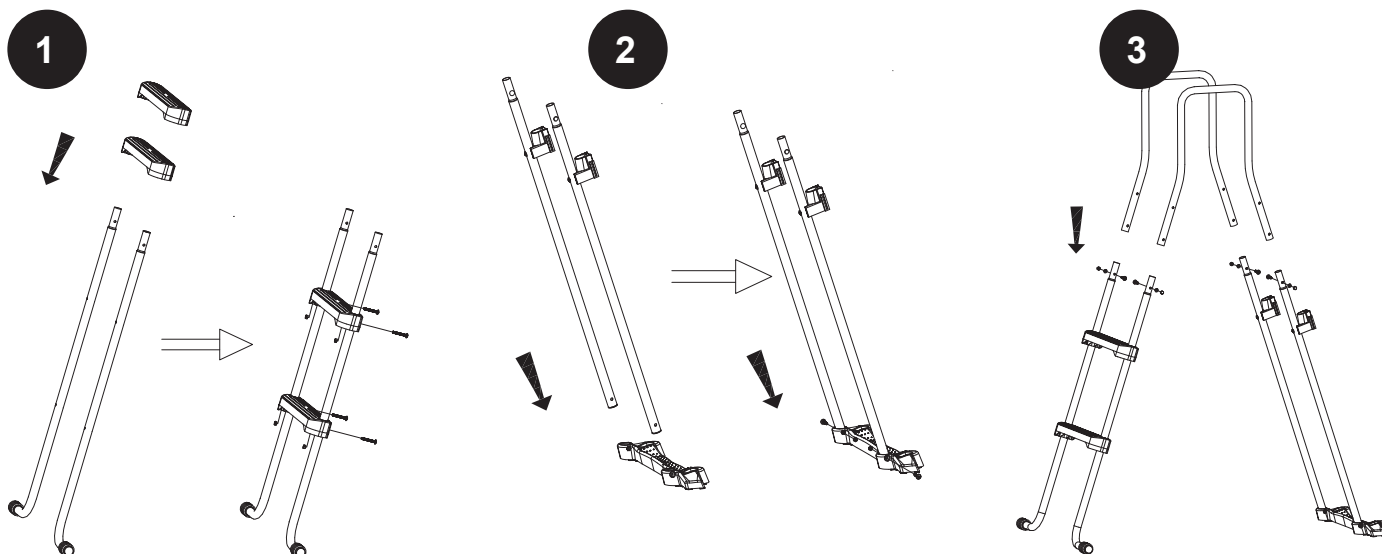
## VII. Stige

Der medfølger en stige til denne pool.

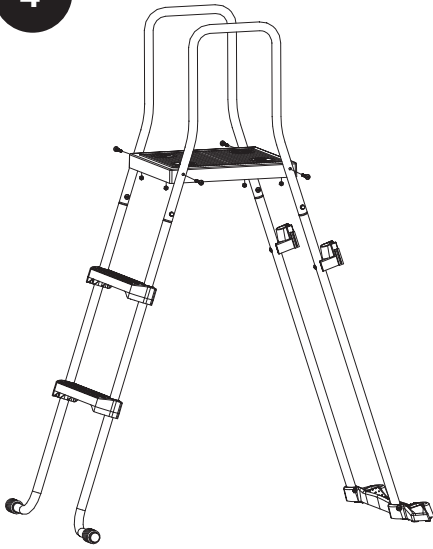
Max. belastning på stigen er 85 kg.



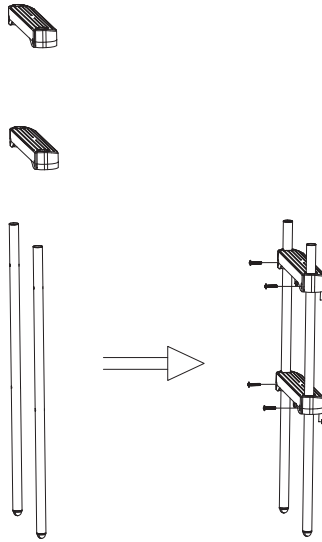
NO.	NAME	MATERIAL	QTY
1	M6X30 bolt	SUS304	4
2	M6 washer	SUS304	4
3	M6 cap nut	SUS304	4
4	step	PP	4
5	M6 lock nut	SUS304	10
6	M6X40 Bolt	SUS304	2
7	bracket	COATED STEEL	2
8	studdle	COATED STEEL	2
9	foot bar	COATED STEEL	4
10	lock	PP	2
11	M6 nut	SUS304	4
12	handrail	COATED STEEL	2
13	sitting platform	PP	1
14	M6X45	SUS304	12



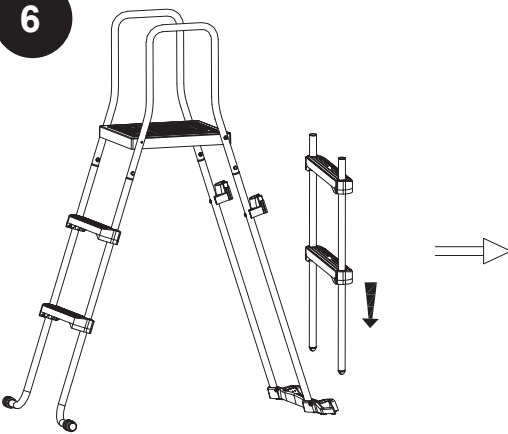
4



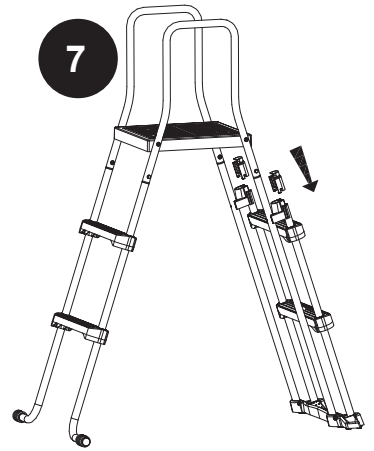
5



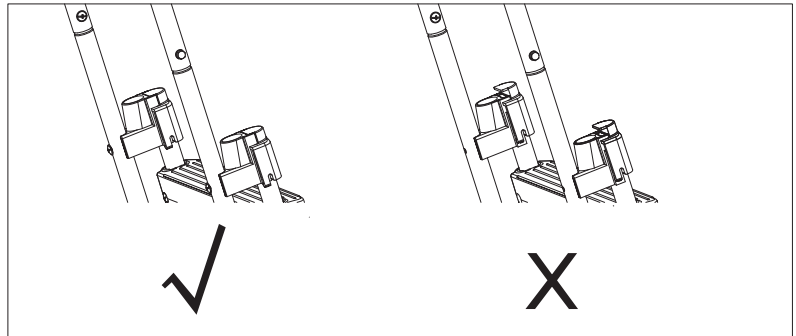
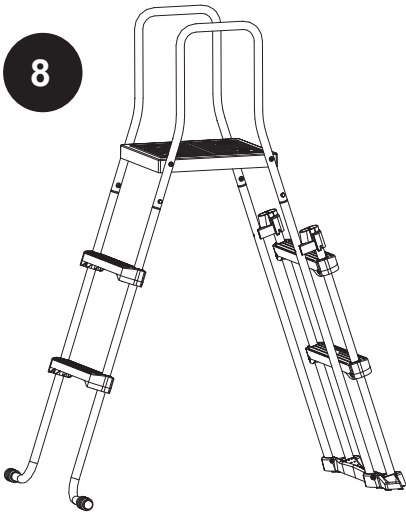
6



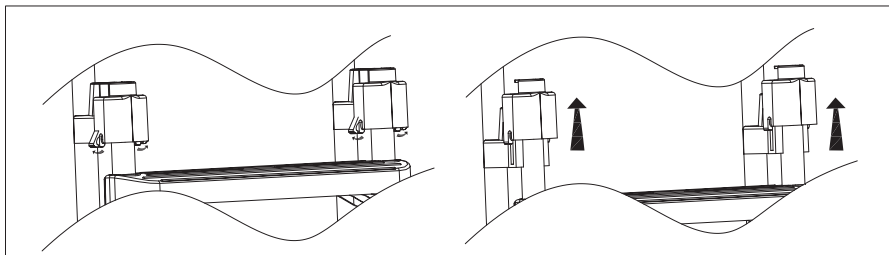
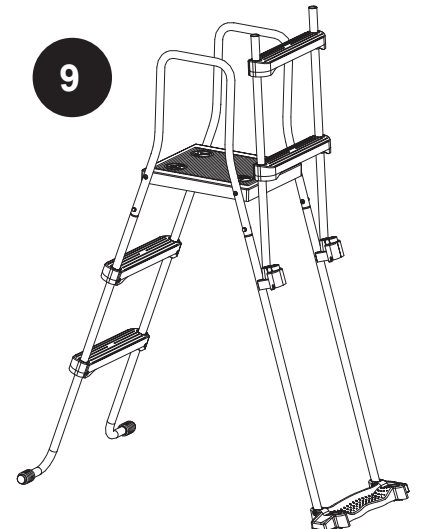
7



8



9



Se  
listen med  
nødvendigt  
tilbehør på  
side 3

## VIII. Opgradering til eksternt sandfilter

*(ekstra tilbehør – ej inkluderet med poolen)*

### Returdyse og fastmonteret skimmer

Kreta havepool er forberedt således, at den let efterfølgende kan opgraderes til brug med et eksternt sandfiltersystem. Et sandfiltersystem med renseseffekt på minimum 4 m<sup>3</sup>/t i drift vil give renere og mere klart vand, minimere kemikaliebehovet samt muliggøre både brug af solfangere og effektiv støvsugning af poolbunden.

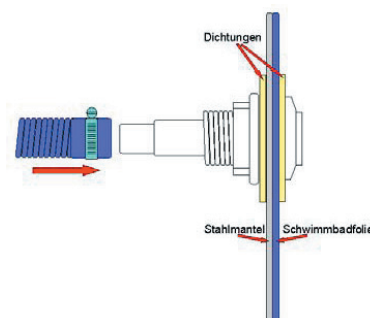
Sav/klip forsigtigt den runde udstansning (returløb) væk fra poolvæggen og den firkantede udstansning til skimmeren. Dette kan ikke gøres med en liner på indersiden af poolen, så denne må først forsigtigt løsnes fra topskinnen i området – alternativt skiftes den ud med en ny liner. Ved nyopsætning laves hullerne i poolvæggen, inden lineren bliver monteret i poolen.

### Returløbet

Fyld poolen med vand indtil 5 cm. under den runde udstansning til returløbet.

Skær derpå et kryds i lineren med en skarp hobbykniv – uden at skære længere ud end hullets udstansning.

Montér nu returløbsdysen med 1 stk. pakning fra poolsiden og ud. De opståede trekanten af overskudsliner skal afskæres rent og præcist udvendigt langs dysen. Montér på så den anden pakning fra poolens yderside og skru den store omløber fast uden på pakningen. Brug teflon tape i gevindet. Returdysen skal sidde godt fast, men omløberen må ikke overspændes (spænd forsigtigt).



Såfremt returdysen er leveret med en løs studs til montering af filterslangen, så skal der også her benyttes teflon tape i gevindet, når delene samles.

Når returdysen er korrekt monteret, kan skimmeren monteres.

### Skimmeren

Bemærk, at skimmeren kan være leveret med enten to stk. enkeltpakninger eller ét stk. sandwichpakning.

### Montage med to skimmerpakninger

Tag skimmersættets firkantede inderramme (hård plast) og én af pakningerne.

Sæt en skrue i hvert af de øverste huller.

Placér skimmerrammen på poolens inderside og pres skrueerne indefra og ud gennem de to udstansede respektive huller i poolvæggen, som passer til. Dermed penetreres også lineren. Vær forinden sikker på, at skimmerramme og pakning vender rigtigt, så alle huller flugter med hinanden. På den anden side af poolvæggen monteres den anden pakning, og derefter skal skruen fæstnes ind i skimmerhusets respektive skruehuller.

På samme måde monteres de øvrige skrue indefra poolsiden og ud gennem pakningerne og ind i skimmerhuset. Alle skruehuller flugter således gennem poolvæggen ved korrekt montering.

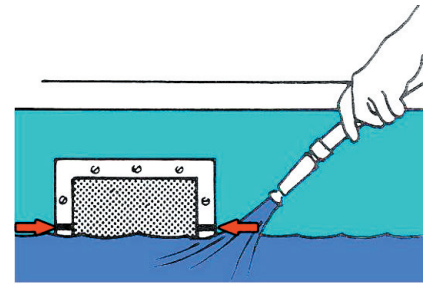
Hold øje med at skimmerpakningerne sidder ensartet monteret langs udsikringen på på begge sider.

Spænd skrueerne parvist diagonalt og jævnt fast for at sikre tætheden. Der må kun benyttes en manuel skruetrækker, og pas på ikke at overskrue gevindet (brug ikke en elektrisk maskine!!).

Med en skarp kniv fjernes lineren langs kanten inde i skimmeråbningen. Derefter efterspændes skrueerne igen forsigtig.

### **Montering med sandwichpakning**

Fyld poolen op til ca. 5 cm under skimmerudskæringen. Skær forsigtig et tilsvarende hul i lineren ud fra udskæringen i poolvæggen. Montér pakningen i væggen skimmerudskæring så den sidder rundt om såvel liner og poolvæg. Hold øje med, at den flugter korrekt med skruehullerne på alle fire sider. Fastgør nu indefra med skrue skimmerens inderramme med selve skimmerhuset.



## **IX. Information vedrørende nedgravning af swimmingpool**

Vore stål vægspools er som udgangspunkt udviklet til at blive benyttet som fritstående pools i haven. Det bemærkes derfor at produktgarantien ikke omfatter skader der er forårsaget af ukorrekt opstilling eller såfremt poolen benyttes nedgravet i jorden. Ønsker du at få din pool nedgravet så anbefales det at tage kontakt til en fagmand og lade denne udføre opgaven.

Såfremt du selv ønsker at nedgrave poolen så skal følgende vigtige forhåndsregler følges:

### **Placering:**

Undersøg hos kommunalforvaltningen om der eventuelt kræves en tilladelse for at placere en pool på det ønskede sted. Det anbefales at du altid også retter henvendelse til dit forsikrings selskab inden du bygger og nedgraver din swimmingpool. Det er dig som swimmingpool ejer der er forpligtiget til at oplyse din forsikring at du har pool på din grund.

### **Forberedelse:**

Marker det område hvor poolen skal stå.

For runde pools så skal der markeres en diameter der er 1 meter større end selve poolen. For ovale pools så skal der markeres et areal der er 1 meter længere end poolens længde og 2 meter bredere end poolens bredde.

### **Underlag:**

Underlaget hvor poolen skal stå skal ubetinget være fuldstændigt jævnt og 100% hårdt og fast. Installér aldrig en pool på et blød eller eftergivende underlag der kan få poolen til sætte sig efterfølgende under vægten fra vandet. Husk at 1000L => 1m<sup>3</sup> => 1000 kg! Der må ikke i underlaget være huller, sten, planter eller rødder der kunne perforere lineren.

Vi anbefaler at der støbes et 15 cm underlag i netforstærket beton. Dette underlag skal være helt jævnt og 100% i vater.

For at beskytte lineren så skal der altid placeres et bunddækken oven på underlaget. Der kan også lægges et ekstra lag af 50 mm isolerende hårde styrolit plader i bunden.

Vælg en solrig placering til poolen der samtidig er tæt på vand, afløb og strøm.

Placér ikke poolen oven på elektriske kabler, gaskabler eller på områder med højt grundvand.

Placér ikke poolen under strømførende luftkabler.



Vælg en placering der giver læ og hvor der ikke er træer i umiddelbar nærhed, da blade ellers kontinuerligt vil lande i poolen. Placer poolens skimmer så den normale vindretning blæser i retning mod poolens skimmer.

Husk at poolens filter og pumpe altid skal installeres så det står i samme niveau som poolbunden.

### Udgravning :

Husk at medtage placering af skimmer, returløb og stige i overvejelserne. Udgravningen bør være 15 cm dybere end poolens højde. Såfremt poolen er 120 cm i højden så skal dybden dermed være 135 cm.

### Installation – Alternativ 1: Bygges med pooldæk i træ

Når underlaget er færdigt så opstilles poolen på samme måde som hvis den stod frit på marken. Det anbefales altid at lade en pool stå helt frit i et nedgravede hul uden kontakt med andre konstruktioner. Derfor skal jorden udjævnes væk fra bundpladen og skråt udad så der ikke kommer jord og grus ned mod pool væggen, heller ikke ved kraftig regn etc. Poolen kommer dermed til at stå i et "tragtformet" hul med vandret bundplade. Man kan vælge at sikre de skrå jordvægge på forskellig måde. For eksempel med opmuring eller andet, det skiller ingen større rolle, blot skal det sikres at poolen altid står frit i hullet. Spørg evt. en byggesagkyndig om hvordan dette gøres bedst specifikt ved din byggeplads.

Det anbefales at færdiggøre denne "nedgravning" ved at bygge et pooldæk i træ frem mod poolen. Dette pooldæk støttes nærmest poolen med stolper der placeres i en ring ca 20-30 cm fra poolkanten. På denne måde får man en "nedgravet" pool i markplan samt et omkransende pooldæk, hvor det er behageligt at færdes og sole sig.

### Alternativ 2: Bygges uden pooldæk i træ

Alternativ vælger mange at nedgrave poolen på mere traditionel vis. Poolen skal i så fald opstilles som førnævnt på bundpladen og pool og filtersystemet forbindes med armeret flexslange eller alternativt med hårde rør. Filter og pumpe stilles i en nedgravet separat skakt der skal have nok plads til at den løbende håndtering efterfølgende er problemfri. Husk at tage placeringen af skimmer, returløb og stige med i overvejelserne.

### Installation:

Følg instruktionen i den medfølgende manual således at poolen opstilles på samme måde som hvis den stod frit på jorden. Poolen forbindes til filtersystemet med hårde pvc rør eller med armeret poolslange.

Fyld poolen med vand. Når din pool skal fyldes med vand skal du altid gøre det med en vandslange, så dugen i din pool for tid til at strækkes sig rigtig ud. OBS du må aldrig fylde din pool fra en brandbil, da påfyldningen går for stærkt og kan skade din pool.

Beklæd nu poolen med flere lag 20 mm isoleringsmateriale (frigolit) hele vejen rundt om poolevæggen. Isoleringen fastgøres med tape. Beklædningen skal fuldstændigt isolere poolvæggen fra enhver direkte kontakt med sand, beton eller andet materiale.

Mellemrummet mellem jordkanten og poolvæggen skal udfyldes med tørbeton, der består af en blanding af 1/5 cement og 4/5 fint grus. Husk at poolen forinden skal altid være fyldt med vand. Dette arbejde skal gøres i etaper så der fyldes ca. 30 cm af gangen hele vejen rundt op om poolen hver gang. Undlad at stampe materialet unødigt sammen da det kan trykke poolvæggen ind og medføre buler.

Bemærk at hvis man vælger at nedgrave ovale pools på denne måde så er det altid ubetinget nødvendigt at etablere en stødmur på hver langside af poolen for at tage trykket det udefra kommende tryk fra marken.

### Vedligehold af pool:

Du skal løbende kontrollere at din pool er i perfekt tilstand. Lineren skal være ren, poolslangerne skal være korrekt forbundet, stigen skal være korrekt opstillet og filtersystemet skal køre optimalt.

Hust at kontrollere at vandets pH- og klor værdi er korrekt justeret så vandet holdes frisk og desinficeret

## X. Vinterklargøring

Når sommeren slutter eller badesæsonen er ovre, skal du følge disse instruktioner for at gøre poolen klar til vinteren.

### **Vigtigt:**

Hvis du ikke følger rådene om vinterklargøring, kan garantien bortfalde, og din pool kan i værste fald tage skade.

### **1. Sænk vandstanden i din pool.**

Sænk niveauet på vandet i poolen, til der er ca. 15 cm vand under returløbet. Montér alternativt en vinterprop (varenr. 1519) i returløbsdysen, så kan vandstanden hæves til 15 cm under skimmeren i stedet. Fjern alle slanger som er tilkøbet skimmeren og pumpen. Sørg for at alt vandet er kommet ud af skimmerhuset, og at der er fri passage for evt. vand at løbe ud.

### **2. Kontroller alle samlinger og skruer.**

Sørg for at alle rammesamlinger sidder rigtigt. Kontroller at poolvæggen ikke har forskubbet sig fra bundskinnen. Sørg for at alle skruer og bolte er ordenligt skruet til.

### **3. Kontroller at der ikke er rust.**

Mal alle rustne områder med antirust maling.

### **4. Kontroller poolens dug.**

Sørg for at toppen af dugen er godt fastgjort til poolvæggen med plastlisten. Du må ikke fjerne dugen fra poolen. Fjernelse af dugen vil medføre, at garantien bortfalder. Fjern ikke alt vandet fra poolen.

### **5. Kontroller for huller.**

Kontroller at der ikke er huller i dugen. Reparer eventuelle huller med et lappesæt til pools. Små huller om vinteren kan forårsage store skader på poolen.

### **6. Pool tilbehør.**

Fjern alt tilbehør fra poolen, også stigen. Lad skimmeren være påmonteret. Vær sikker på at skimmeren er lukket foroven og at åbningen i bunden er åben, så evt. vand kan rende ud.

### **7. Rengøring**

Der tilsættes et overvintringsmiddel til poolvandet efter fysisk rengøring, pH justering og klorchok. Det modvirker belægninger fra alger og kalk i at fæstne sig i poolen.

### **8. Filteret.**

Fjern poolslangerne fra filteret. Tøm sandfilteret helt for vand og sand og stil det frostfrit for vinteren.

### **9. Minimér potentielle skader p.g.a. kraftig isdannelse.**

Pool beskyttere (varenr. 1613) placeres på tværs i poolens. De flyder af sig selv i vandoverfladen. De absorberer et evt. ekstra tryk fra isdannelse og reducerer herved mulighed for frostskaade på poolen liner.

## 10. Tildæk poolen med et vinter-cover

For at undgå for meget snavs og for gode vækstbetingelser for alger og bakterier, skal poolen overdækkes med et mørkt vinter-cover. Coveret spændes fast med den medfølgende låsewire.

Uddybende information om filtrering, vandpleje, overvintring og tilbehør mm. kan fås hos din poolforhandler, eller alternativt på [www.swim-fun.com](http://www.swim-fun.com)

## XI. Garanti

Der ydes 12 måneders garanti (+ 12 måneder reklamationsret). Garantiperioden gælder fra købsdatoen på din købskvittering. Kvitteringen skal fremvises ved service henvendelser i garantiperioden. Det er derfor vigtigt, at du gemmer din købskvittering.

Garantien dækker ikke almindelig slitage, ridser, slid eller kosmetiske skader. Mere specifikt dækker garanti- en ikke skader som følge af:

- Forkert brug eller håndtering
- Fald eller stød
- Reparationer, ændringer eller etc. udført af andre end Swim & Fun servicecenter.

Ved reklamation skal du kontakte din forhandler. Ved indlevering af en defekt vare skal produktet være emballeret, så det er beskyttet mod transportskade. Det er dit ansvar, at produktet kommer sikkert frem. Du bedes oplyse navn, adresse, telefonnummer og e-mail-adresse - hvis produktet skal returneres til dig! Husk altid at oplyse hvad der er galt med dit produkt.

For flere brugeroplysninger og tips, se vores hjemmeside: [www.swim-fun.com](http://www.swim-fun.com)

*Denne manual er beskyttet af ophavsretsloven.*

### Swim & Fun Scandinavia – hotline:

Danmark	+45 7022 6856
Sverige	+46 771 188819

## XII. Tilbehør

### Anbefalet grundudrustning til poolen:



#### Bunddækken

Bør aldrig glemmes! Inden poolen stilles op så bør man benytte et bunddækken der beskytter poolens linerduk mod mekanisk slid samt mod penetrering nedefra af små sten eller af rødder. Bunddækkenet gør desuden poolens bund mere behagelig at gå på.

Artikel: 1566 Bunddækken Ø3,50M  
Artikel: 1620 Bunddækken Ø4,60M



#### Sommercover

Et sommercover isolerer poolen mod markant varmetab om natten når luften ellers afkøles. Dermed holdes temperaturen i poolen oppe og badesæsonen forlænges. Samtidig beskytter et sommercover imod luftbåren snavs og blade i poolen. Har du endvidere en solvarmer tilkoblet til poolen så er sommercoveret et absolut must. Sommercoveret placeres i vandoverfladen med luftboblerne nedad.

Artikel: 1564 Sommercover Ø3,50M  
Artikel: 4925 Sommercover Ø4,60M



#### Vintercover

Et vintercover skal benyttes om efteråret når poolen ikke længere benyttes. Hermed undgås at løvfald, insekter og snavs i øvrigt havner i poolen. Coveret spændes rundt om poolen med en medfølgende sikkerhedswire med

låsetvinde. Dermed er poolen tillige afskærmet for uønsket adgang - dog uden at være et egentligt sikkerhedscover. Vintercoveret kan også med fordel benyttes når poolen ikke benyttes i længere perioder på andre tider af året.

Artikel 1581 Vintercover Ø3,50M  
Artikel 1607 Vintercover Ø4,60M



#### Teleskopstang

3-delt 1,20 – 3,60M

Artikel: 1515



#### Bundsugerhoved

Til rensning af poolens bund. Kan benyttes tilkoblet til en standard have slang. Anbefales til brug til pools uden sandfilter. Passer til teleskop stang.

Artikel: 1514



#### Overfladeketcher

Benyttes til at holde vandoverfladen ren for blade, etc. Passer til teleskopstang.

Artikel: 1506



#### Bundnet

Benyttes til let rensning af poolbunden for løvfald mv. Passer til teleskopstang.

Artikel: 1507



#### Børste

Ekstra stor blød poolbørste der benyttes til rengøring af lineren

Artikel: 1504



#### Kemikaliedispenser

Benyttes til dosering af poolklor i langsomtopløselige 20G tabletter. Special børnesikret model!

Artikel: 1567



#### Termometer

Viser badevandets temperatur.

Artikel: 1527

**Ønsker du at opgradere din KRETA pool med et ekstra sandfilter, skal du bruge følgende tilbehør:**



#### Skimmer

Skimmeren indbygges i poolvæggen (poolvæggen er forberedt hertil). Skimmeren leveres helt komplet inklusiv returløb til poolen.

Artikel: 1533



### Filterpose til skimmer

Effektive små filterposer der let placeres i poolens skimmer. Herved opfanges fysiske urenheder inden de når filteret. Brug af en skimmerpose reducerer hermed forbruget af både kemikalier og vand da sandfilteret ikke så ofte skal returskylles for opsamlede urenheder.

Artikel 1549 (5 poser/pk.)



### Pool slange

Flexibel poolslange til fritstående pools leveres med diameter 32 mm eller med 38 mm. Begge størrelse kan benyttes såfremt der benyttes SWIM & FUN skimmer og sandfiltersystem.

Artikel 1582 Ø32 mm Poolslange, 6,6 meter (i delbare sektioner af 1,20m)

Artikel 1542 Ø38 mm poolslange, 9,0 meter (i delbare sektioner af 1,50m)



### Sandfiltersystem

F.eks. sandfilter 1044 med en effektiv renseeffekt på 4500 L/T. Et sandfilter renser effektivt vandet og pumpen kan også benyttes til f.eks. støvsugning af pool bunden eller til cirkulation af vandet gennem en pool solvarmer. Sandfilteret er selvrensende og sandet skal derfor ikke skiftes i løbet af badesæsonen.

Artikel 1044



### Filterballs

Benyttes i sandfilteranlæg i stedet for sand. 700g = 25 kg,

Artikel 1069



### Filtersand

Specialsand i kornstørrelse 0,4 – 0,8 mm. Benyttes i sandfilter.

Artikel 1536: Pose af 25 kg.



### Bundsugerhoved

Vægtbelastet bundsugerhoved med sidebørster anbefales ved brug med sandfilter.

Artikel 1513

## Overvintring

Tilbehør der beskytter poolen mod mulige skader forårsaget af frost.



### Skimmer vinter beskytter

Skimmer beskytteren monteres i poolens skimmer om vinteren. Den absorberer et ekstratryk fra evt. isdannelse i skimmeren

Artikel: 1612



### Pool vinter beskytter

Pool beskyttere placeres på tværs i poolen. De flyder af sig selv i vandoverfladen. De absorberer et evt. ekstra tryk fra isdannelse og reducerer herved muligheden for frostskaade på poolen liner.

Artikel: 1613



### Vinterprop til returløb.

Lukkeprop med gevind hvormed du let kan lukke af for returløbet, når slangerne afmonteres.

Artikel: 1519



### Lukkeventil til skimmer

Der bruges 2 stk. – en til skimmeren og en til montering ved returdyse.

Artikel: 1555



## Vandpleje

Disse basale vandplejemidler får du brug for til din havepool



### pH Minus

Til justering af vandet, hvis pH balancen er over ideelniveau 7,0-7,4.

Artikel: 1714 -1,5 kg.

---



### pH Plus

Til justering af vandet, hvis pH balancen er under ideelniveau 7,0-7,4.

Artikel: 1712 -1,5 kg.

---



### Klor Starter

Hurtig og effektiv grunddesinfektion af vandet, når poolen fyldes op. Benyttes også løbende i badesæsonen til chokbehandlinger af vandet.

Artikel: 1701 -1 kg.

---



### Klor Weektab

Langsomt opløselige 20 gr. klortabletter, der vedligeholder vandets renhed i løbet af sommeren.

Artikel: 1737 -1 kg.

---



### Combi tabs

Combitabs 20gr klorfri 3 i 1 tabs. Det klorfrie alternativ.

Artikel: 1758

---



### Pool Test Strips

Teststrips til nem måling af vandets pH/ klorværdi.

Artikel: 1737 – 50 stk.

---



### Klar Pool

Forebygger at der dannes glatte belægninger på poolens inderside, samt misfarvet vand.

Artikel: 1716 -1 l.

---



### Easy Pool

Easy Pool kan benyttes som et nemt og effektivt alternativ til Langsom Klor og Klar Pool.

Engangsprodukt – holder 1-2 måneder i brug.

Artikel: 1775 – mini

Artikel: 1776 - maxi

---



## NO Indholdsfortegnelse:

Viktig informasjon – deleliste .....	40
I. De nødvendige verktøy .....	41
II. Finn riktig sted til bassenget .....	41
III. Kontroller bassengets komponenter .....	42
IV. Klargjøring av underlaget .....	42
V. Montering av bassenget .....	43
VI. Montering av skimmer filter .....	45
VII. Sikkerhetsstige .....	48
VIII. Returdyse og skimmer (ekstra utstyr)/ Oppgradere til bruk med et eksternt sandfiltersystem .....	50
IX. Nedgraving av bassenget .....	51
X. Vinterklargjøring .....	53
XI. Garanti .....	54
XII. Tilbehør .....	55

**Bassenget må  
IKKE monteres i  
vindfullt vær!**

### Viktig

Les hele bruksanvisningen og alle sikkerhetsopplysningene før du monterer bassenget!

Kontroller dessuten at esken inneholder alle de nødvendige delene. Bruk sjekklisten!

## Deleliste

- Bunn- og toppprofiler (like) 2 x 14 stk. (Ø4,60 = 2x 17 stk). Skal sages til – se manual.
- Små samlerør til bunn- og toppprofiler, 56 stk. (Ø4,60 = 68 stk)
- Remse for tildekking av skjøten på innsiden av bassengveggen, 1 stk.
- Bassengduk, 0,30 mm, 1 stk.
- Skruer M6x11 mm, rustfritt stål, 20 stk.
- M6-mutter, rustfritt stål, 20 stk.
- M6-skive, rustfritt stål, 20 stk.
- Plasthetter til muttere, 20 stk.
- Bassengvegg, 0,30 mm stål, 1 stk.
- Deler til sikkerhetsstige, se side 48.

### Merk:

IKKE monter bassenget på dager eller steder med mye vind! KRETA familiebasseng er beregnet til bruk som frittstående basseng. Hvis nedsenkning i jorden alligevel ønskes, kan råd og vejledning finnes på [www.swim-fun.com](http://www.swim-fun.com). Garantien bortfaller ved hel- eller delvis nedgraving.

## Sikkerhetsinformasjon

- La ikke noen bruke bassenget med mindre det er en voksen person til stede.
- Det er ikke tillatt å stupe eller hoppe i vannet fra bassengkanten. Det er ikke tillatt å sitte eller klatre på bassengveggen. Kantlisten øverst på bassengveggen er ikke konstruert for slik belastning.
- Følg ALLTID monteringsanvisningene og sikkerhetsinstruksjonene.
- Påse at både bassenget og filteret er montert i henhold til bruksanvisningen.
- Tillat ikke vill lek i eller i nærheten av bassenget.
- Det er ikke tillatt å endre bassengets konstruksjon eller fjerne tilhørende deler. Følg alltid instruksjonene i bruksanvisningen.
- Stigen skal plasseres på et solid fundament og alltid stå beint. Stigen tåler vekten av én person om gangen – maks. 85 kg.
- Vend alltid ansiktet mot stigen når du går oppi/ut av bassenget.
- Bruk aldri stigen til annet enn å gå oppi og ut av bassenget. Fjern stigen når bassenget ikke er i bruk.
- Kontroller regelmessig at alle deler av bassenget og stigen er intakte og i brukmessig stand. Skift ut slitte deler ved behov. Sørg dessuten for å ettertrekke skruer, muttere og bolter.

**Unngå drukningsulykker! Hold alltid barn under oppsyn.**

**Bassengets kanter er ikke konstruert for å stupes eller hoppes fra!**

## I. Nødvendig verktøy

Kontroller at du har alt nødvendig verktøy og materiell som kreves for montering av bassenget innen rekkevidde: en spade, en hakke, en rive, en lekte som er lenger enn bassengets radius, bunndekke til bassenget samt fin grus.

Du kan også få bruk for snor, bred teip, fastnøkler str. 8 + 10, klesklyper, en hobbykniv, en tang, et vaterpass, skrutrekkere med flatt hode og for krysspør, to merkepinner samt fargespray – alternativt sand eller kalkpulver til oppmerking.

Vi anbefaler at du setter sammen den medfølgende stigen før du forbereder monteringen av bassenget. Begynn med å montere stiges trinn og samle de to stigesidene til slutt – se side 29.

## II. Finn riktig sted til bassenget

Hvor du velger å montere bassenget har meget stor betydning for hvor fornøyd du vil bli med bassenget. Det er 100 % avgjørende å velge et fast og jevnt underlag å plassere bassenget på. Bassenget må stå HELT jevnt!

Unngå et sted nær trær, så slipper du problemer med at det faller blader ned i bassenget.

Pass på at det er tilgang til strøm og vann på det valgte stedet.

Av hensyn til barnas sikkerhet anbefales det å ikke plassere bassenget under steder der barn har tilgang.

### III. Kontroller bassengets deler

Vi anbefaler at du kontrollerer at du har alle de nødvendige delene før bassenget monteres. Se delelisten lengst fremme i bruksanvisningen.

### IV. Klargjøring av underlaget

Sett en markeringspinne midt på stedet som er valgt til bassenget. Bind fast en snor i pinnen. Snorens lengde skal være lik bassengets radius + anbefalt 25 cm (totalt 2,0 m). På denne måten kan bassengets omkrets vises på bakken ved at en person beveger seg hele veien rundt markeringspinnen i midten. Bruk f.eks. fargespray eller sand til å merke omkretsen på bakken.

#### Viktig

**Bassengets underlag skal vært fast og 100 % i vater!!!**

#### Advarsel!

Unngå å fylle på underlaget med ekstra jord. Det vil gi et bløtt og for ustabil underlag når bassenget fylles med vann og dermed presser ned mot underlaget med en vekt på 8 tonn!



Grav i stedet alltid ut underlaget slik at det blir helt fast og i vater. Fjern den bløte gresstorven hvis bassenget skal stå på en gressplen.

Teip et vaterpass fast til en lekte på to meter og bruk redskapet for å sikre at underlaget er jevnt. Kontroller flere ulike steder for å sikre at underlaget er jevnt.

Til slutt rakes underlaget grundig slik at ikke bare gresstorv o.l., men også småstein, greiner, kvister og røtter fjernes fra bassengområdet.

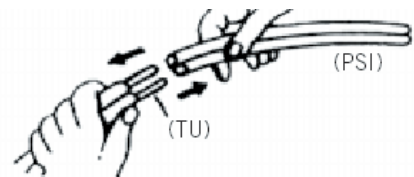
Det anbefales å plassere et bunndekke under bassenget for å redusere den mekaniske slitasjen på bassengduken til et minimum og å forhindre at den blir perforert av stein og røtter nedenfra. Det gjør det dessuten mer behagelig å gå på bassengbunnen. Et bunndekke består som regel av flere deler som plasseres med en overlapping på 2 cm mellom delene. Til slutt fjernes overskytende materiale.

## V. Montering av bassenget

### 1. Sette sammen bunnskinnene

Profilene settes sammen til en rund bunnsramme på bassengområdet (bruk 14 stk. profiler). (fig.1).

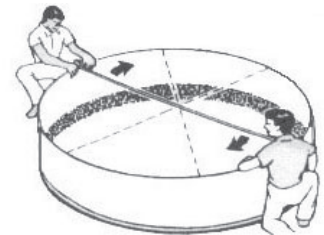
Fig. 1



Kontroller at sirkelen er rund og plassert riktig i forhold til markeringspinnen som er satt ned i underlaget. Dette er meget viktig for

å sikre at bassengduken legger seg som den skal (fig. 2).

Fig. 2



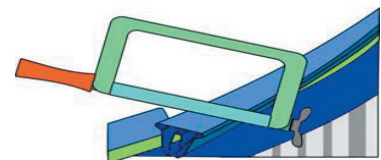
### 2. Montering av bassengveggen

Det kreves minimum to voksne personer til dette, gjerne flere. Bassengveggen kan nemlig være ustødig å jobbe med innimellom. Monter derfor aldri bassenget når det blåser.

Plasser bassengveggen loddrett på f.eks. et stykke papp i sentrum av bunnsrammen. Veggen rulles med vrangen ut og plasseres deretter loddrett i bunnskinnen hele veien rundt.

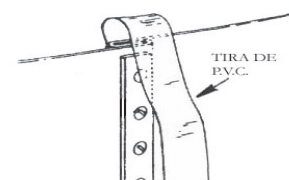
Husk å kontrollere at bassengveggen ikke monteres "på hodet" – det utstansede området på veggen skal vende oppover (ikke illustrert). Disse utstansingene skal ikke brukes til noe når den medfølgende bassengpumpen benyttes. Utstansingene har først og fremst betydning hvis man senere ønsker å "oppgradere" bassenget med et sandfiltersystem og en innebygd veggskimmer i bassengveggen.

**VÆR OPMÆRKSOM** på at lengden på bunn- og toppskinnene til bassengveggen skal tilpasses på stedet. Det skal derfor sages et stykke av bunnskinnen før bassengveggen settes sammen. Vær meget nøye når du gjør dette. Vent med å sage et tilsvarende stykke av toppskinnen til bassenget er ferdig satt sammen.



### 3. Lukking av bassengveggen

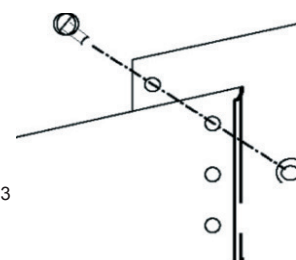
Du SKAL bruke alle skruer og bolter som følger med. Det må ikke stå igjen ubenyttede skruer i bassengveggen. Sett skruene i fra innsiden og trekk dem til med en skive og mutter fra utsiden. Sett plasthetter på mutterne på bassengveggens utside.



### 4. Beskyttelse av duken

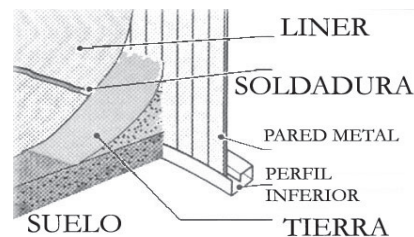
På innsiden av bassenget dekkes skruhodene med dukstykket som følger med. Teip det fast på veggen for å beskytte bassengduken mot slitasje (fig. 3).

Fig. 3



## **5. Kontroller arbeidet som så langt er utført**

Kontroller en ekstra gang at bassengets underlag er helt i vater og at bassengveggen står i en perfekt sirkel. Dette gjøres for å unngå problemer når duken skal monteres. Sistnevnte kan gjøres ved å kryssmåle over bassenget. Eventuelle feil skal rettes med det samme før monteringen fortsetter.



## **6. Grusvoll på innsiden av bassenget (fig. 4)**

En liten grusvoll forhindrer at duken evt. kan presse seg ut under bassengveggen. Det bør derfor være en voll hele veien rundt i overgangen mellom bunn og bassengvegg. Bruk grus uten småstein. Sørg for at grusvullen har en fast og jevn overflate rundt det hele.

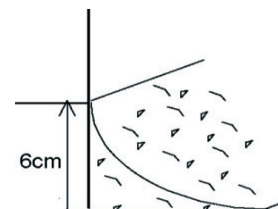


Fig. 4

## **7. Montering av duken**

Bassengduken er den viktigste og mest ømtålige delen av bassenget. Det er derfor viktig å aldri bruke kniv eller andre skarpe gjenstander til å åpne dukens emballasje. Duken bør oppbevares for seg selv ved montering av bassenget for å unngå skader på duken som følge av kontakt med verktøy eller metallkanter.

Monteringen må utføres av flere personer. Duken kan gjerne ligge i solen for å bli oppvarmet før den foldes ut – det gjør materialet mer fleksibelt og enklere å arbeide med. Utetemperaturen skal ligge mellom 20–25 grader ved håndtering av duken. Monter aldri en meget kald duk eller en duk som holder en tempertur på over 25 grader. Temperaturavvik kan nemlig lett føre til endringer i det fleksibel dukmaterialet. Dette kan påvirke resultatet av monteringen.

Kontroller at det ikke er hull i duken. Spre deretter ut duken så godt som mulig fra midten av bassenget og hele veien rundt langs bassengveggen.

### **NB: Unngå å bruke sko når duken fordeles fra midten ut mot bassengveggen!**

Den øverste delen av dukens sider settes midlertidig fast ut over kanten av bassengveggen med klesklyper.



Sjekk at dukens sveising mellom bunn og sider ligger likt rundt langs den faste grusvullen.

Kontroller igjen diameteren på bassenget og fyll nå maks. et par cm vann i bunnen av bassenget. Fyll ikke mer enn dette! Juster/dra i duken rundt hele bassenget for å glatte ut rynker i bunnen og sidene. Dette gjøres enklest ved å stå i midten av bassenget og glatte ut duken mot bassengsidene. Merk: Dette kan ikke lenger rettes på når det nå fylles mer vann i bassenget!

Når foldene i bunnen av bassenget er glattet ut så godt det lar seg gjøre, glattes foldene ut opp langs sidene. Unngå å dra duken for hardt opp over bassengkanten før bassenget er fylt. Det er fremdeles mulig å utføre en lett oppstramming av duken ved en vannstand på ca. 30 cm, så vent litt med å montere fast toppskinnene over bassengkanten.

Nå kan det fylles mer vann i bassenget. Underveis er det viktig å følge med på at bassenget ikke mister sin rundt form. Fjern klesklypene og monter i stedet toppskinnene på bassengkanten. Toppskinnene settes sammen på samme måte som bunnskinnene, og de skal sitte helt tett rundt hele bassenget. Vannlinjen skal ikke være høyere enn ca. 15 cm fra kanten. Evt. overskytende bunndekke kan nå fjernes/skjæres til.

## VI. Montering av bassengets skimmerfilter

**Viktig:** Denne bruksanvisningen inneholder viktig sikkerhetsinformasjon om montering og bruk av skimmerfilteret. Personen som skal montere filteret samt de som til daglig håndterer bassenget og filteret må derfor lese grundig gjennom bruksanvisningen. Ta vare på bruksanvisningen slik at den er tilgjengelig hvis det på et senere tidspunkt skulle være spørsmål om filterets funksjon og drift.

### Deleliste:

Esken med skimmerfilteret inneholder følgende deler:

- Skimmerfilter
- Holder til hagebasseng
- Bøyle til holderen
- Motor og transformator



### Generell beskrivelse

Dette skimmerfilteret er beregnet for bruk i svømmebassenger med ferskvann. Det er et elektrisk apparat i sikkerhetsklasse IPX8 (motstandsdyktig mot inntrengning av støv, faste partikler og fukt).

### Tilkobling av filteret

Transformatoren skal kobles til en standard strømkilde på 230 V 50 Hz som er koblet til en HPFI-jordfeilbryter  $\leq$  mA.

### Installasjon

Det er ikke vanskelig å installere filteranlegget, og det vil ta en voksen person ca. 30 min å gjøre det. Det er viktig å følge instruksjonene i denne bruksanvisningen nøye. Skimmerfilteret skal plasseres mot vinden i bassenget slik at evt. smuss på vannoverflaten føres mot filteret.

### Montering av holderen

Holderarmen skyves inn i filterholderes bøyle.

Skimmerfilteret + filterholderen monteres på bassengkanten.

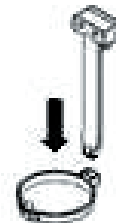
Mutrene settes inn i hullene på bøyle som sitter på utsiden av bassengkanten.

Sett i de to skruene fra bassengsiden og skru dem fast.

Filtersystemet er nå klart til bruk.

### Tilpasning og festing

Løsne opp holderen og sett oppsamlingsfilteret så langt ned at flottøren er på nivå med vannflaten. Vær oppmerksom på at flottøren bør befinne seg ca. halvveis på holderarmen. Trekk til holderen igjen.





## Slik fungerer filteret

Filteret benytter en 12 V overflatepumpe med lav spenning til å sirkulere vannet gjennom en filterpatron. Det må hele tiden være vann i pumpen når den er i drift. Pumpen har en overbelastningsbryter for å unngå skader ved overoppheting. Denne bryteren slår automatisk inn igjen når motoren kjøler seg ned. Filterpatronen filtrerer vannet for smuss, alger, olje, m.m. Filteret renses ved å skylle det under vannkranen.

## Starte pumpen

1. Bassenget skal være fylt med vann opp til over filterkanten. Da flyter vannet inn i filteret slik at det er klart til bruk. Prøv ALDRI å starte pumpen når det er for lite vann i bassenget!
2. Filteret vil fange opp hår, insekter, blader og andre større partikler i vannet. Hold alltid filteret rent for smuss for å ikke overbelaste pumpen.
3. Koble pumpen til en stikkontakt

## Filteret i drift

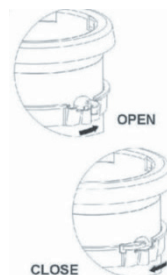
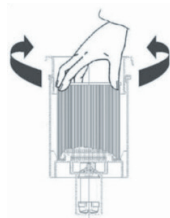
Filteret er nå i vanlig drift. Fortsett å filtrere vannet i bassenget til det er klart og rent.

Filteret skal kjøre i minimum 2 x 4 timer hver dag slik av vannet blir filtrert to ganger i døgnet. Mellom hvert intervall skal pumpen helst hvile noen timer. Koble eventuelt til et tidsur. I perioder med varmt vær og høy badeaktivitet skal filtreringstiden økes. Da øker også vannets behov for vannpleiemidler.

Når filteret er rent, har pumpen en maksimal effekt. Hvis filteret er fylt med oppsamlet smuss, vil vannet derimot ikke kunne sirkuleres ordentlig. Husk å kontrollere filteret så snart gjennomstrømningen minsker, eller hver gang pumpen har kjørt i fem timer – avhengig av hva som inntreffer først. Hvis filteret ser skittent ut, skal det alltid renses!

## Rensing av filteret

1. Slå av strømkilden.
2. Ta opp filteret.
3. Skyll filteret med en hageslange eller under vannkranen. Filteret kan også vaskes i oppvaskmaskin. Skyll både på inn- og utsiden. Filteret kan renses ytterligere ved å skylle det i varmt såpevann. Hvis det oppstår kalkbelegg i filterets lameller, renses det ikke lenger effektivt og må erstattes av et nytt filter. Hvis filteret er fylt med alger og smuss, må en ekstra kraftig vannstråle benyttes ved rensing. La aldri filteret tørke ut da det både vanskeliggjør rengjøring og ødelegger filteret. Ha alltid et reservefilter klart til bruk.
4. Sett filteret tilbake i skimmeren. Skru det forsiktig fast og lukk filteret.
5. Slå på strømkilden og fortsett filtreringen



## **FILTERET MÅ HELE TIDEN HOLDES RENT FOR Å SØRGE FOR RIKTIG VANNGJENNOMSTRØMNING I BASSENGET!**

Bruk kun et filter som er beregnet til dette bassenget. Det kan kjøpes hos din lokale bassengforhandler. Filteret skal være dekket av vann hele tiden for å unngå skader på pumpen.

Bruk kun et filter som er beregnet til dette bassenget. Det kan kjøpes hos din lokale bassengforhandler. Filteret skal være dekket av vann hele tiden for å unngå skader på pumpen.

Tilsett aldri kjemikalier direkte ned i skimmeren. Disse skal i stedet oppløses i en bøtte med vann og fordeles langs bassengkanten. Alternativt kan det benyttes en barnesikret, flytende klordispenser.

Ytterligere opplysninger om vannpleie og bassengtilbehør kan du få hos din lokale bassengforhandler, eller ved å klikke på [www.swim-fun.com](http://www.swim-fun.com)

### Tekniske data

- Filtreringshastighet 2,98 m<sup>3</sup>/t
- Gjennomstrømningshastighet 2 m<sup>3</sup>/t
- Motor 72 W
- Volt 12 V
- Transformator 230/12 V
- IP-klasse I IPX8

### Elektriske komponenter

Filtersystemet har lav spenning og er sikret mot inntrengning av vann. Hvis ledningen eller andre komponenter blir skadet, må hele filterpumpen skiftes ut for at det skal være trygt å bruke systemet.

### Demontering av skimmerfilteret

Hvis det har oppstått en skade på filtersystemet, er fremgangsmåten som følger:

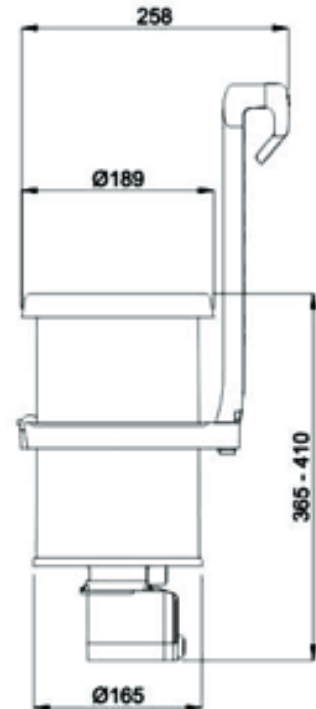
- Koble filtersystemet fra strømkilden
- Demonter filtersystemet fra bassenget
- Demonter filterpumpen fra systemet

### Vinteroppbevaring

Filtersystemet skal demonteres og oppbevares frostfritt om vinteren. Dessuten skal filtersystemet demonteres hvis det ikke skal brukes i en lengre periode. I forbindelse med demonteringen skal filteret renses før det tørker ut. Etter vinteren plasseres systemet i bassenget igjen som beskrevet for første gangs bruk.

### Sikkerhetsbestemmelser

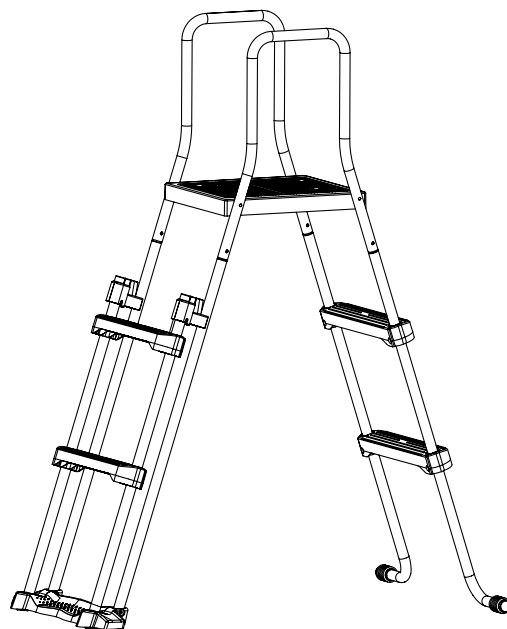
- Det skal være en minimumsavstand på 3,5 meter mellom transformatoren og bassenget
- Elektriske installasjoner skal utføres av en autorisert elektriker
- Filtersystemet skal være slått av når bassenget er i bruk
- Filtersystemet må ALDRI kjøres uten vann
- Berør ikke systemet med våte hender mens det er i drift
- Hvis filteret skal håndteres, må strømkilden alltid kobles fra først
- Hvis filteret skal håndteres, må det alltid skje på et tørt underlag
- Oppbevar aldri filteret på et fuktig sted, da det kan føre til elektrisk støt
- Barn og voksne må aldri sitte på/lene seg mot filteret
- Hvis ledningen blir skadet, må hele anlegget skiftes ut
- Eventuelle spørsmål rettes til bassengforhandleren, eller til [info@swim-fun.com](mailto:info@swim-fun.com)



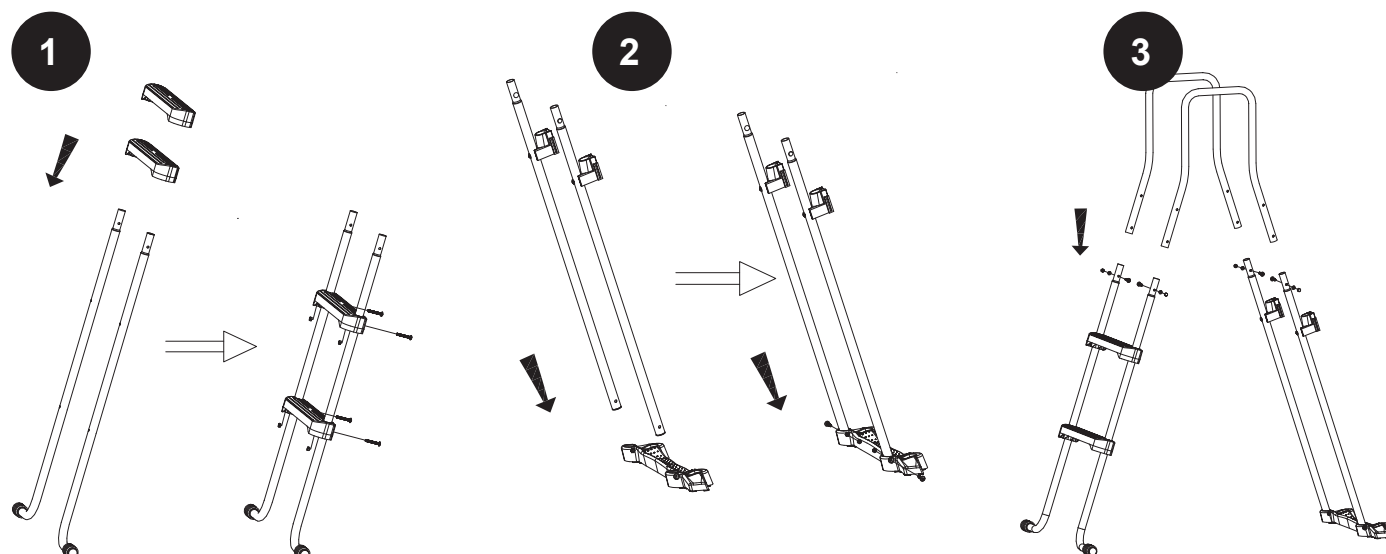
## VII. Stige

Det følger en stige med bassenget.

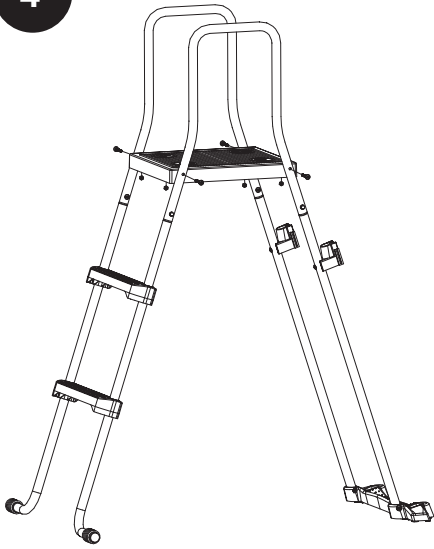
Maks. belastning på stigen er 85 kg.



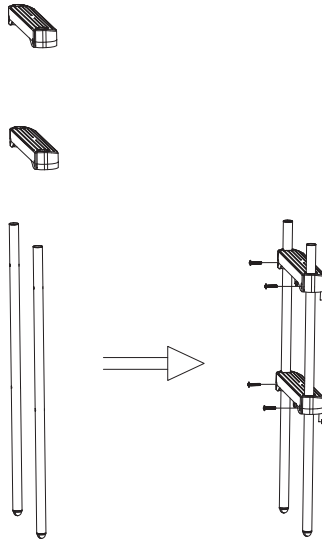
NO.	NAME	MATERIAL	QTY
1	M6X30 bolt	SUS304	4
2	M6 washer	SUS304	4
3	M6 cap nut	SUS304	4
4	step	PP	4
5	M6 lock nut	SUS304	10
6	M6X40 Bolt	SUS304	2
7	bracket	COATED STEEL	2
8	studdle	COATED STEEL	2
9	foot bar	COATED STEEL	4
10	lock	PP	2
11	M6 nut	SUS304	4
12	handrail	COATED STEEL	2
13	sitting platform	PP	1
14	M6X45	SUS304	12



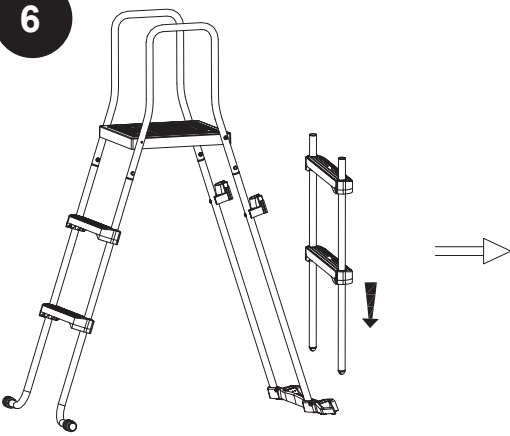
4



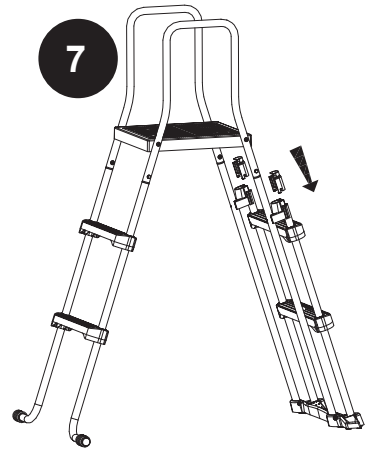
5



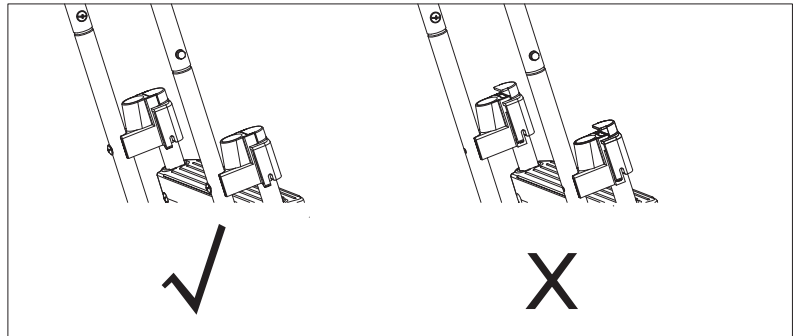
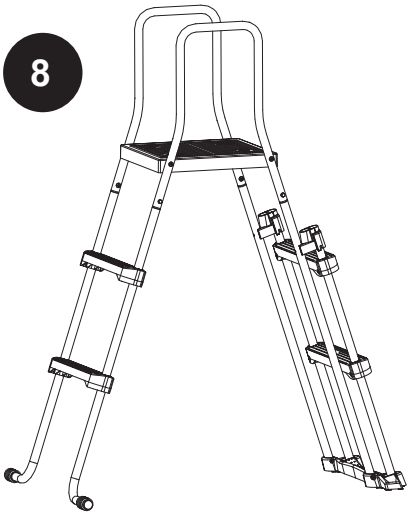
6



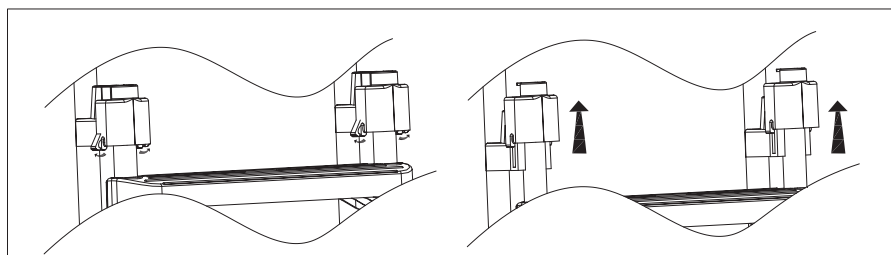
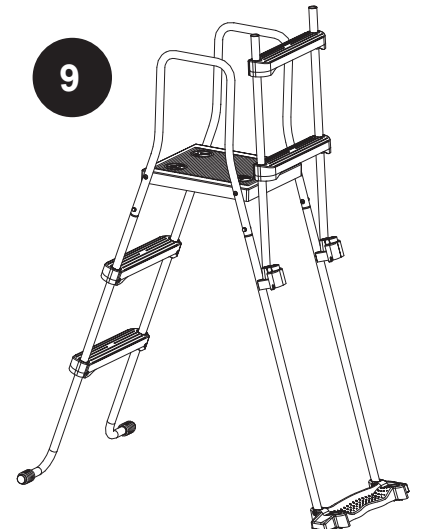
7



8



9





## VIII. Oppgradere til bruk med et eksternt sandfiltersystem

*(ekstra utstyr – følger ikke med bassenget)*

### Returdyse og fastmontert skimmer

Kreta hagebasseng er konstruert slik at det enkelt kan "oppgraderes" til bruk med et eksternt sandfiltersystem. Et sandfiltersystem med en renseseffekt på minimum 4 m<sup>3</sup>/t vil gi renere og klarer vann, redusere kjemikaliebehovet til et minimum samt muliggjøre både bruk av solfangere og effektiv støvsuging av bassengbunnen.

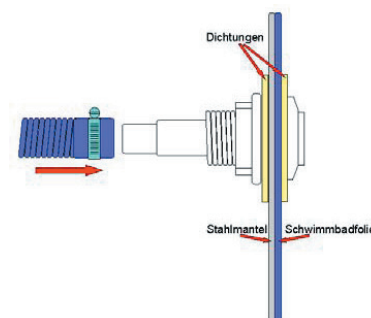
Sag/skjær forsiktig ut den runde utstansingen (returløp) fra bassengveggen og den firkantede utstansingen til skimmeren. Dette kan ikke gjøres med en duk på innsiden av bassenget, så duken må derfor først løsnes forsiktig fra toppskinnen i området. Alternativt kan duken erstattes med en ny. Ved nymontering lages hullene i bassengveggen før duken monteres i bassenget.

### Returløpet

Fyll bassenget med vann inntil 5 cm under den runde utstansingen til returløpet.

Skjær deretter et kryss i duken med en skarp hobbykniv uten å skjære lenger ut enn hullets utstansing.

Monter returløpsdysen med 1 stk. pakning fra bassengsiden og ut. De oppstående trekantene av overskuddsduk skjæres av rent og nøyaktig utvendig langs dysen. Monter deretter den andre pakningen fra bassengets utside og skru den store koblingen fast utenpå pakningen. Bruk teflonteip i gjengen. Returdysen skal sitte godt fast, men koblingen må ikke trekkes til for hardt (stram forsiktig).



Hvis returdysen leveres med en løs stuss til montering av filterslangen, skal det også her benyttes teflonteip i gjengen når delene settes sammen.

Når returdysen er riktig montert, kan skimmeren monteres..

### Skimmeren

Ta skimmerens firkantede flyteplate av skimmeren. Vær oppmerksom på at skimmeren kan leveres med enten 2 stk. enkeltpakninger eller 1 stk. tosidig pakning.

### Montering med to skimmerpakninger

Ta skimmersettes firkantede innerramme (hard plast) og én av pakningene.

Sett en skrue i hvert av de øverste hullene.

Plasser skimmerrammen på innsiden av bassenget og press skruene innenfra og ut gjennom de to respektive utstansede hullene i bassengveggen. Dermed penetreres også duken. Kontroller på forhånd at skimmerrammen og pakningen vender riktig vei slik at alle hull flukter med hverandre. Monter den andre pakningen på den andre siden av bassengveggen, og fest deretter skruen i skimmerhusets respektive skruehull.

De resterende skruene monteres på samme måte fra innsiden av bassenget og ut gjennom pakningene, og inn i skimmerhuset. Alle skruehull flukter således gjennom bassengveggen ved riktig montering.

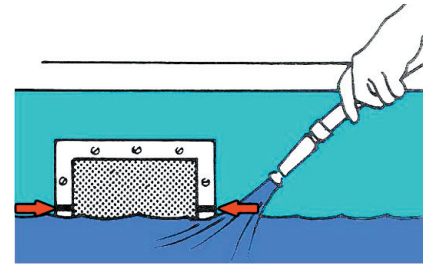
Pass på at skimmerpakningene er montert likt langs utskjæringen på begge sider.

Trekk til skruene parvis diagonalt og med jevn kraft for å sikre tetthet. Bruk kun en manuell skrutrekker, og pass på å ikke trekke gjengen for hardt til (bruk ikke en elektrisk maskin!).

Fjern duken langs kanten inne i skimmeråpningen med en skarp kniv. Skruene skal deretter ettertrekkes forsiktig.

### **Montering med tosidig pakning**

Fyll bassenget opp til ca. 5 cm under skimmerutskjæringen. Skjær forsiktig et tilsvarende hull i duken ut fra utskjæringen i bassengveggen. Monter pakningen i veggens skimmerutskjæring slik at den sitter rundt både duken og bassengveggen. Pass på at den flukter med skruhullene på alle fire sider. Fest nå skimmerens innerramme til selve skimmerhuset med skruer innenfra.



*Ytterligere informasjon om filtrering, vannpleie, overvintring, tilbehør, m.m. kan innhentes hos din bassengforhandler, eller alternativt på [www.swim-fun.info](http://www.swim-fun.info)*

## **IX. Informasjon om nedgraving av bassenget**

Våre bassenger med stålvegg er i utgangspunktet utviklet for å brukes som frittstående bassenger i hagen. Det bør derfor bemerkes at produktgarantien ikke dekker skader forårsaket av feil installasjon eller hvis bassenget er brukt nedgravd i bakken. Ønsker du å få bassenget nedgravd så anbefales det å kontakte en fagmann til å utføre oppgaven.

Hvis du ønsker å grave ned bassenget, må disse forholdsreglene følges:

### **Sted:**

Sjekk din kommune om tillatelse er nødvendig for å plassere et basseng på ønsket sted. Det anbefales at du alltid også kontakter forsikringsselskapet før du bygger og graver ned bassenget. Det er du som bassengeier som er forpliktet til å informere forsikringsselskapet at du har basseng på tomten.

### **Forberedelse:**

Velg området hvor bassenget skal være.

For runde bassenger skal det markeres en diameter som er 1 meter høyere enn selve bassenget. For ovale bassenger skal det markeres et område som er 1 meter lengre enn bassengets lengde og 2 meter bredere enn bassengets bredde.

### **Overflate:**

Underlaget der bassenget skal stå må være fullstendig jevnt og 100 % hardt og fast. Sett aldri bassenget på et bløtt eller ettergivende underlag som kan gjøre at bassenget siger under vekten av vannet. Husk at 1000 l => 1 m<sup>3</sup> => 1000 kg! Det må ikke være hull, steiner, planter eller røtter i bakken som kan perforere duken. Vi anbefaler at det støpes et 15 cm fundament av armert betong. Dette underlaget skal være helt jevnt og 100 % i vater.

For å beskytte duken, skal det alltid plasseres et bunndekke på underlaget. Det kan også legges et ekstra lag av 50 mm isolerende harde styrolitplater i bunnen.

Velg en solrik beliggenhet for bassenget som også er i nærheten av vann, avløp og strøm.

Ikke plasser bassenget oppå elektriske kabler, gassledninger eller i områder med høyt grunnvann.

Ikke plasser bassenget under strømførende luftledninger.

Velg en plassering som gir ly og hvor det ikke er noen trær i umiddelbar nærhet, da løv ellers vil havne i bas-



senget. Plasser bassengets skimmer slik at normale vinden blåser mot bassengets skimmer.

Husk at bassengets filter og pumpe alltid må monteres slik at det er på samme nivå som bassengbunnen.

### **Graving:**

Husk å ta hensyn til av skimmer, returløp og stige. Utgravingen bør være 15 cm dypere enn bassengets høyde. Hvis bassenget er 120 cm høyt, skal dybden altså være 135 cm.

### **Installasjon - Alternativ 1: Bygd med bassengdekk av tre**

Når underlaget er ferdig, settes bassenget opp på samme måte som om det sto fritt på bakken. Det anbefales alltid å la et basseng å stå helt fritt i et nedgravd hull uten kontakt med andre konstruksjoner. Derfor skal jorden jevnes ut bort fra bunnplaten og skrått utover, slik at det ikke kommer jord og grus ned mot bassengveggen, heller ikke i kraftig regn osv. Bassenget blir derfor stående i et "traktformet" hull med horisontal bunnplate. Man kan velge å sikre de skrå jordveggene på ulike måter. For eksempel med oppmuring eller annet, det spiller ingen rolle, det må bare sikres at bassenget alltid står fritt i hullet. Spør ev. en bygningssakyndig om hvordan dette gjøres best på byggeplassen din.

Det anbefales å fullføre denne "nedgravingen" ved å bygge et bassengdekk av tre fram mot bassenget.. Dette bassengdekket støttes nærmest bassenget med stolper som plasseres i en ring ca. 20-30 cm fra bassengkanten. På denne måten får man et "nedgravd" basseng samt et omkransende bassengdekk hvor det er behagelig å ferdes og sole seg.

### **Alternativ 2: Bygd uten bassengdekk av tre**

Mange velger å grave ned bassenget på mer tradisjonell måte. Bassenget skal i så fall settes opp som nevnt foran på bunnplaten, og basseng og filtersystemet forbindes med armert fkelisibel slange eller alternativt med harde rør. Filter og pumpe settes i en separat nedgravd sjakt som har nok plass til at den løpende håndteringen er problemfri etterpå. Husk å ta med plasseringen av skimmer, returløp og stige med i beregningen

### **Installasjon:**

Følg instruksjonene i bruksanvisningen, slik at bassenget settes opp på samme måte som om det sto fritt på bakken. Bassenget kobles til filtersystemet med harde pvc-rør eller med armert bassengslange.

Fyll bassenget med vann. Når bassenget skal fylles med vann, skal du alltid gjøre det med en vannslange slik at duken i bassenget får tid til å strekke seg ordentlig ut. OBS! Du må aldri fylle bassenget fra en brannbil, da påfyllingen skjer for raskt og kan skade bassenget.

Kle nå bassenget med flere lag 20 mm isolasjonsmateriale (isopor) hele veien rundt bassengveggen. Isolasjonen festes med teip. Kledningen skal isolere bassengveggen fullstendig mot enhver direkte kontakt med sang, betong eller annet materiale

Mellomrommet mellom jordkanten og bassengveggen skal fylles med tørrbetong, som består av en blanding av 1/5 sement og 4/5 fin grus. Husk at bassenget alltid skal være fylt med vann i forveien. Dette arbeidet skal utføres i etapper, slik at det fylles ca. 30 av gangen hele veien rundt bassenget hver gang. Ikke trykk materialet unødige sammen, da det kan trykke inn bassengveggen og forårsake buler.

Hvis man velger å grave ned ovale bassenger på denne måten, må man alltid lage en støttemur på hver langside av bassenget for å avlaste det utvendige marktrykket.

### **Vedlikehold av basseng:**

Du må kontrollere løpende at bassenget er i perfekt stand. Duken må være ren, bassengslangene skal være riktig tilkoblet, stigen skal være korrekt oppsatt og filtersystemet skal gå optimalt.

Husk å kontrollere at vannets pH- og klorverdi er korrekt justert, slik at vannet holdes rent og desinfisert.

## X. Vinterklargjøring

Når sommeren eller badesesongen er over, må du følge disse anvisningene for å gjøre bassenget klart for vinteren.

### **Viktig:**

Hvis du ikke følger rådene for vinterforberedelse, kan garantien bortfalle, og i verste fall kan bassenget ditt ta skade.

### **1. Senk vannstanden i bassenget.**

Senk vannstanden i bassenget til det er ca. 15 cm vann under returløpet. Monter ev. en vinterplugg (varenr. 1519) i returløpdysen, så kan vannstanden økes til 15 cm under skimmeren i stedet. Fjern alle slanger som er koblet til skimmeren og pumpen. Sørg for at alt vann er kommet ut av skimmerhuset, og at det fri passasje slik at ev. vann kan renne ut.

### **2. Sjekk alle skjøter og skruer.**

Kontroller at alle rammeskjøter er sikre. Kontroller at bassengveggen ikke har forskjøvet seg fra bunnskinnen. Sørg for at alle skruer og bolter er trukket ordentlig til.

### **3. Påse at det ikke er rust.**

Mal alle rustne områder med rusthemmende maling.

### **4. Kontroller bassengets duk.**

Kontroller at toppen av duken er godt festet til bassengveggen med plastlisten. Du må ikke fjerne duken fra bassenget. Fjerning av duken vil medføre at garantien bortfaller. Ikke fjern alt vannet fra bassenget.

### **5. Se etter hull.**

Kontroller at det ikke er hull i duken. Reparer eventuelle hull med et lappesett for bassenger. Små hull om vinteren kan forårsake store skader på bassenget.

### **6. Bassengtilbehør.**

Fjern alt tilbehør fra bassenget, også stigen. La skimmeren være påmontert. Påse at skimmeren er lukket i overkant og at åpningen i bunnen er åpen, slik at ev. vann kan renne ut.

### **7. Rengjøring**

Tilsett et overvintringsmiddel i bassengvannet etter fysisk rengjøring, pH-justering og klorsjokk. Det motvirker at det kan feste seg belegg av alger og kalk i bassenget.

### **8. Filteret.**

Fjern bassengslangene fra filteret. Tøm sandfilteret helt for vann og sand og legg det frostfritt for vinteren.

### **9. Minimer mulige skader pga. kraftig isdannelse.**

Bassengbeskyttere (varenr. 1613) plasseres på tvers i bassenget. De flyter i vannskorpen av seg selv. De absorberer et ev. ekstra trykk fra isdannelse og reduserer dermed muligheten for frostskaade på bassengduken.

## 10. Dekk bassenget med en vinterpresenning

For å unngå for mye smuss og for gode vekstvilkår for alger og bakterier, skal bassenget dekket med en mørk vinterpresenning. Presenningen spennes fast med låsevaieren som følger med.

**Detaljert informasjon om filtrering, vannpleie, overvintring og tilbehør m.m. kan fås hos din poolforhandler, eller alternativt på [www.swim-fun.com](http://www.swim-fun.com)**

## XI. Garanti

Der er garanti på 12 måneder (+ 12 måneders garanti). Garantitiden gjelder fra kjøpsdato på kvitteringen. Kvitteringen må fremvises ved servicehenvendelser i garantiperioden. Det er derfor viktig at du tar vare på kvitteringen. Garantien dekker ikke normal slitasje, riper, skrammer eller kosmetisk skade. Garantien dekker spesielt ikke ikke skader som skyldes:

- Feil bruk eller håndtering
- Skjødesløshet
- Reparasjoner, endringer eller lignende utført av andre enn Swim & Sport Service.

For klager, må du kontakte forhandleren. Ved innlevering av defekt produkt skal produktet være pakket slik at det er beskyttet mot transportskader. Det er ditt ansvar at produktet kommer trygt frem. Du må oppgi navn, adresse, telefonnummer og e-postadresse, dersom produktet må returneres til deg! Husk alltid å oppgi hva som er galt med produktet.

For mer forbruker informasjon og tips, se vår hjemmeside: [www.swim-fun.com](http://www.swim-fun.com).

Denne håndboken er å beskytte opphavsretten.

### **Swim & Fun Scandinavia – hotline:**

Danmark        +45 7022 6856

Sverige        +46 771 188819

## XII. Tilbehør

### Anbefalt grunnutstyr til bassenget:



### Bunndekke

Bør aldri glemmes! Før bassenget settes opp, bør du bruke et bunndekke som beskytter bassengets duk mot mekanisk slitasje og penetrering nedenfra av små steiner eller røtter. Dessuten gjør bunndekket bassengets bunn mer behagelig å gå på.

Artikkel: 1566 Bunndekke Ø3,50M  
Artikkel: 1620 Bunndekke Ø4,60M



### Sommertrekk

Et sommertrekk isolerer bassenget mot betydelig varmetap om natten når luften blir avkjølt. Dermed holdes temperaturen i bassenget oppe, og badesesongen forlenges. Samtidig beskytter et sommertrekk mot luftbåret skitt og blader i luften. Har du i tillegg en solvarmer koblet til bassenget, er sommertrekket absolutt påkrevd. Sommertrekket plasseres i vannoverflaten med luftboblene ned.

Artikkel: 1564 Sommertrekk Ø3,50M  
Artikkel: 4925 Sommertrekk Ø4,60M



### Vintertrekk

En vintertrekk bør brukes når bassenget ikke lenger er i bruk. Da unngår man at løv, insekter og skitt havner i bassenget. Trekket spennes rundt bassenget med en medfølgende sikkerhetsvaier med låsetvinge. Dermed er bassenget sikret mot uønsket ad-

gang – selv om det ikke egentlig er et sikkerhetstrekk. Vintertrekket kan også med fordel brukes når bassenget ikke brukes i lengre perioder til andre tider av året

Artikkel 1581 Vintertrekk Ø3,50M  
Artikkel 1607 Vintertrekk Ø4,60M



### Teleskopstang

3-delt 1,20 – 3,60M

Artikkel: 1515



### Bunnsugehode

Til rengjøring av bassengbunnen. Kan brukes koblet til en standard hageslange. Anbefales til bruk i basseng uten sandfilter. Passer til teleskopstang

Artikkel: 1514



### Overflatehov

Brukes til å holde overflaten ren for blader osv. Passer tilteleskopstang.

Artikkel: 1506



### Bunnett

Brukes til å holde bassengbunnen ren for løv osv. Passer tilteleskopstang.

Artikkel: 1507



### Kost

Ekstra stor, myk bassengkost som brukes til å rengjøre duken.

Artikkel: 1504



### Kjemikaliedispenser

Brukes til dosering av bassengklor i sakte oppløselige 20 g tabletter.

Spesiell barnesikret modell!

Artikkel: 1567



### Termometer

Viser badevannets temperatur

Artikkel: 1527

**Ønsker du å oppgradere ditt KRETA basseng med et sandfiltersystem, skal du bruke følgende tilbehør:**



### Skimmer

Skimmeren bygges inn i bassengveggen (bassengveggen er forberedt for dette). Skimmeren leveres komplett, inklusive returløp til bassenget

Artikkel: 1533



### Filterpose tilfor skimmer

Effektive små filterposer som enkelt plasseres i bassengets skimmer. Dermed fanges det opp fysiske urenheter før de når filteret. Bruk av en skimmerpose reduserer dermed forbruket av både kjemikalier og vann, ettersom sandfilteret ikke må returskylles så ofte for oppsamlede urenheter.

Artikkel 1549 (5 stk./pakke.)



### Bassengslange

Fleksibel bassengslange til frittstående basseng leveres med diameter 32 mm eller 38 mm. Begge størrelsene kan brukes såfremt det benyttes SWIM & FUN skimmer og sandfiltersystem.

Artikkel: 1582 Ø32 mm Bassengslange, 6,6 meter (i delbare seksjoner på 1,20 m)

Artikkel: 1542 Ø38 mm Bassengslange, 9,0 meter (i delbare seksjoner på 1,50 m)



### Sandfiltersystem

F.eks. sandfilter 1044 med en effektiv renseeffekt på 4 500 l/t. En sandfilter renser effektivt vannet, og pumpen kan f.eks. også brukes til støvsuging av bassengbunnen eller til sirkulasjon av vannet gjennom en bassengsolvarmer. Sandfilteret er selvrensende, og sanden skal derfor ikke skiftes i løpet av badesesongen

Artikkel 1044



### Filterballs

Benyttes i sandfilteranlæg i stedet for sand. 700g = 25 kg,

Artikkel 1069



### Filtersand

Spesialsand i kornstørrelse 0,4 til 0,8 mm. Brukes i sandfilter.

Artikkel 1536: Pose à 25 kg.



### Bunnsugerhode

Vektbelastet bunnsugerhode med sidebørster anbefales ved bruk med sandfilter.

Artikkel 1513

## Overvintring

Tilbehør som beskytter bassenget mot mulig skade forårsaket av frost.



### Vinterbeskytter til skimmer

Skimmerbeskytteren monteres i bassengets skimmer om vinteren. Den absorberer et ekstra trykk fra ev. isdannelse i skimmeren.

Artikkel: 1612



### Vinterbeskytter til basseng

Bassengbeskyttere plasseres på tvers av bassenget. De flyter av seg selv i vannoverflaten. De absorberer et ekstra trykk fra isdannelse og reduserer dermed muligheten for frostskaide på bassengduken.

Artikkel: 1613



### Vinterplugg til returløp

Plugg med gjenger slik at det er enkelt å stenge returløpet når slangene demonteres.

Artikkel: 1519



### Stengeventil til skimmer

Det brukes 2 stk. – en til skimmeren og en til mongering på returdysen

Artikkel: 1555

## Vandpleie

Disse grunnleggende vannpleieproduktene får du bruk for til hagebassenget ditt.



### pH Minus

Til justering av vannet dersom du har hardt vann.

Artikkel: 1714 -1,5 kg.

---



### pH Plus

Til justering av vannet dersom du har bløtt vann.

Artikkel: 1712 -1,5 kg.

---



### Klor Starter

Rask og effektiv grunninfeksjon av vannet når bassenget fylles opp. Brukes også løpende i badesesongen til sjokkbehandling av vannet.

Artikkel: 1701 -1 kg.

---



### Klor Weektab

Langsamt løselige klortabletter som opprettholder vannets renhet i løpet av sommeren.

Artikkel: 1737 -1 kg.

---



### Combi tabs

Combitabs 20 g klorfrie 3-i-1-tabletter. Det klorfrie alternativet

Artikkel: 1758

---



### Pool Test Strips

Teststrimler for enkel måling av pH/ klorverdi.

Artikkel: 1737 – 50 stk.

---



### Klar Pool

Hindrer dannelse av glatt belegg på bassengets innside, samt misfarget sand.

Artikkel: 1716 -1 l.

---



### Easy Pool

Easy Pool kan brukes som et enkelt og effektivt alternativ til Langsomklor og Klar Pool. Engangsprodukt – holder 1-2 måneder i bruk.

Artikkel: 1775 – mini

Artikkel: 1776 - maxi

---



## SE Innehållsförteckning:

Viktig information – dellista.....	58
I. Nödvändiga verktyg .....	59
II. Hitta rätt plats för poolen.....	59
III. Kontrollera poolens komponenter.....	60
IV. Rensning av underlaget.....	60
V. Uppsättning av poolen .....	61
VI. Montering av poolens skimmerfilter .....	63
VII. Stege.....	66
VIII. Returmunstycke och fastmonterad skimmer (extra tillbehör) / Uppgradering med externt sandfiltersystem.....	68
IX. Nergrävning av pool.....	69
X. Vinterförvaring.....	71
XI. Garanti .....	72
XII. Tillbehör .....	73

**Poolen får  
INTE ställas upp  
i blåsväder!**

### Viktigt

Läs hela manualen och säkerhetsupplysningarna innan du börjar sätta upp poolen! Du bör också kontrollera att alla komponenter finns med i kartongen. Använd checklistan!

### Dellista

1. Botten- och toppprofiler (likadana), 2 x 14 st. (Ø4,60 = 2x 17 st.). Skall skäras till – se manualen.
2. Små fogrör till botten- och toppprofiler, 56 st. (Ø4,60 = 68 st.)
3. Remsa för avtäckning av poolväggens insida över fog, 1 st.
4. Poolliner 0,30 mm, 1 st.
5. M6 x 11 mm-skrivar, rostfritt stål, 20 st.
6. M6-mutter, rostfritt stål, 20 st.
7. M6-spännskiva, rostfritt stål, 20 st.
8. Plastlock till muttrar, 20 st.
9. Poolvägg, 0,30 mm stål, 1 st.
10. Delar till säkerhetsstege, se sida 66.

### Viktigt

Börja INTE sätta upp poolen på blåsiga platser eller på en blåsig dag! Kreta familjepool är avsedd att användas som en fristående pool. Om man önskar gräva ned den så kan instruktioner för detta hämtas på vår hemsida [www.swim-fun.com](http://www.swim-fun.com). Garantierna gäller inte om poolen är helt- eller delvis nergrävd.

## Säkerhetsinformation

1. Låt ingen använda poolen utan att det finns minst en vuxen person på plats.
2. Dyk och hoppa aldrig ner i vattnet från poolkanten. Sitt inte eller klättra på poolväggen. Kantlisten överst på poolväggen är inte konstruerad för en sådan belastning.
3. Följ ALLTID uppsättningsinstruktionerna samt säkerhetsinstruktionerna.
4. Försäkra dig om att både poolen och filtret är uppsatta enligt manualen.
5. Tillåt inte vild lek i poolen eller i närheten av den.
6. Ändra aldrig på poolens konstruktion och ta aldrig bort delar av den. Följ alltid instruktionerna i manualen.
7. Stegen ska placeras på en stabil grund och ska alltid stå helt rak. Stegen kan bära en person åt gången och max 85 kg.
8. Ha alltid ansiktet mot stegen när du går ner i/upp ur poolen.
9. Använd aldrig stegen till annat än att gå ner i och upp ur poolen. Ta bort stegen, när poolen inte används.
10. Kontrollera regelbundet att alla delar av poolen och stegen är intakta och fungerar. Byt ut slitna delar vid behov. Se också till att dra åt skruvar, muttrar och bultar.

**Undvik drunkningsolyckor! Håll alltid barn under uppsikt.**

**Poolens kanter är inte utformade för att springa ut från eller dyka från!**

## I. Nödvändiga verktyg

Försäkra dig om att du har alla de verktyg och material som behövs för att sätta upp poolen inom räckhåll; en spade, en hacka, en kratta, en ribba som är längre än poolens radie, bottenskyddet till poolen samt fint grus.

Du har också användning av snöre, bred tejp, skruvnycklar storlek 8+10, klädnypor, en hobbykniv, en tång, ett vattenpass, skruvdragare med platt- och stjärnmejsel, två märkpinningar samt färgspray – alternativt sand eller kalkpulver för markering. Innan du gör klart för uppsättning av poolen rekommenderar vi att den medföljande stegen sätts ihop. Börja med att montera stegens trappsteg för att sedan sätta på de två sidorna – se sida 19.

## II. Hitta rätt plats för poolen

Vilken plats du väljer att sätta upp poolen på har mycket stor betydelse för hur nöjd du senare blir med poolen. **Det är 100 % avgörande att du väljer ett fast och helt jämnt underlag att sätta upp poolen på. Poolen ska stå HELT rak!**

Välj inte en plats med mycket träd, så undviker du problem med nedfallna löv i poolen.

Försäkra dig om att det finns tillgång till elektricitet och vatten på den valda platsen.

Av hänsyn till barnsäkerheten rekommenderas att poolen inte sätts upp på platser som barn kan komma åt.

### III. Kontrollera poolens komponenter

Vi rekommenderar att du kontrollerar det korrekta antalet komponenter innan poolen sätts upp. Se den separata dellistan först i manualen.

### IV. Förberedelse av underlaget

Sätt en märkpinne i mitten av den plats som valts till poolen. Bind fast ett snöre i pinnen. Snörets längd ska vara lika med poolens radie + rekommenderade 25 cm (totalt 2,0 m). På detta sätt kan poolens omkrets visas på marken, genom att en person rör sig hela vägen runt märkpinnen i mitten. Använd t.ex. färgspray eller sand för att märka ut omkretsen på marken.

#### Viktigt

**poolens underlag ska vara fast och 100 % jämnt!!!**

#### Varning!

Undvik att fylla på underlaget med extra jord. Det ger ett mjukt och alltför instabilt underlag när poolen fylls med vatten och därmed trycker ner underlaget med en vikt på 8 ton!



Gräv istället alltid ut underlaget så att det är helt fast och jämnt. Den mjuka gräsytan ska alltså alltid tas bort om poolen ska stå på en gräsmatta.

Använd ett vattenpass som tejpas fast på en två meter lång ribba för att se till att underlaget är rakt. Kontrollera på flera olika ställen att underlaget är rakt.

Till sist ska underlaget krattas grundligt, så att inte bara allt gräs m.m. utan också all småsten, grenar, kvistar och rötter tas bort från poolområdet.

Det rekommenderas alltid att du placerar ett bottenskydd under poolen för att minimera mekaniskt slit på linern samt förhindra att den genomträngs av sten och rötter nerifrån. Det gör också poolbotten mer behaglig att gå på. Ett bottenskydd består normalt av flera stycken som placeras med två centimeters överlappning mellan. Överskottsmaterial tas bort till sist.

## V. Uppsättning av poolen

### 1. Hopsättning av bottenstenorna

På poolområdet sätts profilerna ihop till en rund bottenram (använd 14 st. av profilerna). (fig.1).

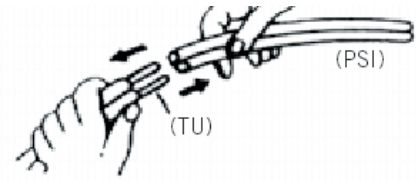


Fig. 1

Kontrollera att cirkeln är rund och placerad korrekt i förhållande till märkpinnen som används i underlaget. Detta är mycket viktigt för att se till att poolens liner fortsättningsvis kommer att ligga korrekt (bild 2).

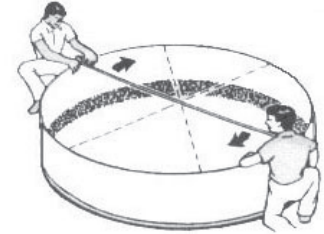


Fig. 2

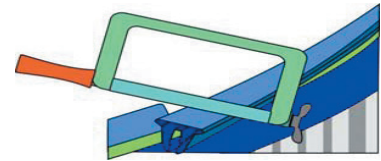
### 2. Uppsättning av poolvägg

För detta krävs minst två vuxna personer, gärna flera, då poolväggen vid detta tillfälle kan vara rätt "rörlig" att arbeta med. Montera därför aldrig i blåsig väder.

Ställ upp poolväggen lodrätt på t.ex. ett stycke papp i mitten av bottenramen. Väggen rullas ut medsols och placeras därefter lodrätt i bottenstenan hela vägen runt. Kom ihåg att kontrollera att poolväggen inte monteras "upp och ner" – det utstansade området på väggen ska vara uppåt (ej på bilden). Dessa utstansningar ska inte användas till något när den medföljande poolpumpen används. Utstansningarna har främst betydelse om man senare vill "uppgradera" poolen med ett sandfiltersystem och sätta in en inbyggd väggskimmer i poolväggen.

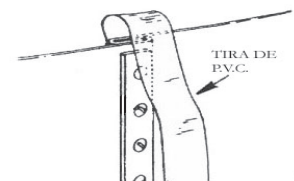
#### VIKTIGT

Lägg märke till att längden på botten- och toppskenor skall anpassas efter poolväggen på plats. Spara därför ett stycke av bottenstenan så att poolväggen kan monteras. Var noggrann med detta, men vänta ändå med att spara ett motsvarande stycke av toppskenan tills poolen är slutmonterad.



### 3. Fastsättning av poolväggen

Du SKA använda alla skruvar och bultar som ingår. Det får inte finnas något oanvänt skruvhål i poolväggen. Sätt i skruvarna från insidan och dra åt dem med spännskiva och mutter från utsidan. Sätt på plastlock över muttrarna på poolväggens utsida.



### 4. Skydd av linern

På insidan av poolen täcks skruvhuvudena med det medföljande linerstycket, som tejpas fast på väggen för att skydda poolens liner mot slitage (bild 3)..

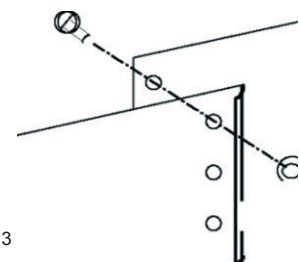
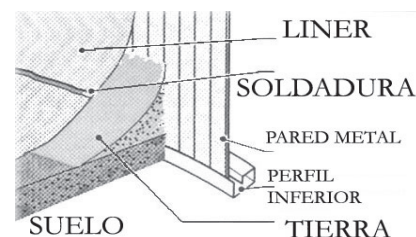


Fig. 3

## **5. Kontrollera det arbete som utförts hittills**

Undersök en extra gång att poolens underlag är helt jämnt och att poolväggen står i en perfekt cirkel, så att det inte blir något problem med den följande monteringen av linern. Det sistnämnda kan göras genom att du mäter korsvis över poolen. Eventuella fel ska rättas till omgående, innan uppsättningen fortsätter..



## **6. Grusvall på insidan av poolen (bild 4)**

En liten grusvall förhindrar att linern ev. kan tryckas ut under poolväggen. Det bör därför finnas en vall i övergången mellan botten och poolvägg hela vägen runt. Använd grus utan småsten. Ge grusvallen en fast och likformig yta hela vägen runt.

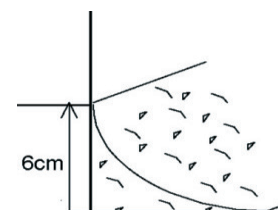


Fig. 4

## **7. Montering av linern**

Poolens liner är den viktigaste och mest ömtåliga delen av poolen. När linerns förpackning öppnas är det därför viktigt att aldrig använda kniv eller andra vassa verktyg. Linern bör förvaras för sig när man sätter upp poolen, för att undvika eventuella oförutsedda skador på linern från verktyg eller metallkanter.

Till monteringen ska man vara flera personer. Linern får mycket gärna ligga och bli uppvärmd av solstrålarna innan den viks ut – det gör materialet mer flexibelt och lättare att arbeta med. Utomhustemperaturen ska vara 20–25 grader när linern hanteras. Montera aldrig en mycket kall liner eller en liner vars temperatur är över 25 grader, då avvikande temperaturer lätt kan medföra ändringar i linerns flexibla material. Det kan påverka resultatet av uppsättningen.

Undersök att det inte är hål i linern. Sprid därefter ut linern så bra som möjligt från mitten av poolen och hela vägen runt längs poolväggen.

### **OBS: Undvik att använda skor när linern sprids ut från mitten mot poolväggen!**

Den översta delen av linerns sidor hålls tillfälligt fast ut över poolväggens kant med klädnypor..



Kontrollera att linerns svetsning mellan botten och sidor ligger enhetligt runt längs den fasta grusvallen.

Kontrollera poolens diameter och fyll nu max ett par cm vatten i botten av poolen. Det får inte vara mer än så! Justera/ dra i linern hela vägen runt i poolen, så att veck plattas ut så mycket som möjligt på botten och sidor. Detta görs bäst genom att man står i mitten av poolen och slätar ut linern mot poolsidorna. Lägga märke till att detta inte längre kan rättas till när man senare fyller på mer vatten i poolen!

När det finns minimalt med veck i poolbotten utslätas därefter vecken upp längs sidorna. Var uppmärksam på att inte dra linern för hårt upp över poolkanten innan poolen är fylld. Det är fortfarande möjligt att göra en lätt uppstramning av linern vid ett vattenstånd på ca 30 cm, så vänta lite till med att montera fast toppskenorna över poolkanten.

Det går nu att fylla på mer vatten i poolen. Håll under tiden ett öga på att poolen inte tappar sin runda form. Ta av klädnypona och montera istället toppskenorna på poolkanten. Toppskenorna fogas ihop på samma sätt som botten-skenorna och ska sitta tätt hela vägen runt. Vattenlinjen ska inte vara högre än ca 15 cm från kanten. Ev. utskjutande botten-skydd kan nu tas bort/klippas till.

## VI. Montering av poolens skimmerfilter

**Viktigt:** Denna manual innehåller viktig säkerhetsinformation om montering och användning av skimmerfiltret. Manualen ska därför läsas igenom grundligt av den person som monterar filtret, och av dem som dagligen hanterar pool och filter. Behåll därför denna manual så att den är tillgänglig om det vid ett senare tillfälle skulle uppstå frågor om funktion och användning av filtret.

### Dellista:

I kartongen med skimmerfiltret finns följande komponenter.

1. Skimmerfilter
2. Hållare till trädgårdspool
3. Fäste till hållaren
4. Motor och transformator

### Allmän beskrivning

Detta skimmerfilter är avsett för användning i pooler med färskvatten.

Det rör sig om en elektrisk apparat i säkerhetsklassen IPX8 (motståndskraftig mot inträngande damm, fasta partiklar och fukt).

### Anslutning av filtret

Transformatorn ska anslutas till en standardströmkälla på 230 V 50 Hz, som är ansluten till en hpfi-jordfelsbrytare  $\leq$ mA.

### Installation

Det är inte svårt att installera detta filtersystem, och en vuxen person kan göra det på ca 30 minuter. Anvisningarna i denna manual ska följas noga. Skimmerfiltret ska placeras mot vinden i poolen, så att ev. smuts på vattenytan lättare förs mot filtret.

### Fastsättning av hållaren

Hållararmen skjuts in i filterhållarens fästen.

Skimmerfiltret + filterhållaren monteras på poolkanten.

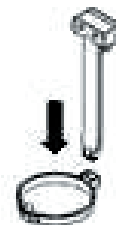
Muttrarna sätts in i hålen på det fäste som sitter på utsidan av poolkanten.

De två skruvarna sätts in från poolsidan och skruvas fast.

Filtersystemet är nu klart att användas.

### Justering och fastspänning

Lossa på hållaren och sätt skimmerfiltret så långt ner att flottören ligger i nivå med vattenytan. Lägg märke till att flottören bör sitta ca halvvägs på hållararmen. Spänn fast hållaren igen.





## Så fungerar filtret

Filtret använder en 12 V ytpump med lågspänning för att cirkulera vattnet genom en filterpatron. Det ska hela tiden vara vatten i pumpen när den körs. Pumpen har en överbelastningskontakt för att undgå skador vid överhettning. Denna kontakt slås automatiskt på igen när motorn kyls av. Filterpatronen filtrerar vattnet från smuts, alger, olja m.m. Filtret ska rensas genom att det sköljs under vattenkranen.

## Start av pumpen

1. Poolen ska vara fylld med vatten upp över filterkanten. Därmed flyter vattnet in i filtret och är klar för användning. Försök ALDRIG starta pumpen om det inte är tillräckligt med vatten i poolen!
2. Filtret fångar upp hår, insekter, blad och annat större skräp i vattnet. Håll alltid filtret rent från smuts, för att inte överbelasta pumpen.
3. Anslut pumpen till en stickkontakt.

## Filtret igång

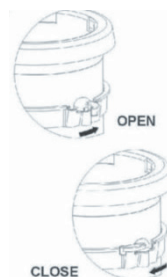
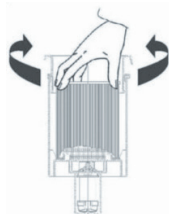
Filtret körs nu i normalt filterläge. Se till att filtrera poolens vatten tills det är klart och rent.

Filtret ska köra minst 2 x 4 gånger dagligen, så att vattnet blir filtrerat två gånger per dygn. Mellan varje gång ska pumpen helst vila några timmar. Anslut eventuellt en timer. Vid perioder med varmt väder och hög badaktivitet ska filtreringstiden ökas, då vattnets behov av rengöringsmedel också ökar.

När filtret är rent har pumpen maximal effekt. Om filtret däremot är fyllt med uppsamlat smuts, kan inte vattnet cirkulera ordentligt. Kom ihåg att undersöka filtret så snart genomströmningen är bristfällig eller när pumpen har kört i 5 timmar, beroende på vad som inträffar först. Om filtret ser smutsigt ut ska det alltid rensas!

## Rensning af filteret

1. Stäng av strömkällan.
2. Ta upp filtret.
3. Skölj filtret med en trädgårdsslang eller under vattenkranen. Filtret kan också rengöras i diskmaskinen. Skölj både in- och utsidan. Ytterligare rensning kan göras genom att filtret sköljs i varmt diskvatten. Om det finns små kalkbeläggningar i filtrets lameller rensar det inte längre effektivt, och ska därför ersättas med ett nytt filter. Om filtret är fyllt med alger och smuts, använd då en extra kraftig vattenstråle till rensningen. Låt aldrig filtret torka ut, då det både försvårar rengöringen och förstör filtret. Ha alltid ett reservfilter klart för användning.
4. Sätt tillbaka filtret i skimmern. Skruva försiktigt fast det och stäng filtret.
5. Sätt på strömkällan och fortsätt filtreringen.



## DU SKA HÅLLA FILTRET RENT KONTINUERLIGT FÖR ATT BEHÅLLA DEN KORREKTA VATTENGENOMSTRÖMNINGEN I POOLEN!

Använd enbart det filter som passar till denna pool. Köp det hos din lokala poolåterförsäljare. Filtret ska vara täckt av vatten hela tiden, annars finns det risk för skador på pumpen.

Tillsätt aldrig kemikalier direkt ner i skimmern. Dessa upplöses istället i en spann med vatten som sedan fördelas längs poolkanten. Alternativt används en barnsäker dispenser med flytande klor.

Se mer om vattenskötsel och pooltillbehör hos din lokala poolåterförsäljare, eller klicka in dig på [www.swim-fun.com](http://www.swim-fun.com)

### Tekniska data

- Filtreringshastighet 2,98 m<sup>3</sup>/h
- Flödeshastighet 2 m<sup>3</sup>/h
- Motor 72 W
- Volt 12 V
- Transformator 230/12 V
- IP-klass I IPX8

### Elektriska komponenter

Filtersystemet är av lågspänningstyp och säkrat mot intrång av vatten. Om ledningen eller andra komponenter blir skadade, ska hela filterpumpen bytas ut så att systemet blir säkert att använda.

### Avmontering av skimmerfiltret

Om en skada har uppkommit på filtersystemet går du tillväga på följande sätt:

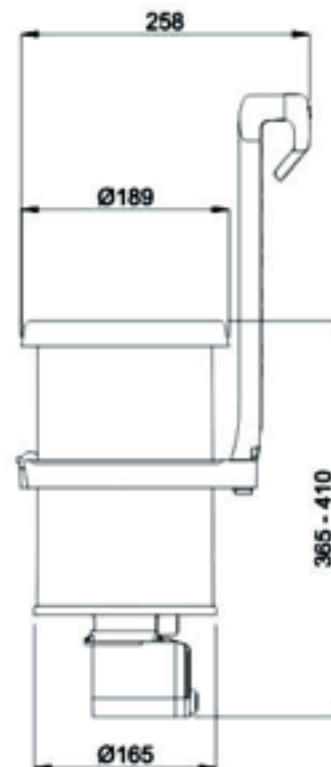
- Koppla bort filtersystemet från strömkällan
- Montera bort filtersystemet från poolen
- Montera bort filterpumpen från systemet

### Vinterförvaring

Filtersystemet ska nedmonteras och förvaras frostfritt på vintern. Likaså ska filtersystemet nedmonteras när det inte ska användas under en längre period. I samband med nedmonteringen rensas filtret innan det torkar. Efter vinterförvaringen placeras systemet åter poolen, enligt beskrivningen för den första användningen.

### Säkerhetsbestämmelser

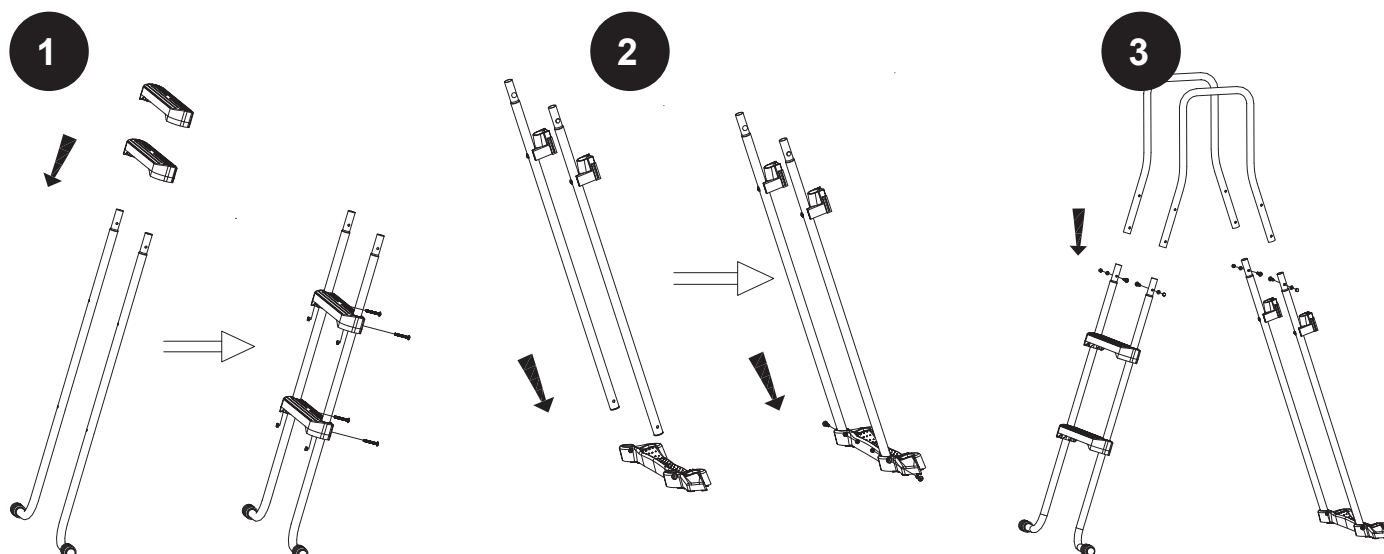
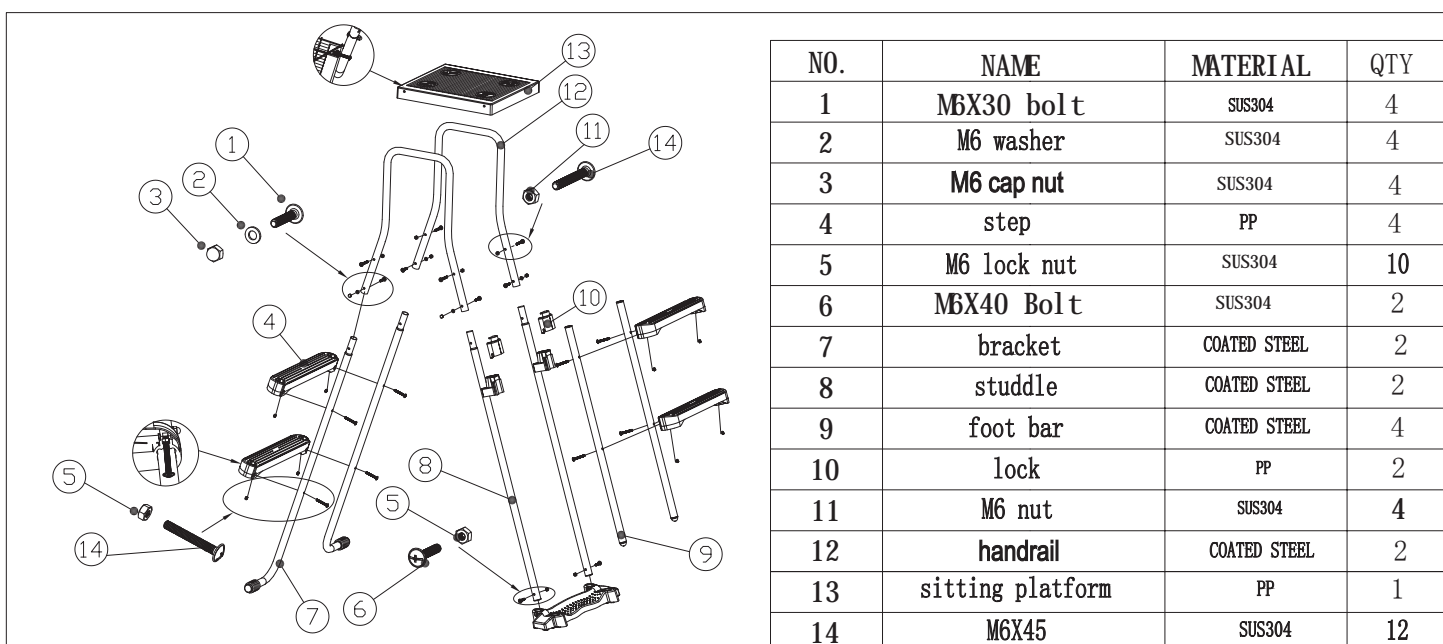
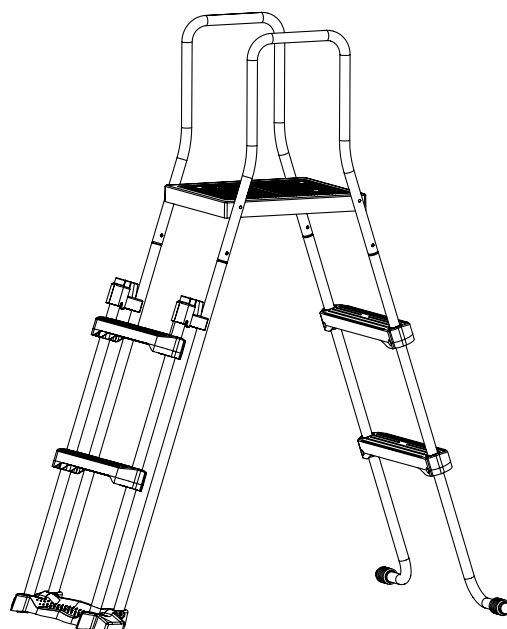
- Det ska vara ett minimalt avstånd på 3,5 meter mellan transformator och pool.
- Elektriska installationer ska utföras av en behörig elektriker.
- Filtersystemet ska vara avstängt när poolen används.
- Filtersystemet får ALDRIG köras utan vatten.
- Rör inte vid systemet med våta händer medan det är igång.
- Om filtret ska hanteras för hand ska det alltid kopplas från strömkällan först.
- Om filtret ska hanteras för hand ska det alltid göras på ett torrt underlag.
- Förvara aldrig filtret på en fuktig plats, då det kan medföra elektrisk stöt.
- Barn och vuxna får aldrig sitta på/luta sig mot filtret.
- Om ledningen skadas ska hela anläggningen bytas ut.
- Eventuella frågor ställs till poolåterförsäljaren eller till [info@swim-fun.com](mailto:info@swim-fun.com)

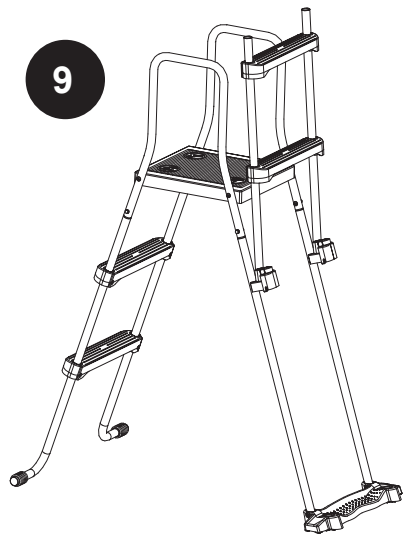
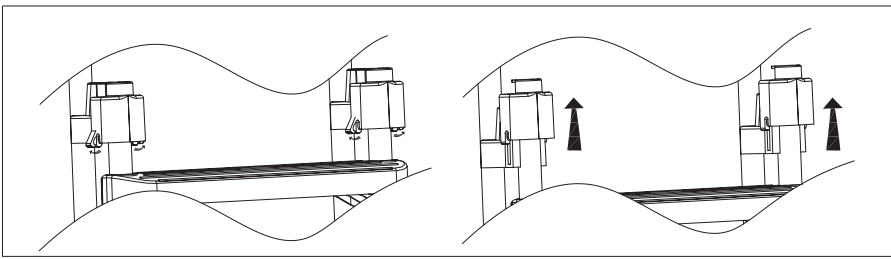
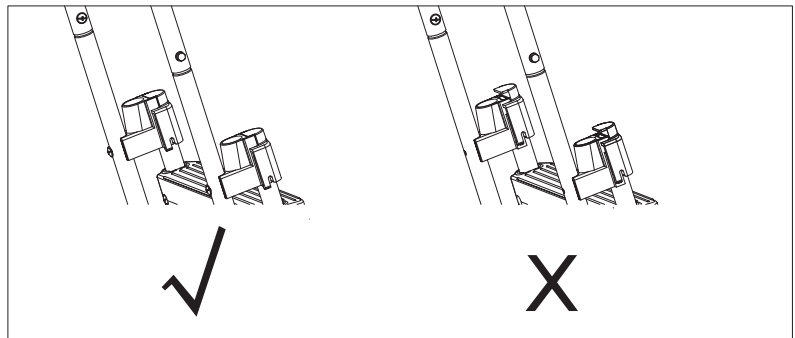
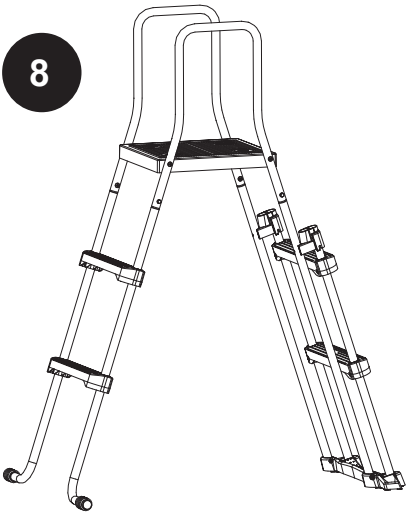
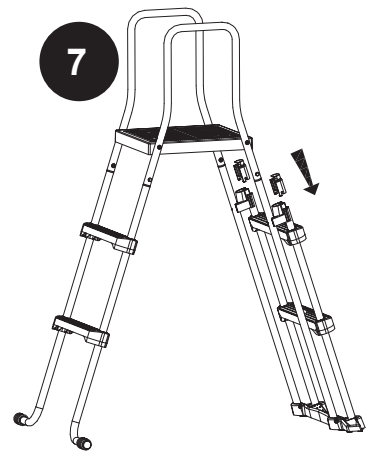
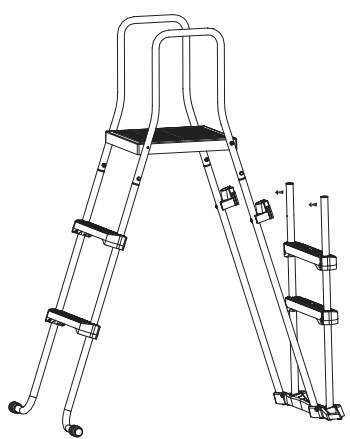
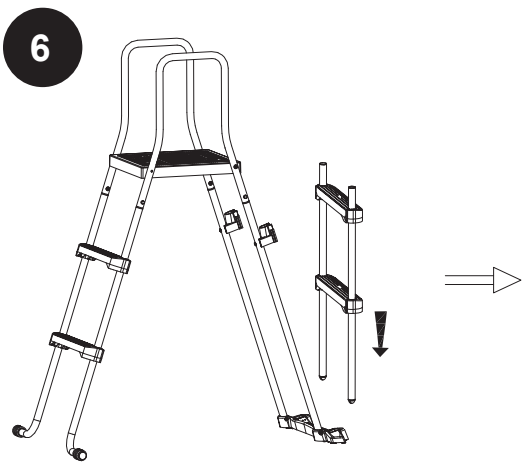
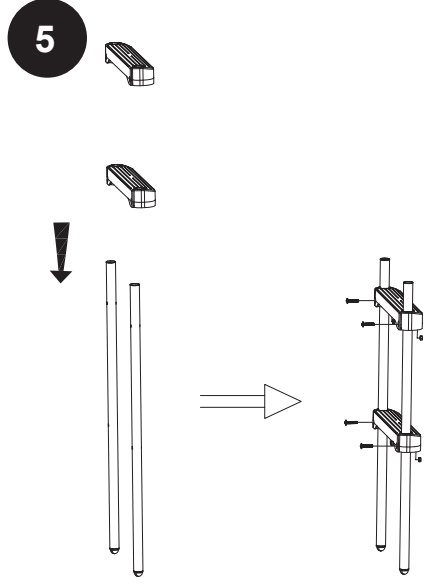
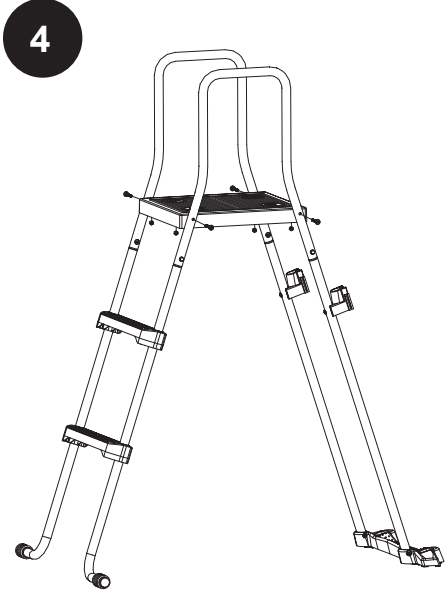


## VII. Stege

Det medföljer en stege till denna pool.

Maxbelastning på stegen är 85 kg.





## VIII. Uppgradering med externt sandfiltersystem

*(extra tillbehör – ingår inte till poolen)*

See  
lista med  
nödvändigt  
tillbehör på  
sida 3

### Returmunstycke och fastmonterad skimmer

Kreta-trädgårdspoolen är förberedd på så sätt att den lätt kan "uppgraderas" i efterhand till användning med ett externt sandfiltersystem. Ett sandfiltersystem med en reningseffekt på minst 4 m<sup>3</sup>/h under användning ger renare och klarare vatten, minimerar kemikaliebehovet samt möjliggör både användning av solfångare och effektiv dammsugning av poolbotten.

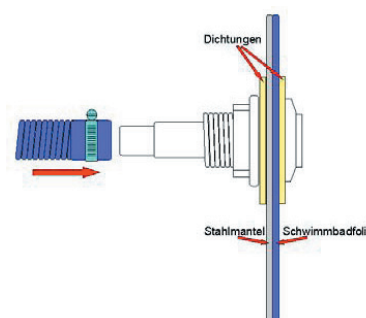
Skär/klipp försiktigt bort den runda utstansningen (returutlopp) från poolväggen och den fyrkantiga utstansningen till skimmern. Detta kan inte göras med en liner på insidan av poolen, så denna ska först försiktigt lossas från toppskenan i området. Alternativt byts den ut mot en ny liner. Vid nyuppsättning ska hålen i poolväggen göras innan linern monteras i poolen.

### Returloppet

Fyll poolen med vatten upp till 5 cm under den runda utstansningen till returloppet.

Skär därefter ett kryss i linern med en vass hobbykniv, utan att skära längre ut än hålets utstansning.

Montera nu returmunstycket med 1 st. packning från poolsidan och ut. De uppstående trekanterna av överskottsliner ska skäras av rakt och exakt utvändigt längs munstycket. Montera sedan på den andra packningen från poolens utsida och skruva fast den stora cirkuleraren utanpå packningen. Använd teflontejp i gängan. Returmunstycket ska sitta fast ordentligt, men cirkuleraren får inte spännas för mycket (dra åt försiktigt).



Om returmunstycket levereras med en lös koppling för montering av filterslangen, så ska även där teflontejp användas i gängan när delarna sätts ihop. När returmunstycket är korrekt monterat kan skimmern monteras.

### Skimmern

Ta av den fyrkantiga flödesplattan från skimmern. Lägg märke till att skimmern kan levereras med antingen två st. enkel-packningar eller en st. sandwichpackning.

### Montering med två skimmerpackningar

Ta skimmersatsens fyrkantiga innerram (hårdplast) och en av packningarna.

Sätt en skruv i vart och ett av de översta hålen.

Placera skimmerramen på poolens insida och tryck skruvarna inifrån och ut genom de två respektive utstansade hålen i poolväggen. Därmed genomträngs också linern. Försäkra dig på förhand om att skimmerram och packning är vända åt rätt håll, så att alla hål är i jämnhöjd med varandra. På den andra sidan av poolväggen monteras den andra packningen, och därefter ska skruven fästas in i skimmerhusets respektive skruvhål.

På samma sätt monteras de övriga skruvarna inifrån poolsidan och ut genom packningarna och in i skimmerhuset. Alla skruvhål är alltså i jämnhöjd genom poolväggen vid korrekt montering.

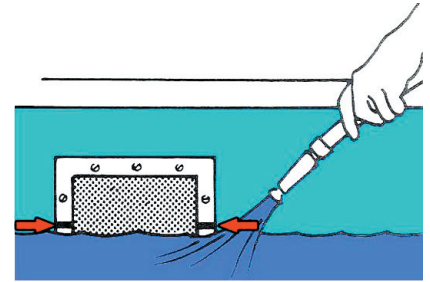
Håll ett öga på att skimmerpackningarna sitter enhetligt monterade längs utskärningen på båda sidor.

Dra åt skruvarna parvis diagonalt och jämnt för att säkra tätheten. Du får bara använda en manuell skruvdragare, och var noga med att inte skruva över gängan (använd inte elektrisk maskin!).

Ta bort linern längs kanten inne i skimmeröppningen med en vass kniv. Skruva därefter försiktigt åt skruvarna igen.

### **Montering med sandwichpackning**

Fyll poolen upp till ca 5 cm under skimmerutskärningen. Skär försiktigt ut ett motsvarande hål i linern från utskärningen i poolväggen. Montera packningen i väggens skimmerutskärning så att den sitter runt både liner och poolvägg. Håll ett öga på att den är i jämnhöjd med skruvhålen på alla fyra sidor. Sätt nu med skruvar inifrån fast skimmerns innerram med själva skimmerhöljet.



## **IX. Nergrävning av swimmingpool**

Våra stålväggspooler är i grunden konstruerade för användning som fristående pooler i trädgården. Det bör därför noteras att produktgarantin inte täcker skador orsakade av felaktig installation eller om poolen används nergrävd i marken. Vill du gräva ner din pool, så det rekommenderas att kontakta en expert på området och låt denna göra jobbet. Om du själv vill gräva ner poolen, är det viktigt att följande regler följs:

### **Placering:**

Kontrollera gärna med byggnadsnämnden i din kommun, om det krävs tillstånd för att placera en pool på önskad plats. Det rekommenderas också att du kontaktar ditt försäkringsbolag innan du bygger och gräver ner din pool. Det är du som pool ägare, som är skyldig att meddela ditt försäkringsbolag, att du har en pool i din tomt.

### **Förberedelse:**

Markera området där poolen skall stå. För runda pooler gäller det att markeringen skall vara 1 meter större i diameter än själva poolen. För ovala pooler skall markering vara 1 meter längre än poolens längd och 2 meter bredare än poolens bredd.

### **Underlag:**

Underlaget som poolen skall stå på, måste vara absolut helt jämnt och 100 % hårt och fast. Installera aldrig en pool på ett mjukt eller elastiskt underlag, som kan göra att poolen sjunker ner senare under tyngden av vattnet. Kom ihåg att 1000L => 1m<sup>3</sup> => 1000 kg! Det får INTE finnas fördjupningar, stenar, växter eller rötter i marken, som kan perforerar linern.

Vi rekommenderar att man gjuter ett 15 cm lager av nätförstärkt betong. Detta underlag skall vara slät och 100 % vågrät.

För att skydda linern, så skall man alltid placera en bottenduk ovanpå underlaget. Man kan också lägga ett extra lager av 50 mm isolerande hårda Frigolit plattor i botten.

Välj en solig plats för poolen som också är nära vatten, avlopp och el.

Placera inte poolen över elektriska kablar, gaskablar eller i områden med högt grundvatten.

Placera inte poolen under elektriska luftledning.

Välj en plats i lä och där det inte finns träd i omedelbar närhet, så du slipper löv och annat i poolen.

Placera skimmern så den normala vindriktningen blåser mot poolens skimmer. Kom ihåg att poolens filter och pump skall installeras, så det står i samma nivå som poolbotten.



## Utgrävning:

Kom ihåg att ta placeringen av skimmer, returlopp och stega med i din planering. Utgrävningen bör vara ca. 15 cm djupare än poolens höjd. Är poolen 120 cm i höjden så skal djupet vara 135 cm.

## Installation

### Alternativ 1: Inbyggnad i pool-däck i trä

När underlaget är färdigt ställs poolen upp på samma sätt, som om det var fritt på marken. Det rekommenderas att poolen står helt fritt nere i det utgrävda, utan att ha kontakt med andra konstruktioner. Därför skall man slänta av jorden ut från bottenplattan och lutande utåt så att ingen jord och grus kan komma rassa ner till poolen väggen, vid t.ex. häftiga regn. Poolen kommer därefter att stå i en "tratt format" hål med en horisontell bottenplatta. Man kan välja att säkra de skråa sidorna i hålet på olika sätt. Till exempel med murning eller något annat. Det spelar inte någon större roll på vilket sätt, bara poolen alltid står fritt i hålet. Fråga eventuellt någon sakkunnig om hur det görs bäst på din byggplats.

Det rekommenderas att slutföra denna "nedgrävning" genom att bygga en pool däck i trä mot poolen. Pool däckets stöttas närmast poolen av plintar i en ring runt om. Dessa plintrar placeras ca 20-30 cm från poolen kanten. På detta viset får man en nergrävd pool i markplan, samt ett omgivande pooldäck, som är behaglig att röra och sola sig på.

### Alternativ 2: Inbyggnad utan pool-däck i trä

Alternativ väljer många att gräva ner poolen på mera traditionellt sätt. Poolen måste i så fall ställas upp, som tidigare nämnt på bottenplattan. Filter och pump placeras i en nergrävd separat schakt, med tillräckligt utrymme under pågående hantering efterföljande är problemfritt Kom ihåg att ta placeringen av skimmer, returlopp och stega med i dina beräkningar.

## Installation:

Följ instruktionerna i manualen så poolen ställs upp på samma sätt, som om den skulle stå fritt på marken. Poolen ansluts till filtersystemet med hårda PVC-rör eller armerad poolslang.

Fyll vatten i poolen. När din pool ska fyllas med vatten, gör det med en vattenslang, så linern/bottenduken får tid till att släta sig helt ut. Observera - du får aldrig fylla din pool med vatten direkt från en brandbil/vattenbil, eftersom påfyllningen går för fort och kan skada poolen.

Täck poolen med flera lager av 20 mm isolering (frigolit) runt poolen väggen. Isoleringen fastgörs med tejp. Beläggningen måste isolera hela poolväggen mot direkt kontakt med sand, betong eller annat material.

Utrymmet mellan jordkanten och poolväggen fylls med torr betong som består av en blandning av 1/5 av cement och 4/5 fint grus. Kom ihåg att poolen måste alltid först fyllas med vatten. Detta arbete måste ske i etapper, så fyll på ca.30 cm åt gången hela vägen runt poolen varje gång. Låt bli att stampa materialet i onödan, eftersom det kan trycka pool väggen och orsaka bucklor.

Observera att om du väljer att gräva ner ovala pooler på detta sätt, så är det alltid nödvändigt att etablera en stödmur på vardera långsidan av poolen, för att ta trycket ev. utifrån kommande tryck från marken.

## Underhåll av pool:

Du måste med jämna mellanrum kontrollera att din pool är i perfekt skick. Linern ska vara ren, slangar måste vara korrekt anslutna, stegen måste vara korrekt uppsatt och filtret ska fungera optimalt.

Kom ihåg att kontrollera vattnets pH- och klor värde är korrekt och justera så vattnet hålls friskt och desinficeras.

## X. Vinterförvaring

När sommar och badsäsongen är slut skall du följa nedanstående instruktioner och göra poolen klar för vintern.

### **Viktigt:**

Töm inte allt vatten ur poolen. En tom pool kan kollapsa under vintern. Följ alla råd omkring vinterklargöring. Din pool kan bli förstörd och garantin bortfaller helt om du inte har följt alla instruktionerna.

### **1. Sänk vattenståndet i din pool**

- a. Sänk vattennivån i poolen till ca. 15 cm under returloppet. Den får inte tömmas helt. Montera ev. en propp (art.nr. 1519) i returloppet.
- b. Ta bort alla slangar som kopplade till skimmeren och pumpen. Se till att det inte finns vatten i skimmeren och att det är fri passage, så vattnet kan rinna ut.

### **2. Kontrollera alla samlingar och skruvar**

- a. Se till att alla ramsamlingar sitter korrekt. Kontrollera att poolväggen inte har förskjutit sig från bottenknanan.
- b. Se till att alla skruvar och bultar är ordentligt fastskruvade.

### **3. Se till att poolen inte rostar**

Stryk antirostmedel på alla rostiga delar.

### **4. Kontrollera poolens duk/liner**

Se till att linertoppen är ordentligt fastgjord på poolväggen med plastlisten. Du får inte ta bort linern. Borttagning av duken medför att garantin inte gäller.

### **5. Kontrollera småskador och hål**

Kontrollera så det inte finns hål i duken. Reparera ev. med reparations set. Även små hål kan förorsaka stora skador.

### **6. Pool tillbehör**

Ta bort allt tillbehör - också stegen, men låt skimmeren sitta kvar. Var säker på att skimmeren är stängd och att öppningen i botten är öppen så vattnet kan rinna ut.

### **7. Rengöring**

Tillsätt ett övervintringsmedel i vattnet efter avslutad rengöring och klor chock. Det motverkar alger och kalk i poolen.

### **8. Filtret.**

Ta bort poolslangarna från filtret. Töm sandfiltret helt från vatten och sand, och ställ det frostfritt under vintern.

### **9. Minimera risken för skador p.g.a. kraftig is.**

För att undgå friktionsskador på linern, p.g.a. is, bör man placera flexibla "isbrytare" på vattenytan. Sådana

skador är inte omfattande av garantin. "Isbrytare" kan t.ex. vara tomma plastdunkar eller plastflaskor, som fylls med småsten el. likn. så de hänger i vattenytan. Använd inte vatten eller frysbara vätskor.

## 10. Skydda poolen med ett vinter-cover

Poolen bör täckas över med en mörk cover, så att alger och bakterier inte kan gro över vintern.

**Fördjupande information om filtrering, vattenskötsel, vinterförvaring och tillbehör m.m. finns hos din poolåterförsäljare eller alternativt på [www.swim-fun.com](http://www.swim-fun.com)**

## XI. Garanti

Garantin gäller i 12 månader (+ 12 månaders reklamationsrätt). Garantiperioden gäller från datumet på ditt inköpskvitto. Kvittot skal visas framvisas vid service förfrågningar i garantiperioden. Det är därför viktigt, att du gömmer ditt kvitto.

Garantin gäller inte vid vanligt slitage, rispor och kosmetiska skador. Mera specifikt gäller garantin inte för skador, som är framkomna på grund av:

- Felanvändning eller handtering.
- Vårdslöshet och tappade saker.
- Reparationer, ändringar eller liknande utfört av andra än Swim & Funs servicecenter.

Ved reklamation, kontakta din återförsäljare. Ved inleverans av defekt produkt, skall produkten vara emballerat således, att den är skyddad mot transportskada. Det är ditt ansvar, att produkten kommer säkert fram. Du skal upplysa namn, adress, telefonnummer och e-mail, där produkten måste returneras till dig! Kom alltid ihåg att upplysa, vad som är felet med din produkt.

För flera upplysningar och tips, se vår hemsida: [www.swim-fun.com](http://www.swim-fun.com)

Denna manual är skyddad av upphovsrättslagen

### **Swim & Fun Scandinavia – hotline:**

Danmark +45 7022 6856

Sverige +46 771 188819

## XII. Tillbehör

### Rekommenderad basutrustning till poolen:



#### Bottenduk

Får aldrig glömmas! Innan poolen sätts upp, bör man lägga ut en bottenduk under poolen. Den skyddar linern mot mekanisk nötning och mot inträngande underifrån av små stenar eller rötter. Bottenduken gör också poolens botten behaglig att gå på.

Artikel: 1566 Bottenduk Ø3,50M  
Artikel: 1620 Bottenduk Ø4,60M



#### Sommercover

En sommarcover isolerar poolen, så man slipper få stora värmeförluster, när luften kyls ned på natten. Således hålls temperaturen uppe i poolen och kan förlänga badsäsongen. Samtidigt skyddar en sommarcover från luftburen smuts och löv i poolen. Har du en solvärmare kopplad till poolen, så är sommarcover ett absolut måste. Placeras i vattenytan med luftbubblorna nedåt.

Artikel: 1564 Sommercover Ø3,50M  
Artikel: 4925 Sommercover Ø4,60M



#### Vintercover

En vintercover skall användas på hösten, när man inte njuter av poolen. Samtidigt skyddar en vintercover mot luftburen smuts och löv i poolen. Covern sätts fast runt poolen med medföljande säkerhetswire med lås.

Poolen är samtidigt skyddad mot oönskad tillgång, - dock utan att det är en säkerhetscover. Vintercoveren kan också användas, om man inte använder poolen under långa perioder på andra tider av året.

Artikel 1581 Vintercover Ø3,50M  
Artikel 1607 Vintercover Ø4,60M



#### Teleskåpstång

3-delad 1,20 – 3,60M

Artikel: 1515



#### Bottensughuvud

För rensning av poolens botten. Kan tillkopplas en standard vattenslang. Rekommenderas till pools utan sandfiltersystem. Passar r till teleskåpstång (1515).

Artikel: 1514



#### YtvattenhåV

Används till att ta bort blad och smuts på vattenytan. Passar till teleskåpstång

Artikel: 1506



#### BottenhåV

Används vid rengöring av poolbotten. Passar till teleskåpstång (1515).

Artikel: 1507



#### Borste

Extra stor och mjuk poolborste. Används vid rengöring av linern. Passar till teleskåpstång (1515).

Artikel: 1504



#### Kemikaliedispenser

Används vid dosering av långsamt lösliga poolklor tabletter (20Gr.)

#### Speciell barnsäker modell!

Artikel: 1567



#### Termometer

Visar badvattnets temperatur.

Artikel: 1527

### Önskar du uppgradera din KRETA pool med ett externt sandfilter, skall du använda följande tillbehör:



#### Skimmer

Skimmern byggs in i poolväggen (poolväggen är förberedd). Skimmern levereras komplett inkl. breddavlopp.

Artikel: 1533



### Filterpåse till skimmer

Effektiva små filterpåsar, som lätt placeras i poolens skimmer. Här uppfångas fysiska orenheter innan de når filtret. Filterpåsen reducerar också förbruk av kemikalier och vatten, då sandfilteret inte behöver eftersköljas från orenheter.

Artikel 1549 (5 st./påse)



### Poolslang

Flexibel poolslang till fristående pooler levereras i diam. 32 mm eller med 38 mm. Båda storlekarna kan användas till SWIM & FUNs skimmer och sandfilter-system.

Artikel: 1582 Ø32 mm Poolslang, 6,6 meter (i delbara sektioner av 1,20m)

Artikel: 1542 Ø38 mm poolslang, 9,0 meter (i delbara sektioner av 1,50m)



### Sandfiltersystem

Sandfiltersystem 1044 har en rengörande effekt på 4500 L/T. Ett sandfilter rengör effektivt vattnet och pumpen kan också användas t.ex. vid sugning av poolbotten eller vid cirkulation av vatten genom solvärmare. Sandfiltret är självrensande och sanden ska därför inte bytas ut under badsäsongen.

Artikel 1044



### Filterballs

Till sandfilteranlägg i stället för sand. 700g = 25 kg.

Artikel 1069



### Filtersand

Specialsand till sandfiler (kornstorlek 0,4 – 0,8 mm).

Artikel 1536: Pose af 25 kg.



### Bottensughuvud

Vigtladdat bottensughuvud med sidoborstar. Rekommenderas vid bruk av sandfilter.

Artikel 1513

## Vinterprodukter

Tillbehör som skyddar poolen mot ev. frostsador:



### Skimmer vinterskydd

Skimmer beskytteren monteras i poolens skimmer under vintern. Den absorberar ett extra tryck från ev. isbildning i skimmern.

Artikel: 1612



### Pool isbrytare

Pool isbrytare placeras tvärs över poolen. De flyter på vattenytan och absorberar ett ev. extratryck vid isbildning och reducerar möjligheten för frostsador på poolens liner.

Artikel: 1613



### Vinterpropp till breddavlopp

Propp med gänga, så du lätt kan stänga för breddavloppet, när du ska montera av slangarna.

Artikel: 1519



### Stängventil till skimmer

Använd 2 st. en till skimmern och en till montering vid returloppet.

Artikel: 1555

## Vattenvård

Dessa grundläggande vatten hygienprodukter bör du använda till din pool.



### pH Minus

För pH justering av vattnet, om pH värdet är under idealet 7,0-7,4

Artikel: 1714 -1,5 kg.

---



### pH Plus

För pH justering av vattnet, om pH värdet är över idealet 7,0-7,4

Artikel: 1712 -1,5 kg.

---



### Klor Starter

Snabbt och effektiv grunddesinfektion av vattnet, när poolen fylls upp.

Artikel: 1701 -1 kg.

---



### Klor Weektab

Långsamt upplösliga klortabletter, som håller vattnet rent under sommaren.

Artikel: 1737 -1 kg.

---



### Combi tabs

Combitabs 20gr. Klorfri 3 i 1 tablet. Den ultimativa hygien produkten för klorfritt vatten.

Artikel: 1758

---



### Pool Test Strips

Teststrips för enkel mätning av vattnets pH/klorvärde.

Artikel: 1737 – 50 stk.

---



### Klar Pool

Förebygger att det bildas beläggningar på poolens insida.

Artikel: 1716 -1 l.

---



### Easy Pool

Easy Pool kan användas som et lätt och enkelt alternativ till Långsamklor och Klar Pool .

Engångsprodukt - hålla i 1-2 månaders användning.

Artikel: 1775 – mini

Artikel: 1776 - maxi

---



## SF Table of Contents:

Tärkeää tietoa – osaluettelo .....	76
I. Tarvittavat työkalut .....	77
II. Löydä oikea paikka allas .....	77
III. Tarkista poolin osat .....	78
IV. Valmistellaan maa .....	78
V. Asettaminen allas .....	79
VI. Asennus reikäkauhalla suodatin .....	81
VII. Tikkaat .....	84
VIII. Return suutin ja reikäkauhalla (valinnainen) ..	86
IX. Hautaaminen allas .....	87
X. Talvi valmistus .....	89
XI. Warranty .....	90
XII. Lisätarvikkeet .....	91

**ÄLÄ**  
asenna allasta  
tuulisella ilmalla  
tai tuuliseen  
paikkaan!

### Tärkeää

Lue koko käyttöopas ja turvallisuusohjeet huolellisesti läpi ennen kuin ryhdyt asentamaan allasta! Varmista myös, että pakkauksessa on kaikki tarvittavat osat. Käytä tarkistuslistaa!

## Osaluettelo

1. Ala- ja yläprofiilit (samanlaiset), 2 x 14 kpl (Ø4,60 = 2x 17 kpl). Pituus täytyy säätää- kaso käsikirja.
2. Pienet ala- ja yläprofiilien asennusputket, 56 kpl (Ø4,60 = 68 kpl)
3. Suojaliuska peittämään altaan sisäpuolta, 1 kpl
4. Altaan verhouk 0,3 mm, 1 kpl
5. 20 kpl ruuveja M6x11, ruostumatonta terästä
6. 20 kpl M6-muttereita, ruostumatonta terästä
7. 20 kpl M6-aluslevyjä, ruostumatonta terästä
8. 20 kpl muttereiden muovikupuja
9. Altaan seinämä, 0,3 mm terästä, 1 kpl
10. Osat turvallisuuden lisääntyminen, katso sivu 84.

**ÄLÄ asenna allasta tuulisella ilmalla tai tuuliseen paikkaan!**

Huomio: KRETA family swimming pool is produced for above ground use. Jos uima-allas on tarkoitettu käytettäväksi in-kentällä, katso yleisiä neuvoja [www.swim-fun.com](http://www.swim-fun.com) Tuote takuu ei ole voimassa, jos allas ei käytetä maanpäällisiin.

## Turvallisuusohjeet

- Älä anna kenenkään käyttää uima-allasta ilman aikuisen valvontaa.
- Älä sukella tai hyppää veteen altaan reunalta. Älä istu tai kiipeä altaan seinämälle. Altaan seinämän yläosa ei kestä sellaista painoa.
- Noudata AINA asennus- ja turvallisuusohjeita.
- Varmista, että olet asentanut uima-altaan ja suodattimen käyttöoppaassa esitetyllä tavalla.
- Älä salli mellastusta altaassa tai sen ympärillä.
- Älä tee altaan rakenteeseen mitään muutoksia tai irrota siitä mitään osia. Noudata aina käyttöoppaan ohjeita.
- Aseta tikkaat tasaiselle alustalle ja varmista, että ne ovat aina suorassa. Tikkaat kannattavat vain yhden ihmisen kerrallaan ja korkeintaan 85 kg.
- Katso aina tikkaisiin päin, kun kiipeät altaaseen tai sieltä pois.
- Älä käytä tikkaita muuhun kuin altaaseen tai sieltä pois kiipeämiseen. Fjern stigen når bassenget ikke er i bruk.
- Tarkasta säännöllisesti, että kaikki altaan ja tikkaiden osat ovat ehjiä ja hyvässä käyttökunnossa. Vaihda kuluneet osat tarvittaessa. Kiristä ruuvit, mutterit ja pultit.

**Estä hukkumisonnettomuudet! Lapsia on aina pidettävä silmällä.**

**Altaan reunoja ei ole suunniteltu käytettäväksi hyppy- tai sukellustasoina!**

## I. Tarvittavat työkalut

Pidä kaikki altaan asennukseen tarvittavat työkalut ja materiaalit käden ulottuvilla: lapion, kuokan, haravan, altaan sädetettä pidemmän lankun, altaan pohjan kannen sekä hienoa soraa.

Tarvitset myös nuoran, leveää teippiä, 8 ja 10 mm:n kiintoavaimet, pyykkipoikia, mattoveitsen, pihdit, vesivaa'an, tasakantaisen ja Phillips-ruuvinvääntimen, kaksi merkintätappia ja spraymaaliala tai muuta kalkkihiekkää tai kalkkijauhetta merkitsemistä varten.

Suosittellemme asentamaan toimituksen mukana tulleet tikkaat ennen altaan pystytystä. Aloita asentamalla tikkaiden askelmat ennen tikkaiden kummankin puolen lopullista asennusta - katso sivulta 39.

## II. Altaan paikan valinta

Altaan asennuspaikan valinnalla on suuri vaikutus, kuinka tyytyväinen olet altaaseen jatkossa. On ehdottoman tärkeää, että valitset vakaan ja täysin tasaisen paikan, jolle asennat altaan. Altaan on oltava TÄYSIN vaakasuorassa!

Älä valitse puiden lähellä olevaa paikkaa, sillä altaaseen putoavat lehdet aiheuttavat ongelmia.

Varmista, että valitsemasi paikka on sähkön- ja vedensyötön läheisyydessä.

Suosittellemme, ettet asenna allasta paikkaan, johon lapsilla on helppo pääsy.

### III. Altaan osien tarkastus

Tarkista ennen altaan asennusta, että sinulla on oikea määrä osia. Katso erillisestä tarkistuslistasta käyttöoppaan etupuolelta.

### IV. Maaperän valmistelu

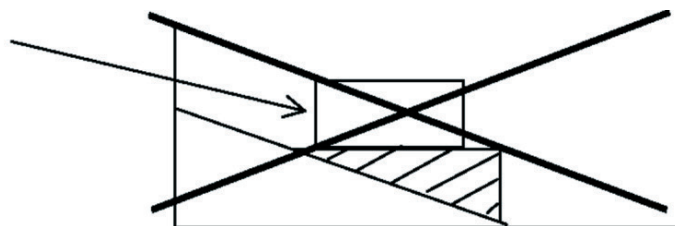
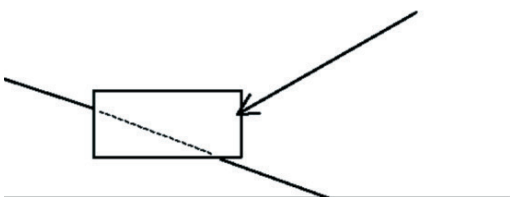
Kun altaan paikka on valittu, aseta merkintätappi alueen keskelle. Sido tappiin naru. Narun tulee olla yhtä pitkä kuin altaan säde plus suositellut 25 cm (yhteensä 2,0 m). Altaan ympärysmitta näkyy maassa, kun pidät narusta kiinni ja kävelet kerran keskellä olevan merkintätapin ympäri ja merkkäat ympärysmitan maahan esim. spraymaalilla tai hiekan avulla.

#### **Tärkeää:**

**Altaan pohjan tulee olla vankka ja sataprosenttisesti vaakasuorassa!**

#### **Varoitus!**

Älä täytä kuoppaisia kohtia maa-aineksella, sillä sen seurauksena perustasta tulee pehmeä ja epävaka, kun allas täytetään vedellä, jolloin perustaan kohdistuu 8 tonnin alaspäinpainne!



Kaiva korkeammalla olevat maaperän kohdat tasaan, niin että perusta on aivan luja ja tasainen. Jos asennat altaan nurmikolle, poista pehmeä ruohopinta.

Tarkista perustan tasaisuus kahden metrin pituiselle lankulle teipatun vesivaa'an avulla. Tarkista useista eri kohdista, että perusta on tasainen.

Puhdista perusta huolellisesti ja poista nurmiturpeet, pienet kivet, risut, oksat ja juuret allasalueelta.

Suosittellemme asettamaan altaan alle allasalustan, joka minimoi verhouksen mekaanista kulumista sekä estää kivien ja juurien aiheuttamat lävistyksset. Altaan pohjalla on myös mukavampi kävellä. Allasalusta koostuu yleensä useista kappaleista, jotka limittyvät 2 cm toistensa päälle kaistojen välillä. Lopuksi kaikki ylimääräinen materiaali poistetaan.

## V. Altaan asennus

### 1. Pohjakiskot

Profiilit kootaan pyöreäksi pohjakehykseksi (käytä profiileista 14)

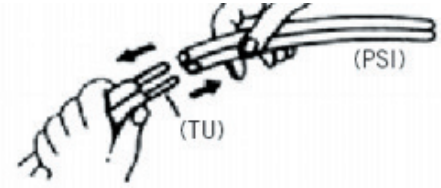


Fig. 1

Tarkasta, että ympyrä on pyöreä ja oikein asetettu perustalla käytettyyn merkintätappiin nähden. On hyvin tärkeää varmistua, että altaan verhoukset on oikein paikoillaan (kuva 2).

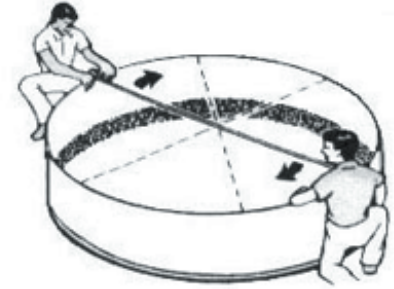


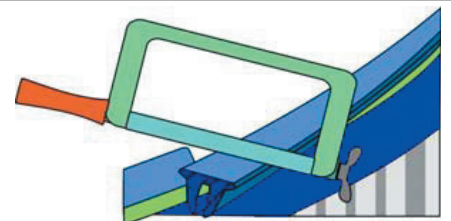
Fig. 2

### 2. Altaan seinämän asennus

Asennukseen tarvitaan vähintään kaksi aikuista, mieluummin enemmän, sillä tässä vaiheessa altaan seinämää voi olla hyvin hankalaa käsitellä. Älä yritä koskaan asentaa allasta tuulisissa olosuhteissa.

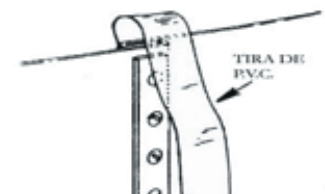
Aseta altaan seinämä pystysuoraan esim. pahvin päälle pohjakehyksen keskelle. Rullaa seinämä auki myötäpäivään ja työnnä se pystysuoraan koko pohjakiskon ympäri. Muista tarkistaa, ettet asenna altaan seinämää ylösalaisin - seinämän reiätetyn osan tulee osoittaa ylöspäin (ei kuvaa). Näitä lävistysreihiä ei saa käyttää, kun mukana tullutta altaan pumppua käytetään. Reiät ovat tärkeitä vain, jos haluat myöhemmin täydentää allasta hiekan suodatusjärjestelmällä ja altaan seinämään sisäänrakennetulla seinäkiskolla.

**Huomaa**, että pohja- ja yläkiskojen pituus täytyy säätää altaan seinämän mukaan. Sen vuoksi pohjakiskosta on sahattava pala pois, jotta altaan seinämä voidaan asentaa. Tee tämä hyvin varovasti. Saha vastaava pala yläkiskosta vasta kun allas on lopullisesti asennettu.



### 3. Altaan seinämän sulkeminen

Altaan seinämän sulkemiseksi ON KÄYTETTÄVÄ kaikki mukana olevat ruuvit ja pultit. Älä jätä yhtään avointa ruuvinreikää. Työnnä ruuvit altaan sisäpuolelta ja kiristä ne ulkopuolelta aluslevyillä ja muttereilla. Aseta muovikuvut altaan seinämän ulkopuolella oleviin muttereihin.



### 4. Verhouksen suojaus

Päällystä ruuvien päät altaan sisäpuolelta mukana tulevalla päällysteellä, joka teipataan seinään verhouksen suojaamiseksi kulumiselta (kuva 3).

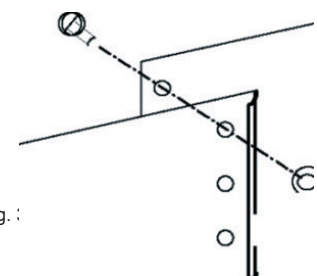
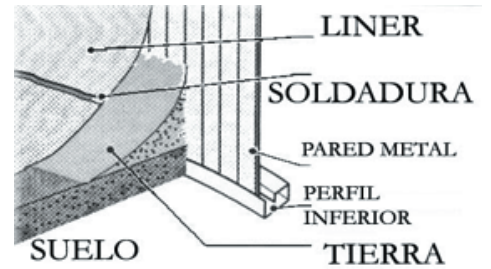


Fig. :

## 5. Työn tarkastusvaihe

Tarkasta vielä kerran, että altaan perusta on täysin tasainen ja että seinämä muodostaa täydellisen ympyrän, jottei verhouksen asentamisessa ilmene myöhemmin vaikeuksia. Voit tarkistaa ympyrän mittaamalla halkaisijan altaan poikki. Kaikki virheet on korjattava välittömästi ennen asentamisen jatkamista.



## 6. Sorakerros uima-altaan sisäpuolella (kuva 4)

Pieni kerros soraa estää verhousta työntymästä ulos altaan seinämän alapuolelta. Levitä kerros soraa maan ja altaan seinämän väliin koko altaan ympäri. Käytä soraa, joka ei sisällä pieniä kiviä. Varmista, että sorakerros on tiivis ja tasainen koko matkalta.

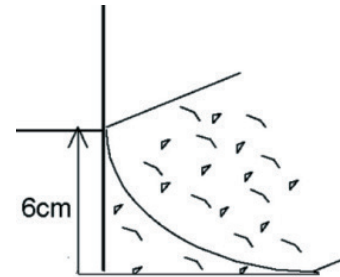


Fig. 4

## 7. Verhouksen asennus

Altaan verhous on tärkein ja herkin osa allasta. Älä koskaan käytä veistä tai muuta terävää välinettä verhouksen pakauksen avaamiseen. Kun asennat allasta, pidä verhous erillään, jotta työkalut tai metallireunat eivät pääse vahingossa vaurioittamaan verhousta.

Asennukseen tarvitaan useampia henkilöitä. Verhous voidaan ottaa esille ja antaa auringon säteiden lämmittää sitä ennen avaamista laskoksista. Materiaalista tulee näin joustavampaa ja sitä on helpompi käsitellä. Verhousta käsiteltäessä ulkolämpötilan tulisi olla 20 ja 25 asteen väliillä. Älä asenna verhousta, jos se on hyvin kylmä tai jos sen lämpötila on yli 25 asteen, sillä lämpötilaerot voivat helposti vääntää joustavan materiaalin kieroon. Tämä voi vaikuttaa asennukseen haitallisesti.

Tarkista, ettei verhouksessa ole reikiä. Levitä verhousta mahdollisimman paljon auki altaan keskeltä lähtien ja koko altaan seinämän ympäri.

### **HUOMIO: Älä käytä kenkiä levittäessäsi verhousta!**

Kiinnitä verhouksen sivujen ylin osa tilapäisesti altaan seinämän reunaan pyykkipojilla.



Tarkasta, että verhouksen alaosan ja sivujen sauma on yhtenäinen tehdyn sorakerroksen pituudelta.

Tarkasta altaasi halkaisija vielä kerran ja aloita altaan täyttö hitaasti ja korkeintaan muutamalla senttimetrillä. Ei enempää! Säädä/vedä verhousta koko altaan ympäri niin, että pohjan ja sivujen rypyt tasoittuvat mahdollisimman hyvin. Tämä tehdään parhaiten siten, että seisot altaan keskellä ja tasoitat verhousta ulospäin sivuja kohti. Huomaa: Tasoittamista ei voi enää korjata, kun altaan täyttöä jatketaan!

Kun altaan pohjan rypyt on tasoitettu, on aika tasoittaa sivujen rypyt. Varmista ennen altaan täyttämistä, että verhousta ei ole vedetty liian kireäksi altaan reunan yli. Verhousta voidaan vielä tiukentaa veden pinnan ollessa noin 30 cm, joten älä vielä asenna yläkiskoa altaan reunan yli.

Nyt voit lisätä vettä altaaseen. Pidä silmällä, ettei allas menetä pyöreää muotoaan. Poista pyykkipojat ja kiinnitä yläkisko paikoilleen altaan reunaan. Yläkiskot kiinnitetään samalla tavalla kuin pohjakiskot ja niiden tulee olla tukevasti paikoillaan koko altaan ympäri. Vedenpinta saa olla korkeintaan noin 15 cm reunasta. Nyt voit poistaa tai leikata ylimääräisen osan allasalustasta.

## VI. Altaan vaahtosuodattimen asennus

**Tärkeää:** Tämä käyttöopas sisältää tärkeitä vaahtosuodattimen asennusta ja käyttöä koskevia turvaohjeita. Suodattimen asentajan ja allasta ja suodatinta säännöllisesti käyttävän on sen vuoksi luettava tämä käyttöopas huolellisesti läpi. Pidä käyttöohje siten käsillä, jotta voit hakea sieltä myöhemmin suodattimen toimintaan ja käyttöön liittyviä neuvoja.

### Osaluettelo:

Vaahtosuodattimen pakkaukseen kuuluvat seuraavat osat:

- Vaahtosuodatin
- Altaan kiinnityskokoonpano
- Kiinnityskokoonpanon kiinnike
- Moottori ja muuntaja

### Yleiskuvaus

Vaahtosuodatin on tarkoitettu käytettäväksi makeanveden uima-altaissa. Siinä on turvallisuusluokan IPX8 sähkömekaaninen laite (pölyn-, kosteudenkestävä, kiinteiden hiukkasten tunkeutumisen kestävä).

### Suodattimen kiinnitys

Muuntaja kiinnitetään 230V 50Hz vakiovirtalähteeseen, joka on kytketty HPFI-tyypin jäännösvirtalaitteeseen  $\leq$  mA.

### Asennus

Suodatinjärjestelmän asennus ei ole vaikeaa. Yhdeltä aikuiselta se vie noin 30 minuuttia. Noudata tämän käyttöoppaan ohjeita huolellisesti. Aseta vaahtosuodatin altaaseen niin että se on tuuleen päin, jolloin lika ja ylivuotovesi päätyvät helpommin suodattimeen.

### Kiinnityskokoonpanon asettaminen

Työnnä kiinnitysvarsi suodattimen kiinnikkeisiin.

Asenna vaahtosuodatin ja suodattimen pidike altaan reunaan.

Työnnä mutterit altaan reunan ulkopuolella olevan kiinnikkeen reikiin.

Työnnä molemmat ruuvit altaan sivuseinämän läpi ja ruuvaa paikalleen.

Suodatinjärjestelmä on nyt käyttövalmis.

### Säädöt ja kiinnitys

Irrota kiinnityskokoonpano ja työnnä vaahtosuodatin niin pitkälle alas, että uimuri on samalla tasolla kuin vedenpinta. Huomaa, että uimurin tulisi olla suurin piirtein kiinnitysvarren puolella välissä. Kiinnitä kiinnityskokoonpano paikoilleen.





## Suodattimen toimintatapa

Suodatin käyttää 12 voltin pienjännitteistä pintapumppua, joka kierrättää veden suodatinpatruunan läpi. Pumppua ei saa käyttää ilman vettä. Siinä pitää olla ylikuormituskytkin, joka estää ylikuormenemisesta johtuvat vauriot. Tämä kontakti kytkeytyy automaattisesti takaisin päälle, kun moottori on jäähtynyt. Suodatinpatruuna suodattaa vedestä liat, levät, öljyt jne. Puhdista suodatin huuhtelemalla se vesihanalla.

## Pumpun käynnistys

1. Täytä allas vedellä suodattimen reunaan asti. Kun vesi on virrannut suodattimeen, se on käyttövalmis. Älä KOSKAAN yritä käynnistää pumppua, jos altaassa ei ole tarpeeksi vettä!
2. Suodatin kerää hiukset, hyönteiset, lehdet ja muut suurehkot epäpuhtaudet, jotka kerääntyvät veteen. Pidä suodatin aina puhtaana liasta, jotta pumppu ei ylikuormitu.
3. Kytke pumppu pistorasiaan.

## Suodatin toiminnassa

Suodatin tekee nyt normaalit suodatustehtävänsä. Jatka veden suodattamista, kunnes altaan vesi on kirka ja puhdasta.

Suodattimen täytyy käydä ainakin 2 x 4 tuntia päivässä, jos vesi suodatetaan kahdesti päivässä. Anna pumpun levätä muutamia tunteja kunkin käyntijakson välillä. Voit kytkeä myös ajastimen päälle. Suodatusaikaa on lisättävä hellesään aikana ja kun uimassa käydään tiheästi, koska vedenhoitoaineilla käsiteltävän veden tarve myöskin lisääntyy.

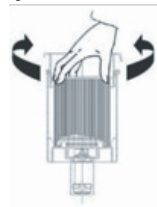
Pumppu on tehokkaimmillaan, kun suodatin on puhdas. Jos suodatin on täynnä kerääntynyttä jätettä, vesi ei pysty kiertämään kunnolla. Muista tarkastaa suodatin heti kun virtaus vähenee tai pumpun viiden tunnin käyntijakson jälkeen, kumpi tahansa tulee ensin. Jos suodatin näyttää likaiselta, puhdista se!

## Suodattimen puhdistus

1. Kytke virransyöttö pois päältä
2. Poista suodatin

Huuhtelee suodatin puutarhaletkulla tai vesihanalla. Suodattimen voi pestä myös automaattiasianpesukoneessa. Huuhtelee suodatin sekä sisä- että ulkopuolelta. Suodatin voidaan huuhdella lisäksi lämpimässä saippuvedessä. Jos suodatinnauhoissa on pieniä kalkkisaostumia, suodatin ei enää puhdista tehokkaasti ja se on vaihdettava uuteen. Jos suodatin on täynnä levää ja likaa, puhdista se voimakkaalla vesisuihkulla. Älä koskaan anna suodattimen kuivua täysin, sillä se vaikeuttaa puhdistamista ja turmelee suodattimen. Pidä aina varasuodatin käsillä ja käyttövalmiina.

3. Aseta suodatin takaisin vaahdonpoistajaan. Kiinnitä se varovasti takaisin paikoilleen ja sulje suodatin.
4. Kytke virransyöttö päälle ja jatka suodatusta.



**MUISTA PITÄÄ SUODATIN AINA PUHTAANA, JOTTA VEDEN VIRTAAUS ALTAASSA PYSYVÄ HYVÄNÄ!**

**Käytä vain tähän altaaseen tarkoitettua suodatinta, jonka saat paikalliselta altaan myyjältä.**

**Suodattimen tulee aina olla veden peitossa, sillä muutoin pumppu voi vaurioitua.**

Älä lisää kemikaaleja suoraan vaahdonpoistajaan, vaan liuota ne vesisangossa ennen levittämistä altaan reunaa pitkin. Voit halutesasi käyttää myös lapsiturvallista klordin nesteannostelijaa.

Ota yhteyttä paikalliseen altaan myyjään tai mene osoitteeseen

[www.swim-fun.com](http://www.swim-fun.com), kun haluat lisätietoja vedenkäsittelystä ja altaan lisävarusteista.

### Tekniset tiedot

- Suodatusnopeus 2,98 m<sup>3</sup>/h
- Virtausnopeus 2 m<sup>3</sup>/h
- Moottori 72 W
- Jännite 12 V
- Muuntaja 230/12 V
- IP-luokka I IPX8

### Sähköosat

Suodatinjärjestelmä on pienjännitteinen ja suojattu veden tunkeutumista vastaan. Jos johto tai muu osa vahingoittuu, koko suodatinpumppu on vaihdettava, sillä muutoin järjestelmän käyttöturvallisuus ei ole enää taattu.

### Vaahdosuodattimen poisto

Jos suodatinjärjestelmä on vahingoittunut, toimi seuraavasti:

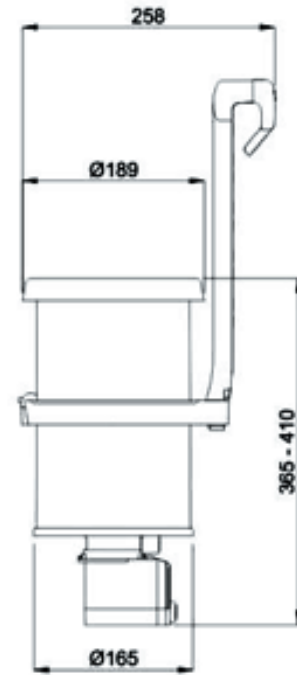
- Kytke suodatinjärjestelmä irti virtalähteestä
- Ota suodatinjärjestelmä irti altaasta
- Poista suodatinpumppu järjestelmästä

### Talvikuntoon laitto

Ota suodatinjärjestelmä irti ja pidä pakkaselta suojassa talven aikana. Suodatinjärjestelmä on niin ikään irrotettava, kun sitä ei aiota käyttää pitkään aikaan. Puhdista irrotettu suodatin ennen kuin se ehtii kuivua täysin. Aseta järjestelmä talven jälkeen altaaseen siten, kun on kuvattu käyttöönoton yhteydessä.

### Turvallisuusohjeet

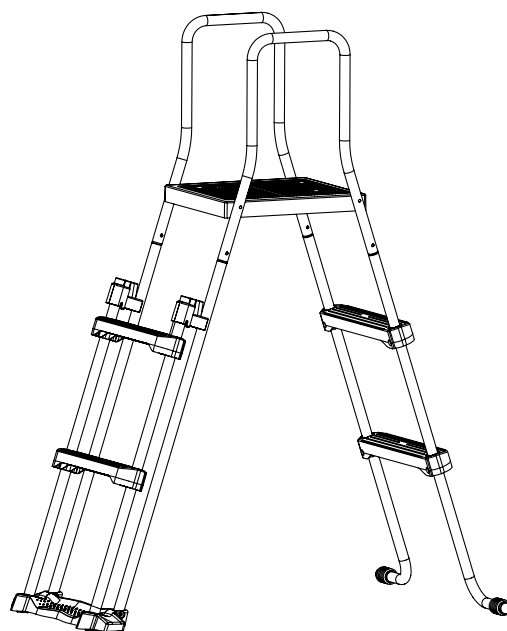
- Muuntajan ja altaan välisen etäisyyden on oltava vähintään 3,5 m.
- Sähköasennukset saa suorittaa vain ammattitaitoinen sähköasentaja.
- Suodatinjärjestelmä on kytkettävä pois päältä altaan käytön ajaksi
- Suodatinjärjestelmää ei saa KOSKAAN käyttää ilman vettä
- Älä koske käynnissä olevaan järjestelmään märin käsin
- Jos suodatinta täytyy käsitellä, kytke sitä ennen virtalähde pois päältä
- Suodattimen käsittelyn täytyy aina tapahtua kuivalla pinnalla
- Älä säilytä suodatinta kosteassa paikassa; seurauksena voi olla sähköisku
- Suodattimen päällä ei saa istua eikä siihen saa nojata
- Jos johto on vahingoittunut, koko järjestelmä on vaihdettava
- Mahdolliset kysymykset voit osoittaa altaan myyjälle tai osoitteessa [info@swim-fun.com](mailto:info@swim-fun.com)



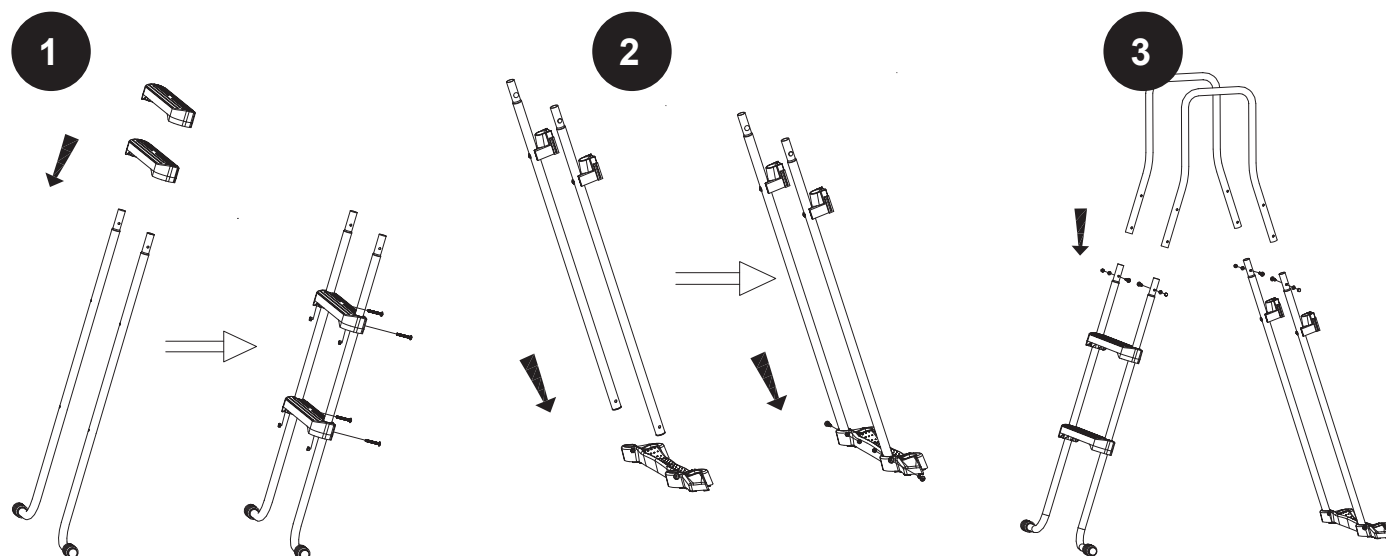
## VII. Tikkaat

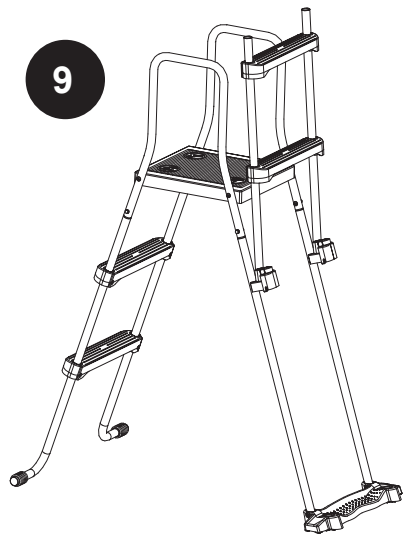
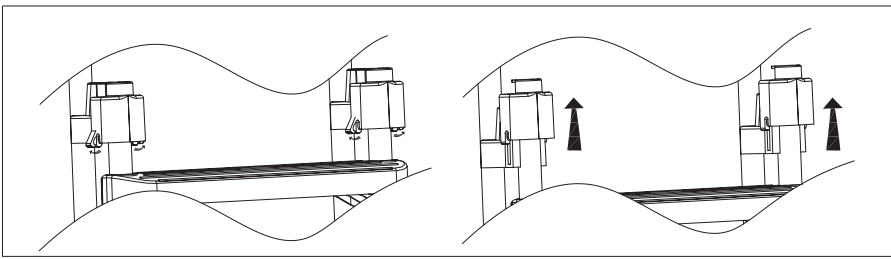
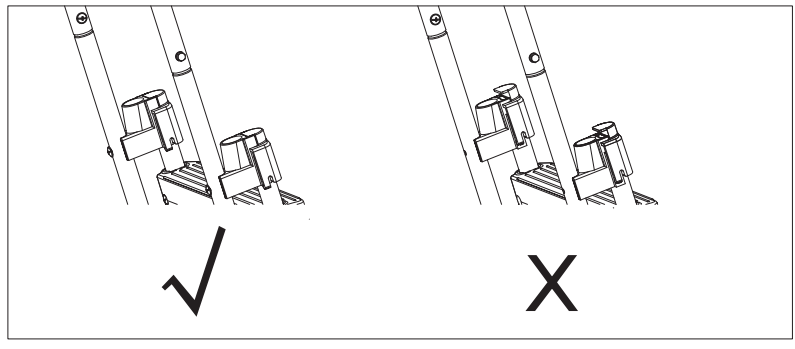
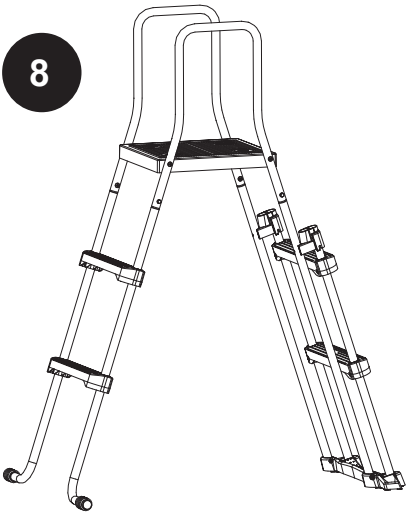
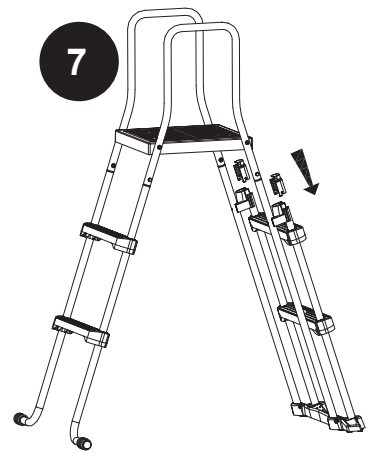
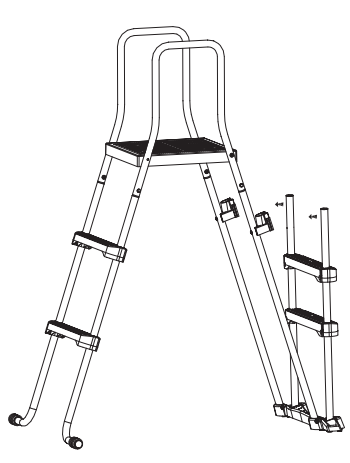
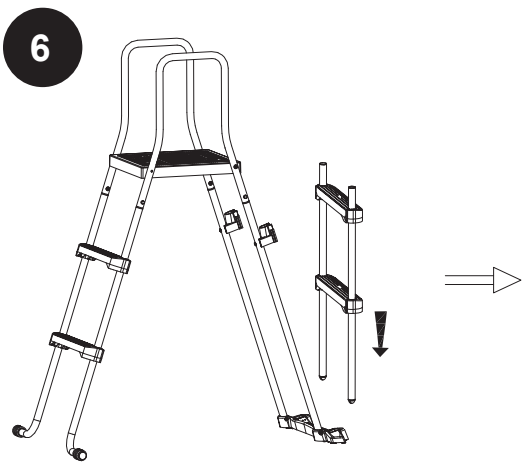
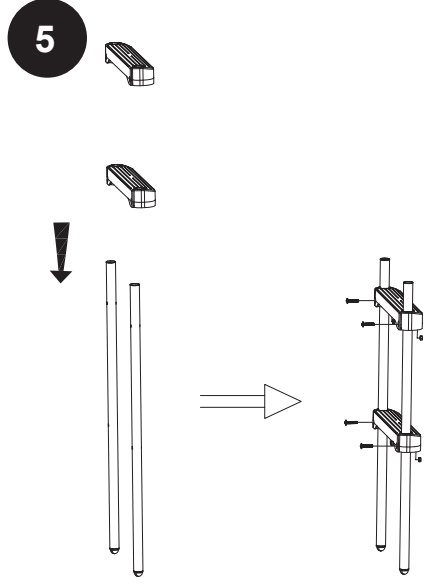
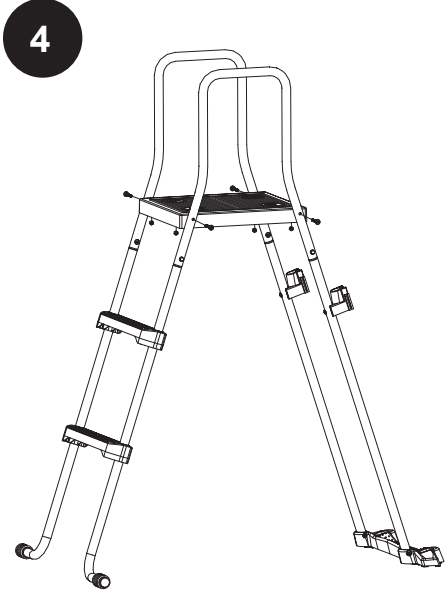
Tikkaat kuuluvat altaan toimitukseen.

Tikkaiden maksimikuormitus on 85 kg.



NO.	NAME	MATERIAL	QTY
1	M6X30 bolt	SUS304	4
2	M6 washer	SUS304	4
3	M6 cap nut	SUS304	4
4	step	PP	4
5	M6 lock nut	SUS304	10
6	M6X40 Bolt	SUS304	2
7	bracket	COATED STEEL	2
8	studdle	COATED STEEL	2
9	foot bar	COATED STEEL	4
10	lock	PP	2
11	M6 nut	SUS304	4
12	handrail	COATED STEEL	2
13	sitting platform	PP	1
14	M6X45	SUS304	12





## VIII. Käytettäväksi ulkoisen hiekkasuodatinjärjestelmän kanssa.

**Katso lista tarvittavat lisätarvikkeet sivulla 3**

*(lisävaruste - ei mukana altaan toimituksessa)*

### Paluusuutin ja pysyvästi asennettu vaahdonpoistaja

Kreta puutarha-allas on valmistettu siten, että se voidaan helposti "ajanmukaistaa" käytettäväksi ulkoisen hiekkasuodatinjärjestelmän kanssa. Hiekkasuodatinjärjestelmän puhdistusteho on vähintään 4 m<sup>3</sup>/h. Järjestelmä takaa puhtaamman ja kirkaamman veden, minimoi kemikaalien tarpeen, mahdollistaa aurinkopaneelien käytön ja puhdistaa altaan pohjan tehokkaasti.

Sahaa tai leikkaa varovasti pyöreä lävistysreikä altaan seinämään ja suorakulmainen reikä vaahdonpoistajalle. Tätä ei voida tehdä, jos verhoukset on altaan sisäpuolella, joten se on ensin poistettava varovasti yläkiskosta - tai se voidaan vaihtaa uuteen. Tee altaan seinämään lävistysreiät ennen

### Paluuputki

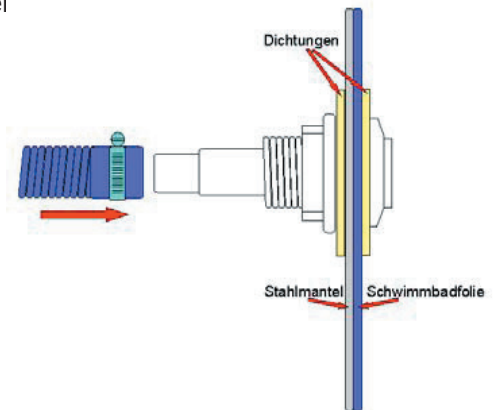
Täytä allas vedellä niin että veden pinta on 5 cm paluuputken pyöreän aukon alapuolella.

Leikkaa verhoukseen risti terävällä mattoveitsellä, mutta älä leikkaa lävistysaukon reiän ulkopuolelle.

Asenna paluuputken suutin ja yksi tiiviste altaan puolelta ulospäin. Näin syntyneet ylimääräisen verhouksmateriaalin kolmiot on leikattava siististi ja tarkasti suuttimen ulkopuolta pitkin. Asenna toinen tiiviste samalla tavalla altaan ulkopuolelta käsin ja kiristä tiivisteiden ulkopuolinen suuri mutteri. Käytä kierteisiin teflonteippiä. Paluusuuttimen on oltava tiukasti paikallaan, mutta älä ylikiristä mutteria (kiristä varoen).

Jos paluusuutin on väljällä sovitteella kiinni suodattimen letkun asennusta varten, käytä myös silloin teflonteippiä asennettujen osien kierteisiin.

Kun paluusuutin on asennettu oikein, voit asentaa vaahdonpoistajan.



### Vaahdonpoistaja

Poista neliömäinen tasovevy vaahdonpoistajasta. Vaahdonpoistajan toimitukseen kuuluu joko 2 yksittäistiivistettä tai yksi kerrostiiviste.

### Asennus kahdella vaahdonpoistajan tiivisteellä

Ota vaahdonpoistajan neliömäinen sisäkehys (kovamuovi) ja yksi tiiviste.

Aseta ruuvi kumpaakin yläreikään.

Aseta vaahdonpoistajan kehys altaan sisäpuolelle ja työnnä ruuvit sisäpuolelta altaan seinämän kahden reiän tai aukon läpi. Verhoukset lävistetään samalla. Varmista etukäteen, että vaahdonpoistajan kehys ja tiiviste on asetettu niin, että reiät ovat kohdakkain. Asenna toinen tiiviste altaan seinämän toiselle puolelle ja kiinnitä ruuvi vaahdonpoistajan koteloon tai ruuvinreikiin.

Ruuvaa muut ruuvit samoin altaan sivun sisäpuolelta tiivisteiden läpi vaahdonpoistajan koteloon. Kaikki ruuvinreiät ovat kohdakkain altaan seinämän läpi, jos asennus on tapahtunut virheettömästi.

Varmista, että vaahdonpoistajan tiivisteet on asennettu tasaisesti aukkoon molemmilla puolilla.

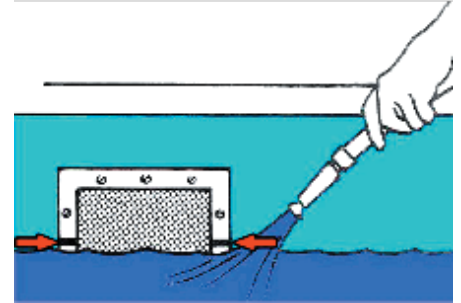
Kiristä ruuvit pareittain vinosti ja sitten tasaisesti niin, että asennuksesta tulee vesitiivis. Käytä vain käsikäyttöistä ruuvinväännintä ja varo ylikiristämästä kierteitä (älä käytä sähkökonetta!).

Irrota verhous terävällä veitsellä reunasta vaahdonpoistajan aukon sisäpuolelta. Kiristä ruuvit huolellisesti.

### **Asennus kerrostiivisteellä**

Täytä allas vedellä niin että veden pinta on noin 5 cm vaahdonpoistajan aukon alapuolella. Leikkaa altaan seinämän aukon kokoinen reikä. Asenna tiiviste vaahdonpoistajan seinässä olevaan aukkoon siten, että se lepää verhouksen ja altaan seinämän päällä. Tarkkaile, että se asettuu kohdakkain ruuvireikien kanssa kaikilla neljällä puolella. Kiinnitä vaahdonpoistajan sisäkehys sisäpuolelta käsin ruuveilla vaahdonpoistajan koteloon.

*Detailed information on filtration, water care, winterization and accessories etc are available from your pool retailer or at [www.swim-fun.com](http://www.swim-fun.com)*



## **IX. Tietoja uima-altaan kaivamisesta maahan**

Teräseinäaltaamme on alun perin suunniteltu käytettäväksi vapaasti seisovina altaina puutarhoissa. Siksi on huomattava, että tuotetakuu ei kata vahinkoja, jotka johtuvat virheellisestä asennuksesta tai altaan käyttämisestä maahan kaivettuna. Jos allas halutaan kaivaa maahan, pyydämme ottamaan yhteyden ammattihenkilöön ja antamaan työn hänen tehtäväkseen. Jos haluat kaivaa altaan maahan itse, on tärkeää noudattaa seuraavia ohjeita:

### **Sijoittaminen:**

Tiedustele paikallisilta viranomaisilta, tarvitaanko altaan sijoittamiselle halutulle paikalle mahdollinen lupa. Lisäksi on suositeltavaa ottaa aina yhteys vakuutusyhtiöön ennen uima-altaan rakentamista ja kaivamista maahan. Altaan omistajana velvollisuutenasi on ilmoittaa vakuutusyhtiölle, että tontillasi on uima-allas.

### **Valmistelut:**

Merkitse alue, johon uima-allas asennetaan.

Pyöreille altaille halkaisijaksi merkitään 1 m itse allasta suurempi alue. Soikeille altaille alue merkitään 1 metriä altaan pituutta pidemmäksi ja 2 metriä sen leveyttä leveämmäksi.

### **Alusta:**

Altaan sijoituspaikan alustan on oltava täysin tasainen ja 100 % kova ja kiinteä. Älä koskaan asenna allasta pehmeälle tai joustavalle alustalle, jossa veden paino voi saada altaan asettumaan paikoilleen. Muista, että 1000 l => 1 m<sup>3</sup> => 1000 kg! Alustassa ei saa olla reikiä, kiviä, kasveja tai juuria, jotka voivat puhkaista verhouksen.

Suosittellemme 15 cm paksun raudoitettua betonialustan valamista. Alustan on oltava täysin tasainen ja 100 % vaakasuorassa.

Verhouksen suojaamiseksi alustan päälle on aina asetettava suojamatto. Pohjalle voidaan asettaa myös ylimääräinen 50 mm:n kerros kovia eristäviä styroliittilevyjä.

Valitse altaalle aurinkoinen paikka, joka on lähellä vesijohtoa, viemäriä ja pistorasiaa.

Älä aseta allasta sähkökaapeliin tai kaasujohtojen päälle tai alueille, joissa pohjavesi on korkealla.

Älä sijoita allasta virtaa johtavien ilmajohtojen alle.



Valitse suojaisa paikka, jonka välittömässä läheisyydessä ei ole puita, koska muuten lehtiä putoaa jatkuvasti altaaseen. Aseta uima-altaan vaahdonpoistaja niin, että tuuli puhaltaa normaalisti sitä kohti.

Muista, että altaan suodatin ja pumppu on asennettava aina niin, että ne ovat samalla tasolla altaan pohjan kanssa.

### **Kaivanto:**

Huomioi myös vaahdonpoistajan, paluuputken ja portaiden sijainti. Kaivannon on oltava 15 cm altaan korkeutta syvempi. Jos allas on 120 cm korkea, kaivannon on oltava 135 cm syvä.

### **Asennus – Vaihtoehto 1: Puisella allaskannella**

Kun alusta on valmis, allas pystytetään samalla tavalla kuin se olisi vapaasti maan pinnalla. On aina suositeltavaa antaa altaan olla täysin vapaasti kaivannossa ilman kosketusta muihin rakenteisiin.

Siksi maa on tasoitettava pohjalevyn kohdalta ja vinosti ulospäin niin, ettei maata ja soraa pääse altaan seiniä vasten esim. rankkasateella. Uima-altaan on siis oltava ”suppilomaisessa” reiässä, jossa on vaakatasossa oleva pohjalevy. Maaseinämät voi halutessaan tukea eri tavoin. Esimerkiksi muuraamalla tai muulla tavalla voidaan varmistaa, että allas seisoo aina vapaasti kaivannossa. Kysy tarvittaessa rakennusalan ammattilaiselta, miten tämä kannattaa tehdä omalla rakennuspaikallasi.

”Kaivanto” suositellaan viimeisteltäväksi puisella allaskannella allasta kohti. Tämä allaskansi tuetaan altaan läheltä tolpileillä, jotka asetetaan kehään noin 20-30 cm päähän altaan reunasta. Näin ”maalainen” allas saadaan maanpinnan tasolle ja altaan ympärille muodostuu allaskansi, jolla on miellyttävä liikkua ja ottaa aurinkoa.

### **Vaihtoehto 2: Ilman puista allaskantta**

Monet valitsevat altaan kaivamisen maahan perinteisemmällä tavalla. Tällöin allas pystytetään edellä mainitulle pohjalevylle ja allas ja suodatinjärjestelmä yhdistetään vahvistetulla joustoletkulla tai vaihtoehtoisesti kovalla putkella. Suodatin ja pumppu asennetaan erikseen kaivettuun kuiluun, jossa on oltava riittävästi tilaa niiden vaivatonta käsittelyä varten. Huomioi myös vaahdonpoistajan, paluuputken ja portaiden sijainti.

### **Asennus:**

Noudata käsikirjan ohjeita niin, että uima-allas asennetaan samalla tavalla kuin se asennetaan vapaasti maanpinnalle. Allas yhdistetään suodatinjärjestelmään kovalla pvc-letkulla tai vahvistetulla allasletkulla.

Täytä allas vedellä. Kun allas täytetään vedellä, se on tehtävä aina vesiletkulla niin, että altaan kangas levittyy oikein paikalleen. HUOM! Allas ei saa koskaan täyttää paloautosta, sillä sen liian voimakas paine voi vahingoittaa allasta.

Verhoile allas usealla 20 mm:n eristemateriaalikerroksella (frigoliitti) koko matkalta altaan seinämän ympäri.

Eristys kiinnitetään teipillä. Verhouksen on eristettävä altaan seinämä täydellisesti suorasta kosketuksesta hiekkaan, betoniin tai vastaavaan materiaaliin.

Kaivannon reunan ja altaan seinämän välinen tila on täytettävä kuivabetonilla, jossa on 1/5 sementtiä ja 4/5 hienoa soraa. Muista, että altaan on aina ennen tätä oltava täynnä vettä. Tämä työ tehtävä vaiheittain niin, että altaan ympärille koko matkalle täytetään kerralla noin 30 cm materiaalia. Älä tiivistä materiaalia tarpeettomasti, ettei se paina altaan seinämää ja aiheuta lommoja.

Jos tällä menetelmällä on tarkoitus kaivaa maahan soikeita altaita, tarvitaan aina tukimuuri altaan molemmille pitkille sivuille maaperän aiheuttaman ulkoisen paineen vuoksi.

### **Altaan huolto:**

Tarkasta säännöllisesti, että allas on virheettömässä kunnossa. Verhouksen on oltava puhdas, allasletkujen oikein liitettynä, portaiden oikein asennettuina ja suodatinjärjestelmän on toimittava kunnolla.

Muista tarkastaa, että veden pH- ja klooriarvot on säädetty oikein niin, että vesi pysyy raikkaana ja desinfioituna.

## X. Valmistautuminen talveen

Kun kesä päättyy tai uintikausi on ohi, valmistele allas talvea varten noudattamalla seuraavia ohjeita.

### **Important!**

Pls note that the pool needs to be water filled at all times - an empty pool will collapse!

If you do not follow the advice of winter preparation, it may void your warranty, and, at worst, your pool may be damaged during the winter.

### **1. Laske altaan vedenpinnan korkeutta.**

Laske altaan vedenpinnan korkeutta, kunnes paluuputken alla on noin 15 cm vettä. Asenna mahdollinen talvitulppa (tuotenro 1519) paluuputken suuttimeen. Irrota kaikki vaahdonpoistajaan ja pumppuun liitetyt letkut. Varmista, että kaikki vesi on poistunut vaahdonpoistajan kotelosta ja että mahdollinen vesi pääsee virtamaan vapaasti ulos.

### **2. Tarkasta kaikki liitokset ja ruuvit.**

Varmista, että rungon kaikki liitokset ovat kunnolla kiinni. Tarkasta, ettei altaan seinämä ole liikkunut pois pohjakiskosta. Varmista, että kaikki ruuvit ja pultit ovat kunnolla kiinni.

### **3. Tarkasta, ettei altaassa ole ruostetta.**

Maalaa kaikki ruostuneet alueet ruosteenestomaalilla.

### **4. Tarkasta altaan kangas.**

Varmista, että kankaan yläreuna on kiinnitetty kunnolla altaan seinämään muovilistalla. Kangasta ei saa irrottaa altaasta. Kankaan poistaminen aiheuttaa takuun raukeamisen. Älä poista kaikkea vettä altaasta.

### **5. Tarkasta reiät.**

Tarkasta, ettei kankaassa ole reikiä. Korjaa mahdolliset reiät renkaanpaikkaussarjalla. Pienet reiät voivat aiheuttaa talvella isoja vaurioita altaaseen.

### **6. Altaan lisävarusteet.**

Poista kaikki lisävarusteet altaasta, myös portaat. Jätä vaahdonpoistaja paikalleen. Varmista, että vaahdonpoistaja on suljettu ja pohjassa oleva aukko on auki niin, että mahdollinen vesi pääsee valumaan pois.

### **7. Puhdistus**

Lisää talvehtimisainetta altaan veteen puhdistuksen ja kloorishokin jälkeen. Se ehkäisee levä- ja kalkkierrostumien tarttumisen altaaseen.

### **8. Suodatin.**

Irrota allasletkut suodattimesta. Tyhjennä hiekkasuodatin vedestä ja hiekasta ja aseta se talveksi suojaan pakkaselta.

## 9. Minimoi voimakkaan jäätyksen aiheuttamat vauriot.

Veden pinnalla on käytettävä joustavia ”jäänmurtajia” altaaseen muodostuvien jääpakkautumien estämiseksi, jotka voivat aiheuttaa verhoukseen hankautumisvaurioita (takuu EI kata tällaisia vahinkoja!) – ”jäänmurtajat” voivat olla esim. tyhjiä muoviastioita tai muovipulloja, jotka on tasapainotettu pikkukivillä tai vastaavilla niin, että ne ovat vedenpinnalla. Älä käytä tasapainottamiseen vettä, sillä se jäätyy pakkasjaksojen aikana.

## 10. Peitä allas talvipeitteellä

Jotta estettäisiin liian pääsy altaaseen sekä levän ja bakteerien hyvät kasvuedellytykset, on allas peitettävä tummalla talvipeitteellä.

**Get detailed information on filtration, water care, wintering and accessories mm.  
Available from your pool dealer, or alternatively on [www.swim-fun.com](http://www.swim-fun.com)**

## XI. Takuu

Takuu-aika alkaa ostopäivänä, joka näkyy ostokuitissa. Kuitti on esitettävä huoltoa koskevissa asioissa takuuaikana. Säilytä ostokuitti huolellisesti. Valmistaja takaa, että laite on käyttöturvallinen ja täyttää seuraavat tuotevastuulain määräykset:

- Tuote on asennettava ja sitä on käytettävä käyttöohjeen mukaan.
- Vain alkuperäisiä varaosia saa käyttää

Takuu ei kata luonnollista kulumista, naarmuja, hiertymiä tai kosmeettisia vaurioita. Takuun piiriin eivät myöskään kuulu vauriot, jotka ovat aiheutuneet seuraavista:

- Ohjeidenvastainen käyttö tai käsittely, mukaan lukien pakkasvauriot
- Lämmittimen päälle astuminen/sen päällä hyppiminen
- Korjaukset, muuntelutyöt tai muut vastaavat, jotka on tehnyt joku muu kuin Swim & Fun Scandinavia

Valituksia, ota yhteyttä jälleenmyyjään. Palautettava viallinen tuote on pakattava hyvin kuljetusvahinkojen estämiseksi. Palautuskuljetusten vahinkovastuu on ostajalla. Palautuslähetykseen on liitettävä palauttajan nimi, osoite, puhelinnumero ja mahdollinen sähköpostiosoite, sillä muutoin valmistaja ei voi lähettää tuotetta takaisin! Muista aina kertoa, mitä on vikaa tuotteesta.

**Lisätietoja ja vinkkejä on sivustollamme: [www.swim-fun.com](http://www.swim-fun.com)**

**Tämä käyttöopas on tekijänoikeuslain alainen**

**Swim & Fun Scandinavia – asiakaspalvelu:**

Tanska +45 7022 6856  
Ruotsi +46 771 188819

## XII. Lisävarusteet

### Altaan suositellut perusvarusteet:



#### Pohjamatto

Muista aina tämä! Ennen altaan pystyttämistä on alustalle asetettava pohjamatto, joka suojaa altaan verhouksenkasta mekaaniselta kulumiselta sekä pienten kivien ja juurien tunkeutumiselta. Lisäksi pohjamatto tekee altaan pohjasta miellyttävän kävellä.

Tuote: 1566 Pohjamatto Ø3,50M  
Tuote: 1620 Pohjamatto Ø4,60M



#### Kesäpeite

Kesäpeite eristää altaan ja estää suuret lämpöhäviöt ilman jäähtyessä esim. yöllä. Peite pitää yllä altaan lämpötilan ja pidentää uintikautta. Se suojaa alasta myös ilmassa lentävältä liialta ja puunlehdiltä. Jos altaaseen on kytketty aurinkolämmitys, kesäpeite on ehdoton varuste. Kesäpeite asetetaan vedenpinnalle ilmakuplat alaspäin.

Tuote: 1564 Kesäpeite Ø3,50M  
Tuote: 4925 Kesäpeite Ø4,60M



#### Talvipeite

Talvipeitettä voidaan käyttää syksyllä, kun allasta ei enää käytetä. Lisäksi se estää ilmassa lentävää likaa ja puunlehtiä päätyästä altaaseen. Peite kiristetään altaan ympärille toimitettavalla turvavaijerilla ja lukolla. Samalla allas on suojattu luvattomalta käytöltä - vaikka se ei olekaan varsinainen turvapeite. Talvipeitettä voidaan käyttää myös, kun

allas on pitkään käyttämättömänä muina vuodenaikoina.

Tuote 1581 Talvipeite Ø3,50M  
Tuote 1607 Talvipeite Ø4,60M



#### Teleskooppivarsi

3-osainen 1,20 – 3,60M

Tuote: 1515



#### Allasimuri

Altaan pohjan puhdistukseen. Voidaan käyttää tavallisen puutarhaletkuun liitettynä.

Suositteluaan hiekkasuodatinjärjestelmällä varustettuihin altaisiin. Sopii teleskooppivarteen.

Tuote: 1514



#### Pintahaavi

Käytetään vedenpinnan pitämiseen puhtaana lehdistä yms. Sopii teleskooppivarteen.

Tuote: 1506



#### Pohjahaavi

Käytetään altaan pohjan puhdistamiseen lehdistä yms. Sopii teleskooppivarteen.

Tuote: 1507



#### Harja

Erikoissuuri pehmeä harja altaan verhouksen puhdistamiseen.

Tuote: 1504



#### Kemikaalinannostelija

Käytetään hitaasti liukenevien 20 g allasklooritablettien annosteluun.

**Lapsiturvallinen erikoismalli!**

Tuote: 1567



#### Lämpömittari

Näyttää uimaveden lämpötilan.

Tuote: 1527

**Jos haluat varustaa KRE-TA-altaasi ulkoisella hiekkasuodattimella, sinun on käytettävä seuraavia lisävarusteita:**



#### Vaahdonpoistaja

Vaahdonpoistaja asennetaan altaan seinämään (seinämässä on sille asennusvalmius). Vaahdonpoistaja toimitetaan täydellisenä mukaan lukien paluuliitäntä altaaseen.

Tuote: 1533



## Suodatinpussi vaahdonpoistajaan

Tehokkaat pienet suodatinpusset, jotka on helppo asettaa altaan vaahdonpoistajaan. Pussi kerää epäpuhtaudet, ennen kuin ne saavuttavat suodatimen. Pussin käyttö vähentää sekä kemikaalien että veden kulutusta, sillä hiekkasuodatinta ei tarvitse huuhdella niin usein puhtaaksi kerääntyneistä epäpuhtauksista.

Tuote 1549 (5 pussia)



## Allasletku

Joustava letku vapaasti seisoviin altaisiin, halkaisija 32 mm tai 38 mm. Molempia kokoja voidaan käyttää SWIM & FUNIN vaahdonpoistajien ja hiekkasuodatinjärjestelmien kanssa.

Tuote: 1582 Ø32 mm allasletku, 6,6 metriä (voidaan katkaista 1,20 m osiin)

Tuote: 1542 Ø38 mm allasletku, 9,0 metriä (voidaan katkaista 1,50 m osiin)



## Hiekkasuodatinjärjestelmä

Esimerkiksi hiekkasuodattimen 1044 puhdistusteho on 4500 l/h. Hiekkasuodatin puhdistaa tehokkaasti veden, ja pumppua voidaan käyttää myös esim. altaan pohjan imurointiin tai veden kierrättämiseen altaan aurinkolämmittimen kautta. Hiekkasuodatin on itsepuhdistuva eikä hiekkaa siksi tarvitse vaihtaa uintikauden aikana.

Tuote 1044



## Filterballs

for Sand Filter Systems in stead of sand. 700g = 25 kg sand,

Tuote 1069



## Suodatinhiekkä

Erikoishiekka, raekoko 0,4 – 0,8 mm. Käytetään hiekkasuodattimissa

Tuote: 1536 25 kg:n pussi.



## Pohjaimuri

Painolla ja sivuharjoilla varustettu pohjaimuri. Suositellaan hiekkasuodattimen käytön yhteydessä.

Tuote 1513

## Talvivarusteet

Tarvikkeet, jotka suojaavat altaasta mahdollisilta pakkasvaurioilta.



### Vaahdonpoistajan talvisuojus

Vaahdonpoistajan suojaus asennetaan talveksi altaan vaahdonpoistajaan. Se vaimentaa vaahdonpoistajan mahdollisen jäätyneen aiheuttaman ylimääräisen paineen.

Tuote: 1612



### Altaan talvisuoja

Allassuoja asetetaan altaan poikki. Se kelluu vedenpinnalla ja vaimentaa mahdollisen jäätyneen aiheuttaman ylimääräisen paineen ja vähentää näin altaan verhouksen vahingoittumisvaaraa.

Tuote: 1613



### Talvitulppa paluuvirtaukselle

Sulkutulppa kierteellä, jolla paluuvirtaus on helppo sulkea, kun letkut irrotetaan.

Tuote: 1519



### Vaahdonpoistajan sulkuventtiili

Käytä kahta venttiiliä, joista toinen asennetaan vaahdonpoistajaan ja toinen paluusuuttimeen.

Tuote: 1555

## Vesi hoito

Puutarha-altaasi tarvitsee seuraavat emäksiset vedenhoitotuotteet:



### pH Minus

Veden säätämiseen, jos vesi on kovaa.

Tuote: 1714 -1,5 kg.



### pH Plus

Veden säätämiseen, jos pH-arvo alittaa ihannetason 7,0-7,4.

Tuote: 1712 -1,5 kg.



### Klor Starter

Veden nopea ja tehokas perusdesinfointi, kun allas täytetään.

Tuote: 1701 -1 kg.



### Klor Weektab

Hitaasti liukenevat klooritabletit, jotka pitävät veden puhtaana koko kesän ajan.

Tuote: 1737 -1 kg.



### Combi tabs

Yhdistelmätabletit 20 gr. 3-in-1-tabletti. Klooriton vaihtoehto.

Tuote: 1758



### Pool Test Strips

Testiliuskat veden pH-/klooriarvon helpoon mittaukseen.

Tuote: 1737 – 50 kpl.



### Klar Pool

Ehkäisee kerrostumien muodostumista altaan sisäpuolelle.

Tuote: 1716 -1 l.



### Easy Pool

Easy Pool soveltuu helppokäyttöiseksi ja tehokkaaksi vaihtoehdoksi hitaasti liukenevalle

loorille ja Clear Poolille.

Tuote: 1775– mini  
Tuote: 1776 - maxi



## PL Spis treści:

Ważne informacje – wykazy elementów .....	94
I. Wymagane narzędzia.....	95
II. Znalezienie odpowiedniego miejsca na basen	95
III. Sprawdzenie elementów basenu .....	96
IV. Przygotowanie podłoża .....	96
V. Montaż basenu.....	97
VI. Montaż filtra przelewowego basenu.....	99
VII. Drabinka .....	102
VIII. Dysza powrotna i filtr przelewowy zamontowane na stałe (nie wchodzi w skład zestawu)	104
IX. Wkopywanie basenu .....	105
X. Przygotowanie na zimę .....	107
XI. Waranty .....	108
XII. Akcesoria .....	109

**NIE WOLNO  
ustawiać basenu  
podczas wietrznej  
pogody!**

### Ważne

Przed przystąpieniem do stawiania basenu należy uważnie zapoznać się z całą instrukcją obsługi i informacjami dotyczącymi bezpieczeństwa. Należy również upewnić się, że w kartonie znajdują się wszystkie potrzebne elementy. Należy korzystać z listy kontrolnej!

### Lista części

1. Profile dolne i górne (identyczne), 2 x 14 szt. (Ø4,60 = 2 x 17 szt.)
2. Rurki do montażu profili górnych i dolnych, 56 szt. (Ø4,60 = 68 szt.)
3. Pas do osłonięcia ściany basenu od wewnątrz, 1 szt.
4. Wewnętrzna okładzina basenu 0,3 mm, 1 szt.
5. Śruby M6x11 mm, stal nierdzewna, 20 szt.
6. Nakrętki M6, stal nierdzewna, 20 szt.
7. Podkładki M6, stal nierdzewna, 20 szt.
8. Plastikowe kołpaki na nakrętki, 20 szt.
9. Ściana basenu, stal 0,3 mm, 1 szt.
10. Części do zwiększenia bezpieczeństwa, patrz strona 102.

### Uwaga:

NIE WOLNO ustawiać basenu w okresach i miejscach występowania silnego wiatru! Rodzinny basen kąpielowy KRETA jest przystosowany do postawienia na ziemi. Jeśli jednak basen ma zostać wkopany w ziemię, prosimy zapoznać się z ogólnymi poradami na stronie [www.swim-fun.com](http://www.swim-fun.com) W przypadku używania basenu w miejscu innym niż postawiony na ziemi, gwarancja na wyrób jest nieważna.

## Informacje dotyczące bezpieczeństwa

- Zabrania się korzystać z basenu pod nieobecność osoby dorosłej.
- Nie wolno nurkować ani skakać do basenu z jego krawędzi. Nie wolno siadać ani wspinać się na krawędź basenu. Osłona górnej części basenu nie jest przystosowana do takich obciążeń.
- Należy BEZWZGLĘDNIE stosować się do instrukcji montażu i bezpieczeństwa.
- Montaż basenu i filtra powinien przebiegać zgodnie ze wskazówkami przedstawionymi w niniejszej instrukcji.
- Nie wolno pozwalać na niekontrolowane zabawy w basenie lub jego pobliżu.
- Zabrania się wprowadzania jakichkolwiek modyfikacji w konstrukcji basenu lub demontowania jakichkolwiek jego elementów. Należy bezwzględnie stosować się do wskazówek zawartych w niniejszej instrukcji.
- Drabinkę należy zamontować na stabilnej podstawie. Drabinka zawsze musi stać dokładnie w pionie. Drabinka ma nośność pozwalającą przebywać na niej w danej chwili tylko jednej osobie, ważącej nie więcej niż 85 kg.
- Wchodząc po drabinie do basenu i wychodząc z niego, należy być zawsze zwróconym twarzą w kierunku drabiny.
- Drabiny nie wolno używać do celów innych, niż wchodzenie i wychodzenie z basenu. Jeśli basen nie jest używany, należy wyjąć z niego drabinkę.
- Należy regularnie kontrolować, czy wszystkie elementy basenu i drabinki są nienaruszone i sprawne. W miarę potrzeby należy wymienić wszelkie zużyte części. Należy również zapewnić dokręcenie wkrętów, nakrętek i śrub.

**Zapobiegaj utonięciom! Dzieci zawsze muszą pozostawać pod opieką.**

**Krawędzie basenu nie są przeznaczone do użytku w charakterze platformy do skakania lub nurkowania!**

## I. Niezbędne narzędzia

Należy upewnić się, czy pod ręką znajdują się wszystkie narzędzia i materiały potrzebne do montażu basenu: łopata, motyka, grabie, deska o długości większej niż promień basenu, wykładzina na dno basenu oraz drobny żwirek.

Potrzebne będą również: sznurek, szeroka taśma, klucze płaskie w rozmiarze 8 i 10, klamerki do prania, nóż wielofunkcyjny, szcypce uniwersalne, poziomnica, wkrętak płaski i krzyżowy, dwa kołki do znakowania oraz farba w aerozolu albo piasek lub sproszkowane wapno do znakowania. Przed przystąpieniem do stawiania basenu zaleca się zmontowanie dostarczonej w zestawie drabinki. Należy rozpocząć od montażu stopni drabinki, a na koniec zmontować oba jej boki — zob. str. 49.

## II. Znajdowanie odpowiedniego miejsca na basen

Miejsce wybrane na postawienie basenu w ogromnym stopniu wpływa na późniejsze zadowolenie z jego użytkowania. **Ogromne znaczenie ma wybranie stabilnej i całkowicie płaskiej powierzchni na postawienie basenu. Basen należy ustawić na CAŁKOWICIE wyrównanej powierzchni!**

Nie należy wybierać miejsc w pobliżu drzew, gdyż może to skutkować problemem z liśćmi wpadającymi do basenu.

Należy wybrać miejsce, w którym jest dostęp do elektryczności i wody.

W interesie bezpieczeństwa dzieci zaleca się, by nie stawiać basenu w miejscach łatwo dostępnych dla dzieci.

### III. Sprawdzenie elementów basenu

Przed przystąpieniem do montażu basenu zaleca się sprawdzenie, czy wszystkie elementy są dostępne we właściwej liczbie. Zob. oddzielna lista kontrolna na początku instrukcji.

### IV. Przygotowanie podłoża

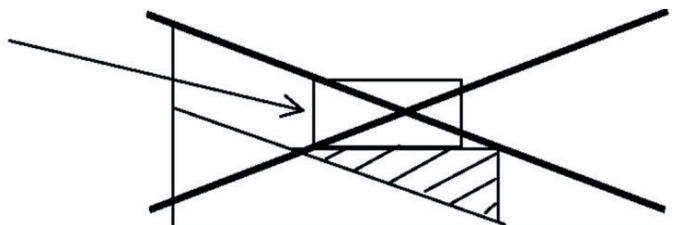
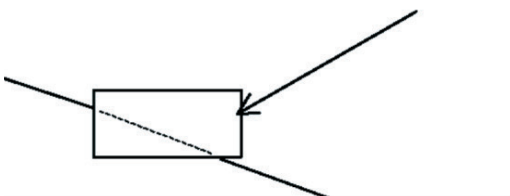
Wbij kołek do znakowania na środku miejsca przeznaczonego na postawienie basenu. Przywiąż do kołka sznurek. Długość sznurka musi odpowiadać długości promienia basenu powiększonej o zalecane dodatkowe 25 cm (razem 2 m). W ten sposób można zaznaczyć na ziemi obwód basenu w całości, zakreślając pełny okrąg wokół wbitego w środku kołka. Do zaznaczenia obwodu na ziemi użyj np. farby w aerozolu lub piasku.

#### **Ważne!**

**Podłoże basenu musi być twarde i w 100% wypoziomowane!!!**

#### **Ostrzeżenie!**

Nie wypełniaj podstawy dodatkową ziemią. Spowoduje to, że podstawa będzie miękka i niestabilna, gdy basen zostanie napełniony wodą, wywierając na podstawę nacisk wynoszący 8 ton!



Zamiast tego lepiej jest wykopać i usunąć trochę ziemi, aby podstawa była całkowicie twarda i równa. Z tego powodu, w przypadku, gdy basen ma być umieszczony na trawniku, należy bezwzględnie usunąć miękką, trawiastą powierzchnię.

Aby sprawdzić, czy podstawa jest równa, należy użyć poziomnicy przyklejonej do dwumetrowej deski. Wypoziomowanie podstawy należy skontrolować w kilku różnych miejscach.

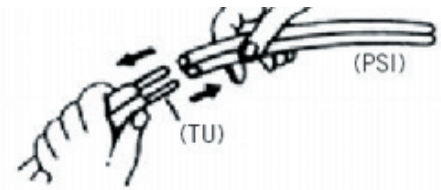
Na koniec podstawę należy starannie oczyścić, aby usunąć z obszaru basenu nie tylko darń, ale także drobne kamyczki, gałęzie, konary i korzenie.

Zaleca się każdorazowo umieszczać pod basenem wykładzinę podłogową w celu zminimalizowania mechanicznego zużycia okładziny, jak również dla zapobieżenia przedziurawienia przez kamienie i korzenie od dołu. Dzięki temu również chodzenie po dnie basenu jest bardziej komfortowe. Wykładzina podłogowa zazwyczaj składa się z kilku kawałków, układanych tak, by poszczególne sekcje zachodziły na siebie na ok. 2 cm. W końcowym etapie nadmiar materiału zostaje usunięty.

## V. Montaż basenu

### 1. Zestaw szyn dolnych

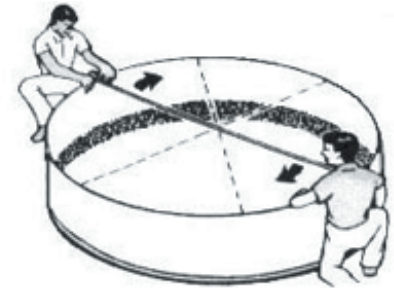
Profile w obszarze basenu tworzą po połączeniu okrągłą ramę dolną (należy użyć 14 profili)



RYS. 1

Należy upewnić się, że okrąg jest równy i prawidłowo ustawiony w stosunku do kołka do zaznaczania zastosowanego w podstawie. Niezwykle ważne jest zapewnienie, by

powłoka basenu została następnie prawidłowo umieszczona (rys. 2).



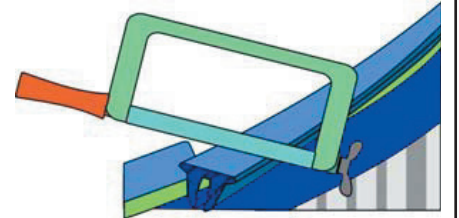
RYS. 2

### 2. Montaż ściany basenu

Do tej czynności wymagane są co najmniej dwie osoby dorosłe, a najlepiej jeszcze więcej osób, gdyż poradzenie sobie ze ścianą basenu na tym etapie może być dość problematyczne. Z tego powodu w żadnym wypadku nie wolno stawiać ściany przy silnym wietrze.

Postaw ścianę basenu pionowo, np. na kawałku kartonu na środku dolnej ramy. Ścianę należy rozwinąć w kierunku zgodnym z ruchem wskazówek zegara, a następnie umieścić pionowo w dolnej szynie na całym obwodzie. Nie zapomnij upewnić się, że ściana basenu nie jest montowana „do góry nogami” — perforowana część ściany musi być zwrócona w górę (niewidoczne na ilustracji). Jeśli stosowana jest pompa dostarczona w zestawie, otworów tych nie należy wykorzystywać do żadnych innych celów. Otwory te mają znaczenie tylko w przypadku, gdyby basen w późniejszym czasie miał zostać rozbudowany o układ filtru piaskowego oraz poręcz zamontowaną do ściany basenu.

**Należy pamiętać, że długość szyny dolnej i górnej musi być dobrana do danej ściany basenu. Zatem, aby złożyć ścianę basenu, konieczne jest odpiłowanie fragmentu dolnej szyny. W tym miejscu należy zachować ostrożność. Z odcinaniem odpowiedniego odcinka górnej szyny należy wstrzymać się do zakończenia montażu basenu.**

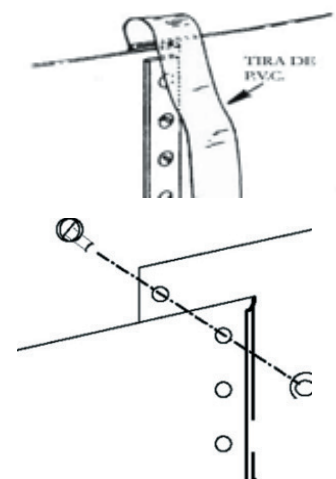


### 3. Zamykanie ściany basenu

Należy KONIECZNIE wykorzystać wszystkie dostarczone w zestawie wkręty i śruby. Żaden z otworów na śrubę w ścianie basenu nie może pozostać pusty. Wkładaj wkręty od wewnątrz i dokręcaj je z użyciem podkładek i nakrętek od zewnątrz. Na nakrętki po zewnętrznej stronie ściany basenu nałóż kołpaki.

### 4. Ochrona powłoki basenu

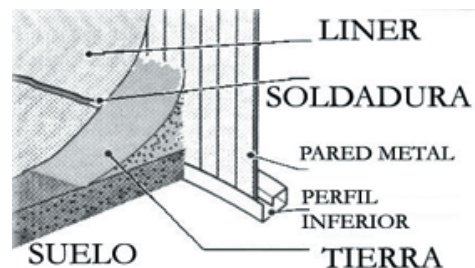
Łby śrub po wewnętrznej stronie basenu są osłonięte stosowną okładziną, przyklejaną taśmą do ściany w celu ochrony powłoki basenu przed uszkodzeniem mechanicznym (rys. 3).



RYS. 3

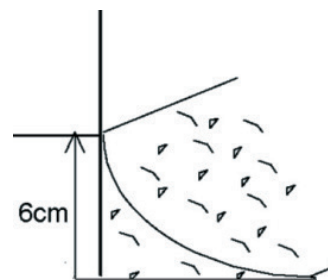
## **5. Kontrola wykonanych dotychczas prac**

Należy jeszcze raz upewnić się, czy podstawa basenu jest całkowicie równa, a ściana basenu tworzy idealny okrąg, aby uniknąć problemów przy późniejszym montażu powłoki basenu. Okrąg można sprawdzić, mierząc średnicę basenu. Wszelkie błędy należy naprawić przed przejściem do kolejnego etapu montażu.



## **6. Warstwa żwiru po wewnętrznej stronie basenu (rys. 4)**

Niewielka warstwa żwiru zapobiega wpychaniu powłoki pod ścianę basenu. Z tego powodu należy umieścić taką warstwę w przestrzeni pomiędzy podłożem a ścianą basenu na całym obwodzie. Należy zastosować żwirek, w którym nie ma drobnych kamieni. Powierzchnia żwiru powinna być twarda i równa na całym obwodzie.



RYS. 4

## **7. Montaż powłoki**

Powłoka basenu jest jego najważniejszą i najbardziej delikatną częścią. Z tego powodu przy otwieraniu opakowania z powłoką w żadnym wypadku nie wolno używać noża ani innego ostrego przyrządu. Podczas montażu basenu powłokę należy trzymać w oddzielnym miejscu, aby uniknąć przypadkowego uszkodzenia powłoki przez narzędzia lub metalowe krawędzie.

Montaż należy wykonywać w kilka osób. Wystawienie powłoki na słońce i podgrzanie przez promienie słoneczne ułatwia jej rozłożenie. Czyni to materiał bardziej elastycznym i ułatwia pracę. Temperatura podczas rozkładania powłoki powinna wynosić od 20 do 25 stopni. W żadnym wypadku nie należy montować powłoki bardzo zimnej ani takiej, której temperatura przekracza 25 stopni, gdyż w takich temperaturach łatwiej jest o wypaczenie elastycznego materiału powłoki. Może to wpłynąć na efekt montażu.

Należy upewnić się, że w powłoce nie ma dziur. Następnie należy rozprzeć powłokę w maksymalnym zakresie od środka basenu i na całym obwodzie ściany basenu.

**Uwaga: Powłoki od środka w stronę ściany nie należy rozkładać, chodząc po niej w butach!**

Górne części boków powłoki należy tymczasowo zaczepić o krawędź ściany basenu za pomocą klamerek do prania.



Należy upewnić się, że szew pomiędzy dnem a bokami powłoki jest równomierny na całej długości nałożonej warstwy żwiru.

W tym miejscu należy jeszcze raz sprawdzić średnicę basenu i napełnić go wodą do poziomu maksymalnie kilku centymetrów od dna. Nie więcej! Należy wyregulować/naciągnąć powłokę na całym obwodzie basenu tak, by maksymalnie wygładzić zmarszczenia na dnie i bokach. Najlepiej jest to zrobić, stojąc w środku basenu i wygładzając wykładzinę do zewnątrz w stronę boków basenu. Uwaga: Poprawienie powłoki nie będzie możliwe, gdy basen będzie napełniany coraz większą ilością wody!

Po wygładzeniu zmarszczeń na dnie basenu należy wygładzić pomarszczenia na bokach. Przed napełnieniem upewnij się, że wykładzina nie jest naciągnięta zbyt mocno na krawędź basenu. Przy poziomie wody ok. 30 cm nadal istnieje możliwość lekkiego naciągnięcia powłoki basenu, wstrzymaj się zatem z mocowaniem górnej szyny na krawędź basenu.

Możesz teraz wlać do basenu więcej wody. Przez ten czas zwracaj uwagę na to, czy basen nie traci swojego okrągłego kształtu. Zdejmij klamerki do prania i przymocuj górną szynę do krawędzi basenu. Górne szyny są montowane w ten sam sposób, co dolne i powinny być mocno osadzone na miejscu na całym obwodzie. Poziom wody nie powinien sięgać powyżej ok. 15 cm od krawędzi. Wszelki nadmiar powłoki można teraz usunąć/odciąć



## VI. Montaż filtra przelewowego do basenu

**Ważne:** Niniejsza instrukcja zawiera ważne informacje dotyczące bezpieczeństwa montażu i użytkowania filtra przelewowego. Z tego powodu osoba montująca filtr oraz osoby, które będą regularnie obsługiwać basen i filtr powinny uważnie zapoznać się z niniejszą instrukcją. Niniejszą instrukcję należy zachować, tak aby była dostępna w razie jakichkolwiek późniejszych wątpliwości dotyczących działania i obsługi filtra.

### Lista części:

W kartonie zawierającym filtr przelewowy znajdują się następujące elementy: :

- Filtr przelewowy
- Mocowanie do basenu
- Uchwyt do mocowania
- Silnik i transformator



### Opis ogólny

Filtr przelewowy jest przeznaczony do stosowania w basenach pływackich z wodą słodką. Zawiera on urządzenie elektromechaniczne klasy bezpieczeństwa IPX8 (odporne na wnikanie pyłu, cząstek stałych i wilgoci).

### Podłączanie filtra

Transformator należy dołączyć do standardowego źródła zasilania 230 V, 50 Hz z wyłącznikiem różnicowoprądowym  $\leq$  mA.

### Montaż

Montaż układu filtra nie jest skomplikowany, może go przeprowadzić jedna osoba dorosła w czasie ok. 30 minut. Należy uważnie przestrzegać wskazówek zawartych w niniejszej instrukcji. Filtr przelewowy należy umieścić w basenie w kierunku pod wiatr, tak aby wszelkie zanieczyszczenia lub nadmiar wody było łatwiej kierować w stronę filtra.

### Umieszczenie mocowania

Ramię montażowe należy wepchnąć w uchwyty montażowe filtra.

Filtr przelewowy i uchwyt filtra należy zamontować przy krawędzi basenu.

Nakrętki należy włożyć w otwory uchwyty znajdujące się na zewnątrz krawędzi basenu.

Dwie śruby należy włożyć od strony basenu i przykręcić na swoich miejscach.

System filtra jest teraz gotowy do użytku.

### Regulacje i dokręcanie

Należy poluzować mocowanie i włożyć filtr przelewowy na tyle głęboko, by pływak znalazł się na poziomie lustra wody. Należy pamiętać, że pływak powinien być mniej więcej w połowie ramienia montażowego. Następnie należy dokręcić mocowanie.





## Sposób działania filtra

W filtrze stosowana jest pompa powierzchniowa zasilana niskim napięciem 12 V, zapewniająca obieg wody przez wkład filtra. Podczas pracy pompy, zawsze musi znajdować się w niej woda. Pompa jest wyposażona w wyłącznik przeciążeniowy, zapobiegający jej uszkodzeniu w przypadku przegrzania. Styk wyłącznika załącza się samoczynnie z powrotem po ostygnięciu pompy. Wkład filtra odfiltruje z wody brud, wodorosty, oleje itp. Filtr należy czyścić, płuczac go pod bieżącą wodą.

## Uruchamianie pompy

1. Basen należy napełnić wodą do krawędzi filtra. Woda wówczas wpływa do filtra i jest on gotowy do użycia. W ŻADNYM WYPADKU NIE WOLNO uruchamiać pompy, gdy w basenie nie ma wystarczającej ilości wody!
2. Filtr wyłapuje z wody włosy, owady, liście i inne duże zanieczyszczenia. Należy dopilnować, by filtr był zawsze wolny od zanieczyszczeń, aby nie doszło do przegrzania pompy.
3. Podłącz pompę do gniazda elektrycznego.

## Działanie filtra

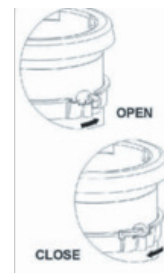
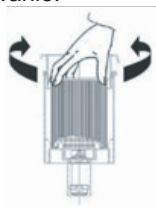
Filtr jest teraz uruchomiony i filtruje w zwykły sposób. Filtrowanie wody w basenie należy kontynuować, aż będzie ona klarowna i czysta.

Woda powinna być filtrowana dwa razy dziennie, dlatego należy uruchamiać filtr co najmniej 2 razy dziennie na minimum 4 godziny. Pomiedzy tymi okresami najlepiej jest pozostawić pompę wyłączoną na kilka godzin. Istnieje możliwość podłączenia wyłącznika czasowego. W okresach upałów i intensywnego korzystania z basenu należy wydłużyć czas filtrowania. Wzrasta wówczas również konieczność uzdatniania wody za pomocą odpowiednich środków.

Pompa działa najskuteczniej, gdy filtr jest czysty. Jeśli zaś filtr jest wypełniony zebranymi zanieczyszczeniami, prawidłowy obieg wody nie jest zapewniony. Należy pamiętać o sprawdzaniu filtra, gdy następuje osłabienie przepływu bądź też po każdym pięciu godzinach pracy pompy, w zależności co nastąpi wcześniej. Jeśli filtr jest brudny, należy go wyczyścić!

## Czyszczenie filtra

1. Wyłącz zasilanie.
2. Wyjmij filtr.
3. Wypłucz filtr pod kranem lub przy użyciu węża ogrodowego. Filtr można również zmywać w automatycznej zmywarce do naczyń. Filtr należy opłukać zarówno wewnątrz, jak i z zewnątrz. Dalsze czyszczenie można przeprowadzić, płuczac filtr w ciepłej wodzie z mydłem. Jeśli na paskach filtra są niewielkie osady kamienia, przestanie on czyścić skutecznie, dlatego należy go wymienić na nowy. Jeśli filtr jest zapchany wodorostami i zanieczyszczeniami, należy przy czyszczeniu użyć silnego strumienia wody. W żadnym wypadku nie wolno doprowadzić do zaschnięcia filtra, gdyż nie tylko utrudnia to czyszczenie, ale może również uszkodzić filtr. Należy zawsze mieć pod ręką gotowy do użycia zapasowy filtr.
4. Włóż filtr z powrotem do filtra przelewowego. Starannie zamontuj go na miejscu i zamknij filtr.
5. Włącz zasilanie i kontynuuj filtrowanie.



**FILTR MUSI BYĆ UTRZYMYWANY PRZEZ CAŁY CZAS W CZYSTOŚCI, ABY ZAPEWNIĆ PRAWIDŁOWY PRZEPLŹW WODY W BASENIE!** Należy stosować wyłącznie filtr przeznaczony do tego basenu; filtr można zakupić u lokalnego sprzedawcy basenów. Filtr przez cały czas musi znajdować się pod wodą, w przeciwnym razie można uszkodzić pompę.

Nie należy wlewać chemikaliów bezpośrednio do filtra przelewowego. Zamiast tego, należy je rozpuścić w wiadrze wody, a następnie rozlać wokół krawędzi basenu. Można też używać bezpiecznych dla dzieci dozowników chloru.

For more information on water treatment and pool accessories, contact your local pool retailer or go in to [www.swim-fun.com](http://www.swim-fun.com)

### Dane techniczne

- Prędkość filtracji 2,98 m<sup>3</sup>/h
- Przepływ 2 m<sup>3</sup>/h
- Silnik 72 W
- Napięcie 12 V
- Transformator 230/12 V
- Klasa IP I IPX8

### Elementy elektryczne

System filtrujący jest niskonapięciowy i jest zabezpieczony przed wnikaniem wody. Jeśli nastąpi uszkodzenie kabla lub innego elementu, należy wymienić całą pompę filtra, aby system był w dalszym ciągu bezpieczny w użytkowaniu.

### Wymywanie filtra przelewowego

Jeśli system filtra uległ uszkodzeniu, należy postępować następująco:

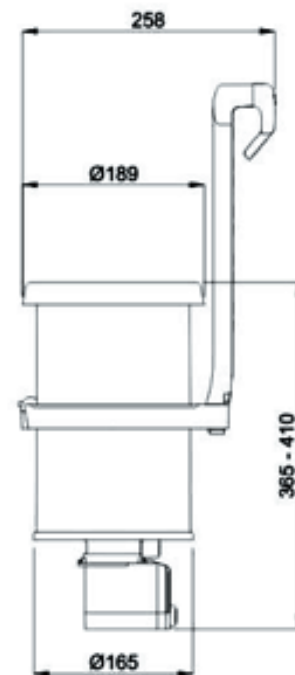
- Odłącz system filtra od źródła zasilania.
- Wyjmij system filtra z basenu.
- Wyjmij pompę filtra z układu.

### Przygotowanie do zimy

System filtra musi zostać na zimę wyciągnięty i przechowywany w miejscu nienarażonym na mróz. Jeśli system filtra nie będzie użytkowany przez dłuższy czas, również należy go wyjąć. Wyjęty filtr należy wyczyścić zanim wyschnie. Ponowne umieszczanie systemu w basenie po okresie zimowym odbywa się tak samo, jak przy uruchamianiu systemu po raz pierwszy.

### Wskazówki dotyczące bezpieczeństwa

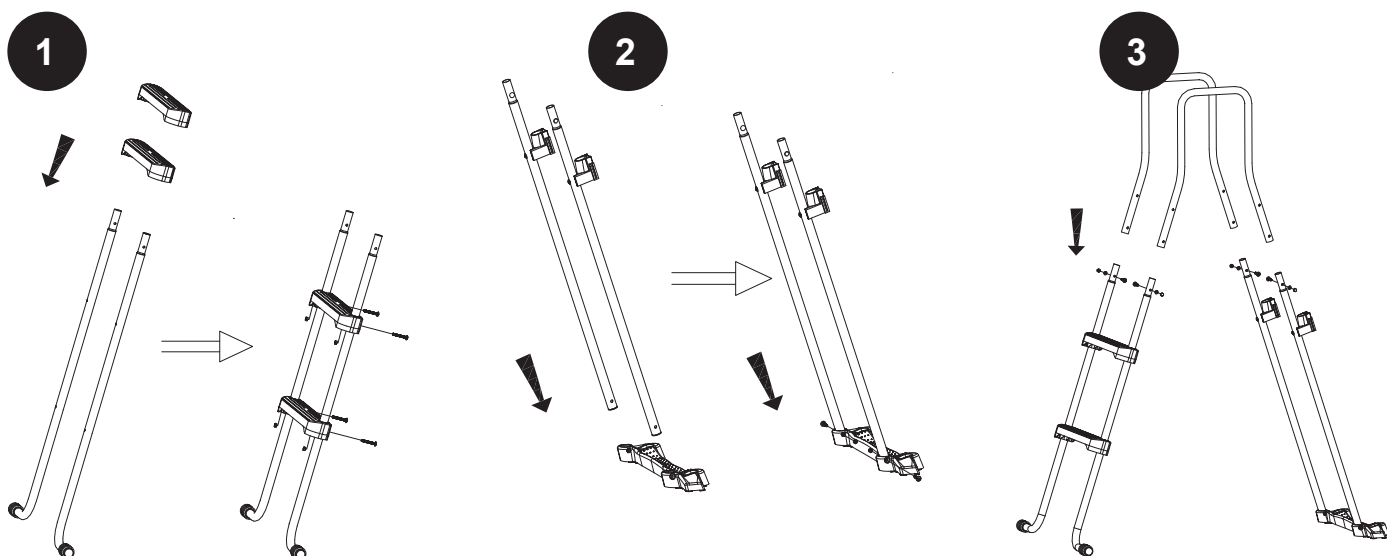
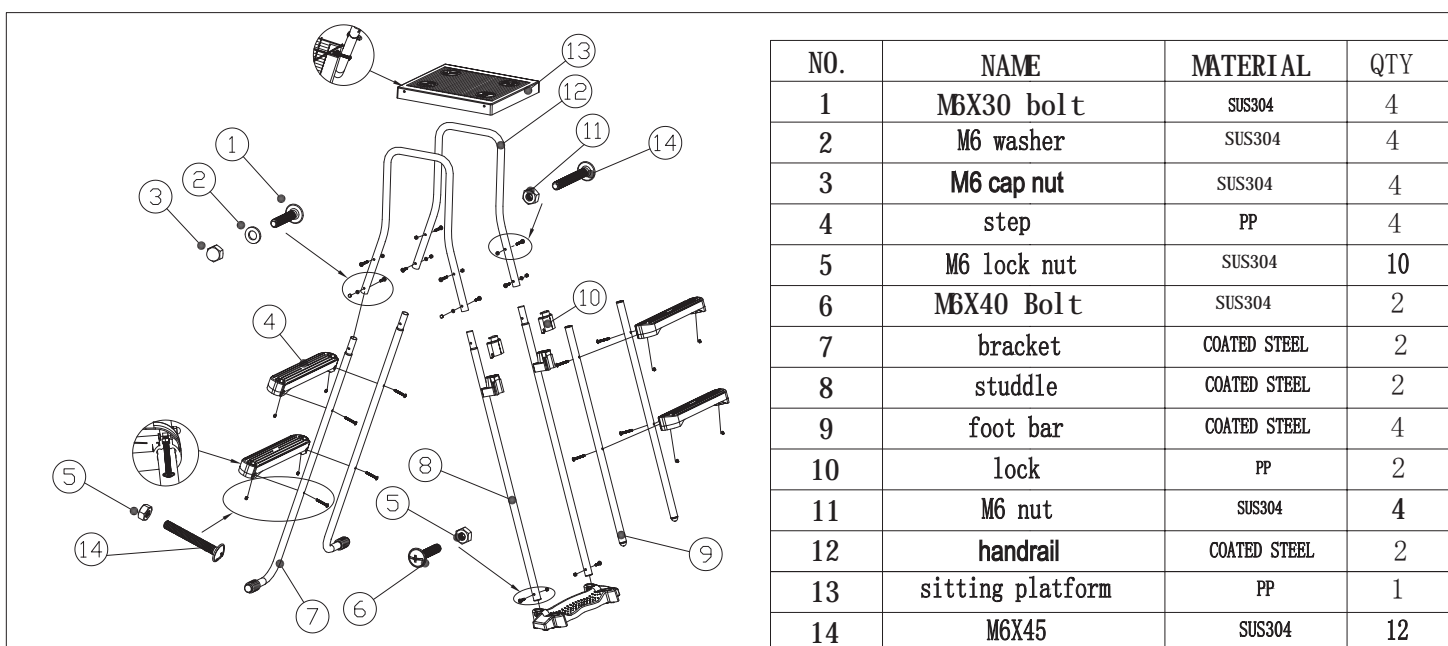
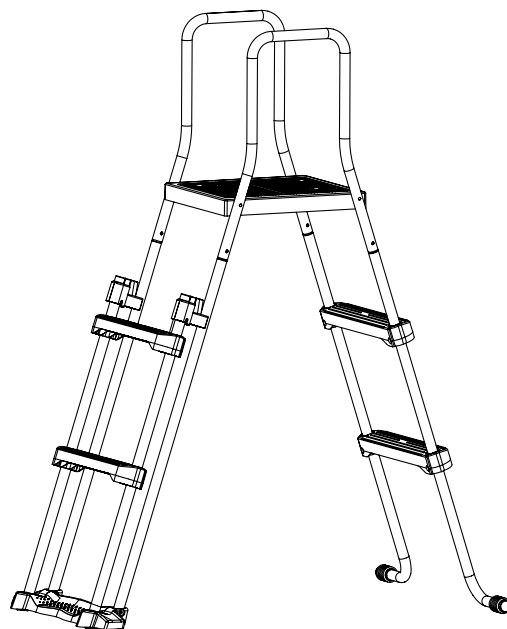
- Należy zachować odległość co najmniej 3,5 metra pomiędzy transformatorem a basenem.
- Instalację elektryczną powinien wykonać wykwalifikowany elektryk.
- Gdy basen nie jest używany, system filtrujący należy wyłączyć.
- NIE NALEŻY uruchamiać systemu filtrującego bez wody.
- Uruchomionego systemu nie należy dotykać mokrymi rękami.
- Przed obsługą filtra należy bezwzględnie odłączyć źródło zasilania.
- Filtr należy zawsze obsługiwać na suchej powierzchni.
- Filtra nie należy przechowywać w wilgotnym miejscu; grozi to porażeniem elektrycznym.
- Na filtrze nie mogą siadać ani kłaść się dzieci ani osoby dorosłe.
- W przypadku uszkodzenia kabla należy wymienić cały system.
- Wszelkie pytania można kierować do sprzedawcy lub na adres [info@swim-fun.com](mailto:info@swim-fun.com).

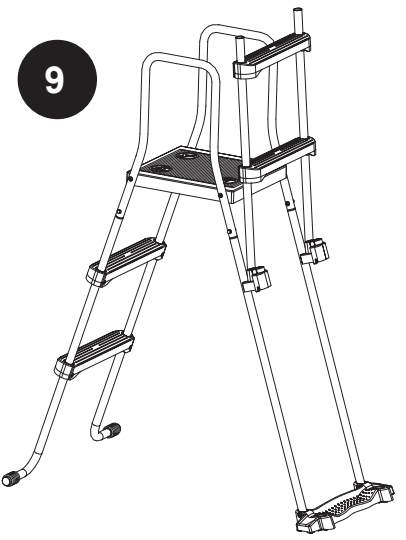
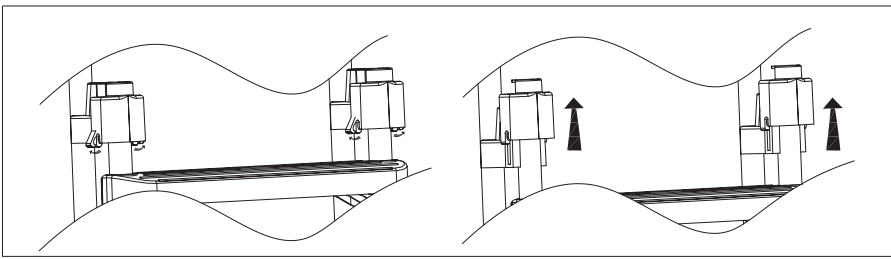
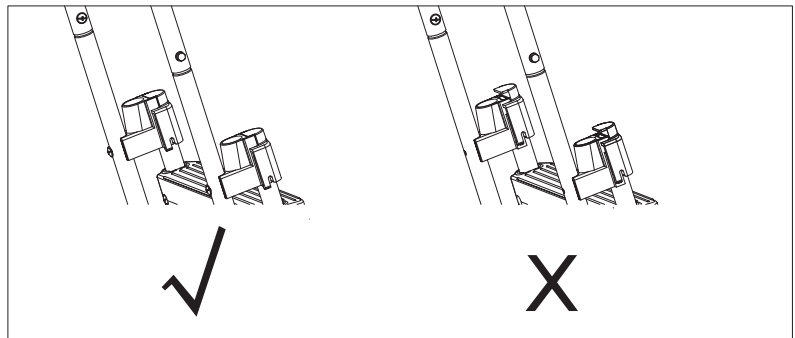
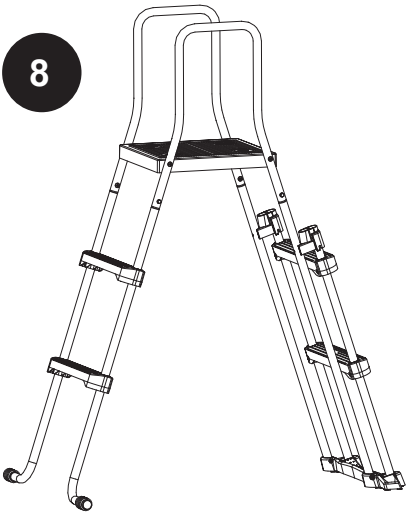
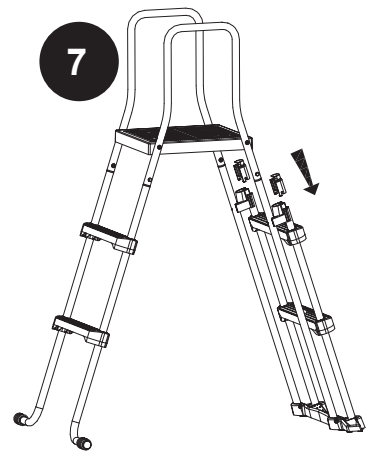
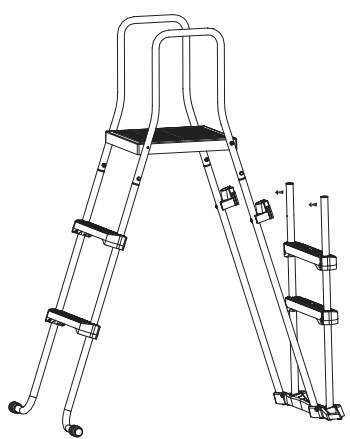
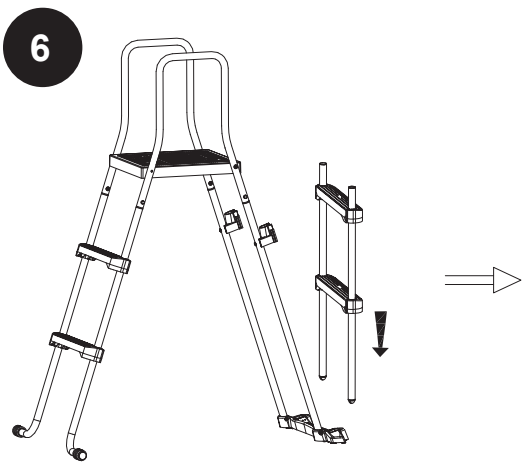
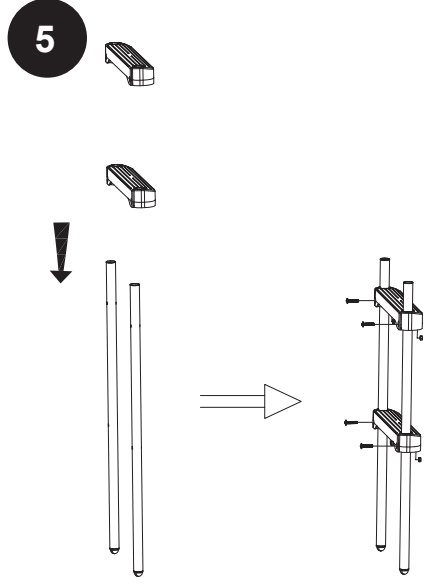
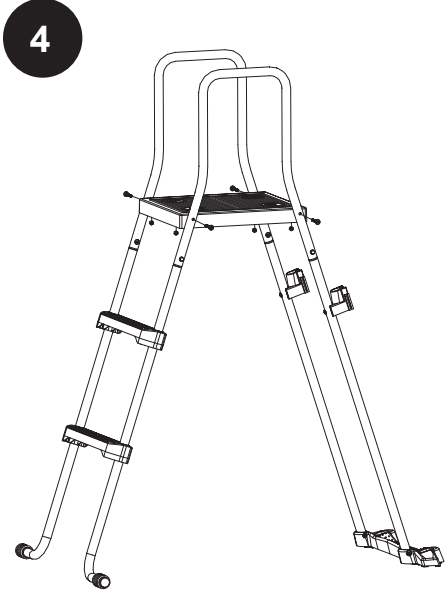


## VII. Drabinka

Wraz z basenem dostarczana jest drabinka.

Maksymalne obciążenie drabinki wynosi 85 kg.





*See list  
with necessary  
accessories  
on page 3*

## VIII. Dysza powrotna i filtr przelewowy zamontowany na stałe

*(opcjonalne — nie wchodzi w skład zestawu)*

Basen ogrodowy Kreta jest przygotowany do łatwej późniejszej rozbudowy o system z zewnętrznym filtrem piaskowym. Działający system z filtrem piaskowym o wydajności co najmniej 4 m<sup>3</sup>/h zapewnia lepszą czystość i klarowność wody, minimalizuje konieczność stosowania chemikaliów i umożliwia skuteczne czyszczenie dna basenu.

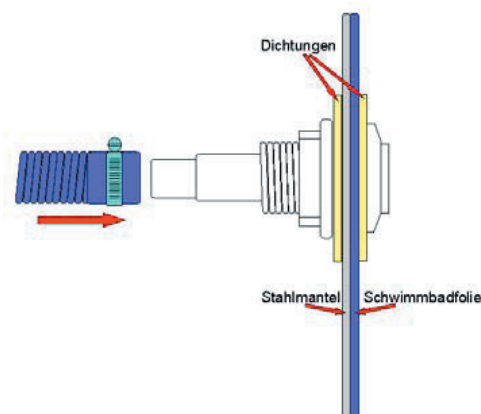
Starannie wytnij okrągły otwór w ścianie basenu i kwadratowy otwór na filtr przelewowy. Nie można tego zrobić przy powierzchni znajdującej się wewnątrz basenu, należy zatem najpierw delikatnie zdjąć powłokę z górnej szyny w tym miejscu, w przeciwnym razie konieczna będzie wymiana powłoki na nową. W przypadku montowania nowej powłoki, otwory w ścianie basenu należy wykonać przed zamontowaniem powłoki w basenie.

### Rura powrotna

Napełnij basen wodą do poziomu 5 cm poniżej okrągłego otworu na rurę powrotną.

Następnie wytnij krzyż w wykładzinie ostrym nożem uniwersalnym, nie tnąc poza obszarem otworu.

Zamontuj teraz dyszę rury powrotnej z 1 uszczelką od strony basenu na zewnątrz. Powstałe trójkąty nadmiaru wykładziny należy starannie i dokładnie odciąć wzdłuż zewnętrznego brzegu dyszy. Teraz załóż drugą uszczelkę z zewnętrznej strony basenu i dokręć dużą nakrętkę na zewnątrz uszczelki. Na gwintach zastosuj taśmę teflonową. Dysza powrotna musi być ciasno osadzona, nie wolno jednak przekręcić nakrętki (dokręcaj ostrożnie).



Jeśli dysza powrotna jest wyposażona w luźne złącze do zamontowania węża filtra, wówczas konieczne jest zastosowanie teflonu również na gwintach, na których montowane są części.

Po prawidłowym zainstalowaniu dyszy powrotnej można zamontować filtr przelewowy.

### Filtr przelewowy

Zdejmij z filtru przelewowego kwadratową zewnętrzną osłonę. Zwróć uwagę, że filtr przelewowy może być dostarczony z 2 sztukami pojedynczych uszczeltek lub jedną uszczelką podwójną.

### Montaż w przypadku dwóch uszczeltek filtra przelewowego

Weź z zestawu filtra przelewowego wewnętrzną kwadratową ramkę (twarde tworzywo sztuczne) oraz jedną z uszczeltek.

Włóż wkręt do każdego z górnych otworów.

Umieść ramę filtra przelewowego wewnątrz basenu i pchnij wkręty od wewnątrz na zewnątrz przez dwie perforacje lub odpowiednie otwory w ścianie basenu. W ten sposób nastąpi również przebicie powłoki. Wcześniej upewnij się, że rama filtra przelewowego i uszczelka są ustawione w prawidłowy sposób, tak by wszystkie otwory były ustawione równo względem siebie. Z drugiej strony ściany basenu należy zamontować drugą uszczelkę, po czym przykręcić wkręt do obudowy filtra przelewowego lub otworów na śruby.

W podobny sposób należy zamontować pozostałe śruby od wewnątrz basenu na zewnątrz przez uszczelki do obudowy filtra przelewowego. Przy prawidłowym zamontowaniu wszystkie otwory na śruby będą ustawione po kolei równo względem siebie.

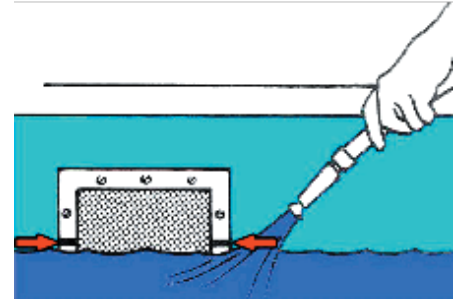
Upewnij się, że uszczelki filtra przelewowego są jednakowo zamontowane wzdłuż otworu z obu stron.

Dokręć wkręty równomiernie parami po przekątnej w celu zapewnienia wodoszczelności. Używaj wyłącznie ręcznego wkrętaka, uważając, by nie przekręcić gwintów (nie używaj elektronarzędzi!).

Używając ostrego noża, usuń powłokę wokół krawędzi wewnątrz otworu filtra przelewowego. Następnie jeszcze raz ostrożnie dokręć wkręty.

### **Montaż w przypadku uszczelki podwójnej**

Napełnij basen do poziomu ok. 5 cm poniżej perforacji filtra przelewowego. Ostrożnie wytnij odpowiedni otwór z perforacji w ścianie basenu. Zamontuj uszczelkę w perforacji filtra przelewowego w ścianie basenu, tak by spoczywała zarówno na powłoce, jak i ścianie basenu. Upewnij się, czy uszczelka znajduje się w jednej linii z otworami na śruby ze wszystkich czterech stron. Następnie za pomocą wkrętów przymocuj od wewnątrz wewnętrzną ramę filtra przelewowego do obudowy tego filtra.



*Szczegółowe informacje dotyczące filtracji, pielęgnacji wody, akcesoriów oraz przechowywania przez zimę można uzyskać u sprzedawcy basenu lub na stronie [www.swim-fun.com](http://www.swim-fun.com)*

## **IX. Informacje dotyczące wkopywania basenu.**

Oferowane przez nas baseny ze stalowymi ścianami są zasadniczo przeznaczone do użytkowania jako wolnostojące baseny ogrodowe. Z tego powodu należy pamiętać, że gwarancja na produkt nie obejmuje uszkodzeń spowodowanych nieprawidłowym montażem lub przypadkiem, gdy użytkowany basen jest wkopany w ziemię. Jeśli basen ma zostać wkopany, zaleca się powierzenie tego zadania profesjonalistom.

Jeśli chcesz wkopać basen, konieczne jest przestrzeganie następujących istotnych, nadrzędnych zasad:

### **Lokalizacja:**

Dowiedz się od lokalnych władz, czy na umieszczenie basenu w wybranym miejscu wymagane jest pozwolenie. Przed wybudowaniem i wkopaniem basenu zaleca się również kontakt ze swoim ubezpieczycielem. Właściciel basenu ma obowiązek poinformowania ubezpieczyciela o tym, że na danej posesji znajduje się basen.

### **Przygotowanie:**

Wybierz miejsce, w którym zostanie umieszczony basen.

W przypadku basenów okrągłych zaznaczenie powinno mieć średnicę o 1 metr większą od samego basenu. W przypadku basenów owalnych obszar powinien być dłuższy o 1 metr od długości basenu i 2 metry szerszy od jego szerokości.

### **Powierzchnia:**

Powierzchnia w miejscu umieszczenia basenu musi być jednolita, całkowicie gładka i w 100% twarda i solidna. W żadnym wypadku nie wolno posadzić basenu na miękkim lub grząskim podłożu, które może powodować osiadanie basenu pod ciężarem wody. Pamiętaj, że 1000 l => 1 m<sup>3</sup> => 1000 kg! W podłożu nie może być dziur, kamieni, roślin ani korzeni, które mogłyby przedziurawić powłokę.

Zaleca się wylanie podłoża o grubości 15 cm z betonu zbrojonego siatką. Powierzchnia taka powinna być całkowicie gładka i w 100% wyrównana.

Dla ochrony powłoki, należy zawsze umieścić warstwę bruku na wierzchu podłoża. Na dnie można również ułożyć dodatkową warstwę izolacyjną z płyt styropianowych o grubości 50 mm.

Wybierz dla basenu nasłonecznione miejsce, blisko wody, kanalizacji i elektryczności.



Nie umieszczaj basenu na przewodach elektrycznych, gazowych ani w miejscach z wysokim poziomem wód gruntowych.

Nie stawiaj basenu pod napowietrznymi liniami energetycznymi.

Wybierz miejsce osłonięte, gdzie w bezpośrednim pobliżu nie ma drzew, gdyż w przeciwnym razie do basenu będą wpadać liście. Filtr przelewowy basenu umieść tak, by wiatr w normalnych warunkach dmuchał w jego stronę.

Pamiętaj, że filtr basenowy i pompa muszą być zamontowane na poziomie dna basenu.

### **Wykop:**

Pamiętaj, aby przewidzieć lokalizację filtra przelewowego i rury powrotnej i je uwzględnić. Głębokość wykopu powinna być o 15 cm większa niż wysokość basenu. Jeśli więc wysokość basenu wynosi 120 cm, to jego głębokość powinna wynieść 135 cm.

### **Montaż — opcja 1: Wykonanie pokładu basenu z drewna**

Gdy podłoże jest gotowe, umieść basen w taki sam sposób, jakby stał swobodnie na ziemi. Zawsze zaleca się, by basen był całkowicie swobodny w podziemnym otworze i nie stykał się z innymi konstrukcjami. Z tego powodu poza płytą podłogową podłoże musi być wyrównane i nachylone na zewnątrz, aby po ściankach basenu nie spadała ziemia ani żwir, nawet przy intensywnych opadach itd. Z tego powodu basen musi być umieszczony w otworze w kształcie leja, z poziomą płytą podstawy. Wykonanie nachylonych ścian podłoża można przeprowadzić na różne sposoby. Mogą być one wykonane z muru z cegieł lub inaczej –nie ma to znaczenia. Należy jedynie zapewnić, by basen stał swobodnie w otworze. Należy zasięgnąć rady specjalisty od budownictwa w zakresie najbardziej odpowiedniego sposobu wykonania w danej lokalizacji.

Zaleca się wykończenie wkopywania poprzez wybudowanie drewnianego pokładu wokół całego basenu. Pokład ten można postawić na słupkach umieszczonych pierścieniowo w odległości około 20–30 cm od krawędzi basenu. W ten sposób uzyskuje się „podziemny” basen na poziomie gruntu z otaczającym pokładem, który umożliwi wygodne poruszanie i zapewni komfort kąpiel.

### **Opcja 2: Wybudowany na zewnątrz drewniany pokład basenu**

Można też zdecydować się na wkopanie basenu w bardziej tradycyjny sposób. Basen należy wówczas posadzić jak opisano powyżej na płycie podstawy i połączyć basen z systemem filtra zbrojonym elastycznym węzłem lub sztywną rurą. Filtr i pompę należy umieścić w oddzielnie wykopanej studzience, w której powinno być dostatecznie dużo miejsca na ich bezproblemową obsługę. Należy pamiętać o miejscu na filtr przelewowy i rurę powrotną i uwzględnić je w projekcie.

### **Instalacja:**

Postępuj zgodnie ze wskazówkami zawartymi w niniejszej instrukcji, stawiając basen tak samo, jak gdyby był wolnostojący. Basen jest połączony z systemem filtrującym za pomocą twardej rury PCW lub wzmocnionej tyczki.

Napełnij basen wodą. Napełniając basen wodą, zawsze używaj węża, aby powłoka wewnątrz basenu miała czas się rozciągnąć. Pamiętaj, aby nigdy nie napełniać basenu z hydrantu pożarowego, gdyż zbyt silny strumień może uszkodzić basen.

Pręt profilowany wokół ściany basenu pokryj kilkoma warstwami materiału izolacyjnego o grubości 20 mm (styropian). Izolację przymocuj taśmą. Osłona powinna całkowicie izolować ścianę basenu od jakiegokolwiek bezpośredniej styczności z piaskiem, betonem lub innymi materiałami.

Szczelinę pomiędzy terenem a krawędzią basenu należy wypełnić suchym betonem, będącym mieszaniną złożoną z 1/5 cementu i 4/5 drobnego żwiru. Pamiętaj, by wcześniej napełnić basen wodą. Pracę tę należy wykonywać etapami po ok. 30 cm naraz, za każdym razem wokół całego basenu. Nie ubijaj materiału, gdyż

może to powodować wgniecenia w ścianie basenu i odkształcenia.

Należy pamiętać, że w przypadku zdecydowania się na wkopanie owalnego basenu w taki sposób, należy zawsze przewidzieć ścianę oporową przy każdym boku basenu, aby zapobiec naporowi ziemi od zewnątrz.

### **Konserwacja basenu:**

Należy sprawdzać, czy basen jest w nienagannym stanie. Powłoka powinna być czysta, węże basenu prawidłowo podłączone, drabinka prawidłowo ustawiona, zaś system filtrujący ustawiony na optymalne działanie.

Należy pamiętać o sprawdzeniu prawidłowego ustawienia poziomu PH i zawartości chloru, aby woda pozostała świeża i odkażona.

## **X. PRZYGOTOWANIE NA ZIMĘ**

Po zakończeniu lata lub sezonu kąpielowego, należy przygotować basen na zimę zgodnie z poniższymi instrukcjami.

### **Ważne!**

Niezastosowanie się do powyższych zaleceń w zakresie przygotowania na zimę może spowodować unieważnienie gwarancji

oraz poważne uszkodzenie basenu przez mróz.

### **1. Obniż poziom wody w basenie.**

Obniż poziom wody w basenie, aż w przewodzie powrotnym pozostanie ok. 15 cm wody. Włóż zimowy korek (poz. 1519) w dyszę przepływu powrotnego. Odłącz wszelkie węże dołączone do filtra przelewowego i pompy. Upewnij się, że z filtra przelewowego wypłynęła cała woda i powstał drożny kanał na spuszczenie wody.

### **2. Sprawdź wszystkie łączenia i śruby.**

Upewnij się, że wszystkie połączenia ramy są prawidłowo zamocowane. Sprawdź, czy ściana basenu nie wysunęła się z dolnej szyny. Upewnij się, że wszystkie wkręty i śruby są prawidłowo dokręcone.

### **3. Upewnij się, że nie ma rdzy.**

Zardzewiałe miejsca pomaluj farbą antykorozyjną.

### **4. Sprawdź stan powłoki basenu.**

Upewnij się, że górna część powłoki jest prawidłowo zamontowana do ściany basenu z plastikową listwą. Nie wyjmuj powłoki z basenu. Zdemontowanie powłoki może spowodować unieważnienie gwarancji. Nie wylewaj całej wody z basenu.

### **5. Sprawdź, czy nie ma dziur.**

Sprawdź, czy w powłoce nie ma dziur. Załataj wszelkie dziury, używając zestawu do naprawy opon. Nawet niewielkie otwory mogą spowodować zimą duże uszkodzenia basenu.

### **6. Akcesoria do basenu.**

Wyjmij z basenu wszystkie akcesoria, włączając drabinkę. Filtr przelewowy pozostaw zamontowany. Upewnij się, że filtr przelewowy jest zamknięty, zaś otwór w dnie otwarty, aby umożliwić odpływ wody.

## 7. Czyszczenie

Dodaj odpowiedni składnik do wody w basenie po czyszczeniu i dodaniu chloru. Zapobiega on osadzaniu się wodorostów i kamienia w basenie.

## 8. Filtr.

Odłącz od filtru węże biegnące od basenu. Wylej z filtru piaskowego całą wodę i schowaj na zimę w miejscu nie narażonym na mróz.

## 9. Zminimalizuj potencjalne uszkodzenia spowodowane przez silne oblodzenie.

Należy zastosować elastyczne „lodołamacze” na powierzchni wody, aby zapobiec tworzeniu się zwałów lodu w basenie, powodujących uszkodzenie powłoki (uszkodzenie takie NIE podlega gwarancji). „Lodołamaczami” mogą być na przykład puste plastikowe pojemniki lub plastikowe butelki o ciężarze dopasowanym za pomocą kamyków itp. tak, by unosiły się na powierzchni wody. Do obciążania nie używaj wody, gdyż woda zamarza przy ujemnych temperaturach.

## 10. Zakryj basen na zimę plandeką

Aby uniknąć obecności w basenie nadmiernej ilości zanieczyszczeń oraz warunków sprzyjających rozwojowi wodorostów i bakterii, basen należy zakryć na zimę ciemną plandeką.

**Szczegółowe informacje dotyczące filtrowania i pielęgnowania wody, przygotowania na zimę oraz akcesoriów mm są dostępne u lokalnego sprzedawcy basenów lub na stronie [www.swim-fun.com](http://www.swim-fun.com).**

# XI. Gwarancja

Okres gwarancji jest określony w stosownych przepisach prawnych dot. kupna-sprzedaży obowiązujących w Danii. Okres gwarancji rozpoczyna się od daty zakupu podanej na dowodzie zakupu. Dowód zakupu musi być okazany obsłudze technicznej w czasie trwania okresu gwarancyjnego. Z tego powodu ważne jest, aby zachować dowód zakupu.

Gwarancja nie obejmuje naturalnego zużycia eksploatacyjnego, zarysowań, przetarć oraz powierzchniowych uszkodzeń. Gwarancja nie obejmuje także uszkodzeń spowodowanych przez:

- niewłaściwe użytkowanie lub obsługę,
- upadek lub wstrząs,
- naprawy, zmiany itp. dokonane przez inne osoby niż obsługa techniczna firmy Swim & Fun Scandinavia.

W przypadku reklamacji, należy skontaktować się ze sprzedawcą. W przypadku dostawy uszkodzonego produktu, należy produkt zapakować w sposób chroniący przed uszkodzeniami w transporcie. Klient ponosi odpowiedzialność za bezpieczne dotarcie produktu na miejsce. Podaj imię, nazwisko, adres, numer telefonu i ew. e-mail. Zawsze pamiętaj, aby powiedzieć, co jest nie tak.

**Więcej informacji i wskazówek można znaleźć na naszej witrynie internetowej: [www.swim-fun.com](http://www.swim-fun.com)**

**Ta instrukcja jest chroniona prawami autorskimi**

**Swim & Fun Scandinavia – gorąca linia:**

**Dania +45 7022 6856**

**Szwecja +46 771 188819**

## XII. Akcesoria

### Wykładzina na podłoże



### Wykładzina na podłoże

Nie zapomnij! Przed postawieniem basenu należy rozłożyć pod basenem wykładzinę. Wykładzina chroni przed ścieraniem mechanicznym i przedziurawieniem od dołu przez drobne kamienie lub korzenie. Dzięki wykładzinie również chodzenie po dnie basenu jest wygodniejsze.

Pozycja: 1566 Ground cover Ø3,50M  
Pozycja: 1620 Ground cover Ø4,60M



### Plandeka letnia

Plandeka letnia izoluje basen, dzięki czemu nie ma dużych strat ciepła spowodowanych przez chłodne powietrze w nocy. Plandeka pozwala utrzymać temperaturę w basenie, a nawet wydłużyć sezon kąpielowy. Zabezpiecza ona również przed dostawaniem się liści oraz zanieczyszczeń z powietrza do basenu. Jeśli do basenu dołączony jest kolektor słoneczny, to letnia plandeka jest koniecznym elementem. Należy ją kłaść na powierzchni wody, stroną z pęcherzykami powietrza w dół.

Pozycja: 1564 Sommercover Ø3,50M  
Pozycja: 4925 Sommercover Ø4,60M



### Plandeka na zimę

Plandekę na zimę należy stosować w sytuacji, gdy w basenie nikt już się nie kąpie. Zabezpiecza ona również przed dostawaniem się liści oraz za-

nieczyszczeń z powietrza do basenu. Zamocuj plandekę wokół basenu za pomocą dostarczonej w zestawie linki zabezpieczającej i zaciśnij. Dodatkowo basen chroniony jest przed niepowołanym dostępem — mimo to nie jest to tak naprawdę osłona bezpieczeństwa. Plandeka może być też wykorzystywana w sytuacjach, gdy basen nie jest użytkowany przez dłuższy okres w innych porach roku.

Pozycja 1581 Winter cover Ø3,50M  
Pozycja 1607 Winter cover Ø4,60M



### Tyczka do konserwacji

3-częściowa, 1,20–3,60 m, teleskopowa

Pozycja: 1515



### Głowica podciśnieniowa do basenu

Do czyszczenia dna basenu. Można podłączyć do standardowego węża ogrodowego. Zalecane do basenów bez systemu z filtrem piaskowym. Można montować na tyczce do konserwacji (1515).

Pozycja: 1514



### Grabie do liści

Do zgarniania z powierzchni wody liści, zanieczyszczeń itd. Można montować na tyczce do konserwacji (1515).

Pozycja: 1506



### Grabie głębokie do liści

Do czyszczenia dna basenu z liści, zanieczyszczeń itd. Można montować na tyczce do konserwacji (1515).

Pozycja: 1507



### Szczotka do ściany

Bardzo duża i miękka szczotka do basenu. Do czyszczenia powłoki. Można montować na tyczce do konserwacji (1515).

Pozycja: 1504



### Dozownik chloru do basenu

Służy do dozowania wolno rozpuszczających się tabletek z chlorem (20 g). **Specjalny model z zabezpieczeniem przed dziećmi!**

Pozycja: 1567



### Termometr

Wskazuje temperaturę wody w basenie.

Pozycja: 1527

**Aby ZMODERNIZOWAĆ basen KRETA przez zastosowanie systemu z filtrem piaskowym, wymagane są dodatkowo następujące elementy:**



### Zestaw filtru przelewowego do basenu.

Filtr przelewowy do zamontowania w ścianie basenu (ściana basenu jest już przygotowana). W zestawie z filtrem przelewowym dostarczany jest wlot przewodu powrotnego.

Pozycja: 1533



### Siatka do filtru przelewowego

Siatka skutecznie wylapuje liście, włosy itp. w filtrze przelewowym. Może również ograniczyć konieczność stosowania substancji chemicznych i wody. Przy korzystaniu z siatki nie ma potrzeby równie częstego płukania systemu z filtrem piaskowym.

Pozycja 1549 (5 szt.)



### Wąż do basenu

Elastyczny wąż do basenów wolnostojących. Rozmiar Ø32 mm i Ø38 mm. Oba rozmiary można stosować w systemie filtra przelewowego i piaskowego SWIM & FUN.

Pozycja: 1582 wąż basenowy Ø32 mm, 6,6 m (można przyciąć na odcinek 1,20 m).

Pozycja: 1542 wąż basenowy Ø38 mm 9 m (można przyciąć na odcinek 1,50 m).



### System z filtrem piaskowym

System 1044 z filtrem piaskowym ma wydajność czyszczenia 4500 litrów na godzinę. Filtr piaskowy skutecznie czyści wodę, a pompa może również służyć do odsysania z dna basenu lub wymuszania obiegu wody przez kolektor słoneczny. Filtr piaskowy oczyszcza się samoczynnie, zaś piasku nie trzeba wymieniać w trakcie sezonu.

Pozycja 1044



### Filterballs

for Sand Filer Systems in stead of sand. 700g = 25 kg sand,

Pozycja 1069



### Piasek do filtra

Specjalny piasek do systemów filtrów piaskowych (ziarnistość 0,4–0,8 mm).

Pozycja 1536: bag of 25 kg.



### Głowica podciśnieniowa do basenu

Do czyszczenia dna basenu. Obciążona szczotkami, polecana przy stosowaniu systemu z filtrem piaskowym.

Pozycja 1513

## Akcesoria na zimę

### Akcesoria zapobiegające uszkodzeniu basenu przez mrozy.



### Zimowa osłona na filtr przelewowy

Osłonę można założyć na filtr przelewowy na zimę. Pochłania dodatkowy nacisk powodowany przez oblodzenie filtra przelewowego.

Pozycja: 1612



### Lodołamacz do basenu

Lodołamacz są umieszczane na całej powierzchni basenu. Pływając na powierzchni, pochłaniają one napór lodu i redukują uszkodzenia powłoki powodowane przez mróz.

Pozycja: 1613



### Zimowy korek na wylot przewodu powrotnego

Korek do zatkania wylotu, gdy konieczny jest demontaż węży.

Pozycja: 1519





## Zawór odcinający

Należy zastosować 2 szt. Jeden zawór przeznaczony jest do filtru przelewowego, a drugi do dyszy powrotnej.

Pozycja: 1555

## Pielęgnacja wody

Podstawowe produkty do pielęgnacji wody w basenie:



### pH Minus

Środek pH Minus należy używać w miarę potrzeby, gdy poziom pH jest powyżej idealnego poziomu 7,0–7,4.

Pozycja: 1714 -1,5 kg.



### pH Plus

Środek pH Plus należy używać w miarę potrzeby, gdy poziom pH jest poniżej idealnego poziomu 7,0–7,4.

Pozycja: 1712 -1,5 kg.



### Klor Starter

Szybkie i skuteczne odkażanie wody przy napełnionym basenie. Można stosować regularnie

w sezonie kąpielowym do błyskawicznego uzdatnienia wody.

Pozycja: 1701 -1 kg.



### Klor Weektab

Wolno rozpuszczające się tabletki z chlorem o masie 20 g pozwalają zachować czystość wody latem.

Pozycja: 1737 -1 kg.



### Combi tabs

Uniwersalne tabletki Combitab 20 g niezawierające chloru, typu „3 w 1”. Najlepsze tabletki do uzdatniania wody bez użycia chloru.

Pozycja: 1758



### Pool Test Strips

Paski testowe do łatwego pomiaru poziomu pH / zawartości chloru.

Pozycja: 1737 – 50 stk.



### Klar Pool

Służy do niszczenia wodorostów i zapobiegania ich rozwojowi w basenie. Zapobiega zmianie koloru wody.

Pozycja: 1716 -1 l.



### Easy Pool

Easy Pool stanowi łatwą i prostą alternatywę dla wolno rozpuszczających się tabletek z chlorem i produktu Clear Pool.

Produkt do jednorazowego użycia — wystarcza na 1–2 miesiące.

Pozycja: 1775 – mini  
Pozycja: 1776 - maxi





MV-1543/1606-3-2019

**Manual (UK-DK-NO-SE-FI-PL)**

© All rights reserved Swim & Fun Scandinavia ApS 2015