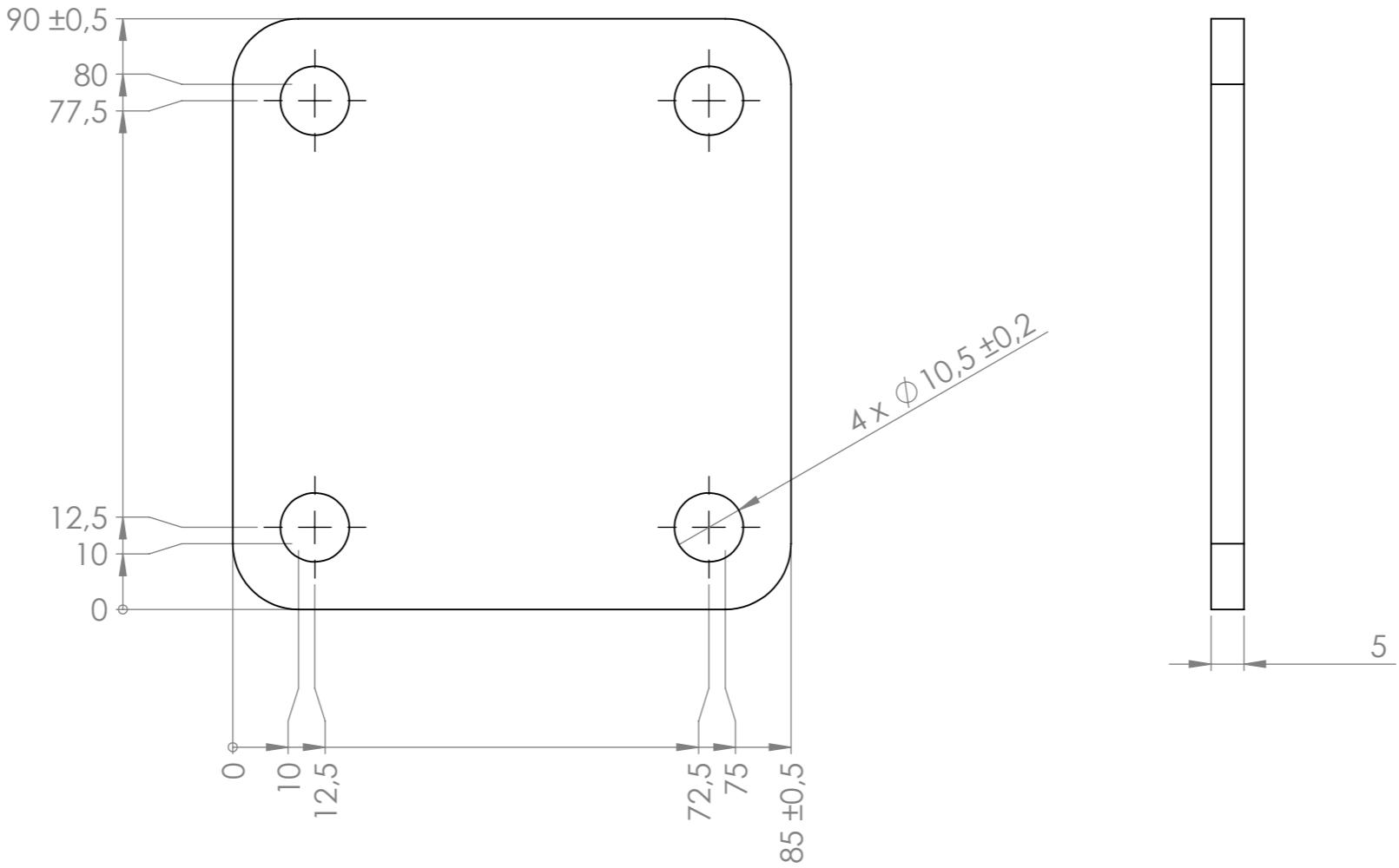
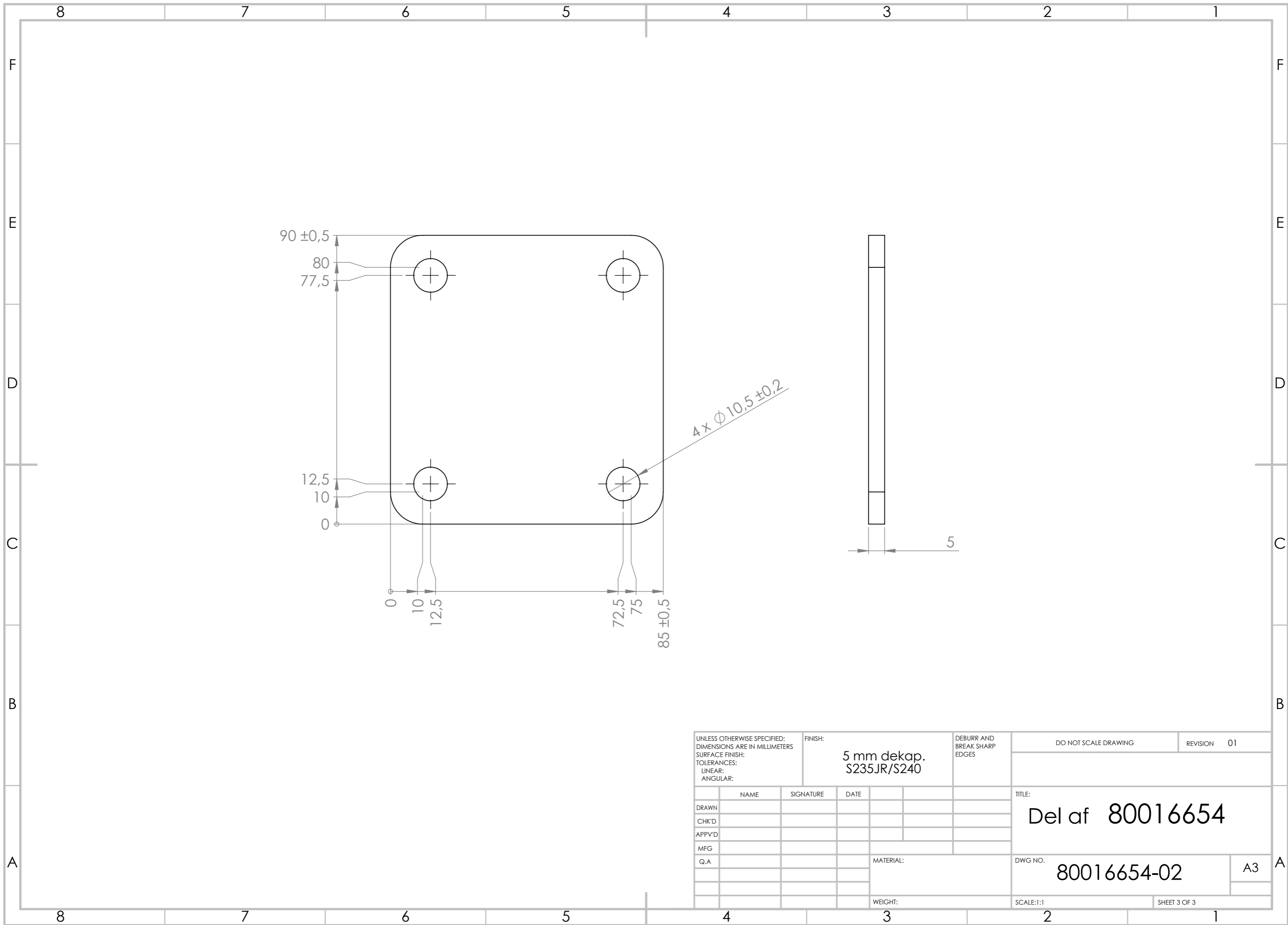


UNLESS OTHERWISE SPECIFIED: DIMENSIONS ARE IN MILLIMETERS		FINISH: Varm galvaniseret		DEBURR AND BREAK SHARP EDGES		DO NOT SCALE DRAWING		REVISION 01	
SURFACE FINISH:									
TOLERANCES:									
LINEAR:									
ANGULAR:									
	NAME	SIGNATURE	DATE			TITLE: Beslag til parasol			
DRAWN									
CHK'D									
APPV'D									
MFG									
Q.A					MATERIAL:	DWG NO. 80016654		A3	
					WEIGHT:	SCALE:1:2		SHEET 1 OF 3	



UNLESS OTHERWISE SPECIFIED: DIMENSIONS ARE IN MILLIMETERS			FINISH: 5 mm dekap. S235JR/S240		DEBURR AND BREAK SHARP EDGES		DO NOT SCALE DRAWING		REVISION 01	
SURFACE FINISH:										
TOLERANCES:										
LINEAR:										
ANGULAR:										
		NAME	SIGNATURE	DATE			TITLE: Del af 80016654			
DRAWN										
CHK'D										
APPV'D										
MFG										
Q.A					MATERIAL:		DWG NO. 80016654-02		A3	
					WEIGHT:		SCALE:1:1		SHEET 3 OF 3	