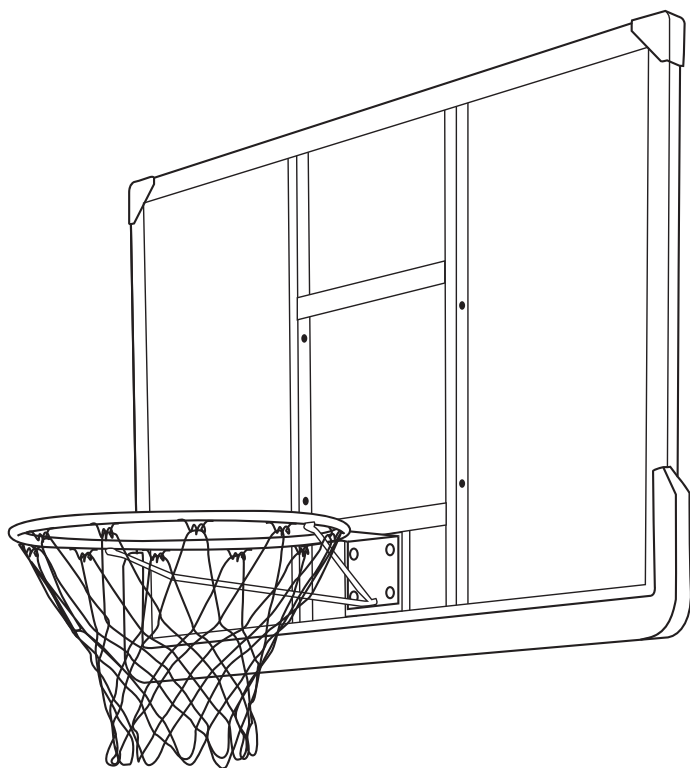


BACKBOARD AND RIM SYSTEM

.INSTRUCTION.

ZY-010

ZY-011



PREPARATION

PLEASE READ THIS PAGE CAREFULLY

Remove all parts and hardware from the carton and place them on a clean soft surface. Check carefully to make sure nothing is missing. Dispose of all packaging materials properly. Please recycle.



SAFETY INSTRUCTIONS



FAILURE TO FOLLOW THESE SAFETY INSTRUCTIONS MAY RESULT IN SERIOUS INJURY OR PROPERTY DAMAGE AND WILL VOID WARRANTY.

Owner must ensure that all players know and follow these rules for safe operation of the system.

To ensure safety, do not attempt to assemble this system without following the instructions carefully. Check entire box and inside all packing material for parts and/or additional instruction material. Before beginning assembly, read the instructions and identify parts using the hardware identifier and parts list in this document. Proper and complete assembly, use, and supervision are essential for proper operation and to reduce the risk of accident or injury. A high probability of serious injury exists if this system is not installed, maintained, and operated properly.

- If using a ladder during assembly, use extreme caution.
- Check base regularly for leakage. Slow leaks could cause the system to tip over unexpectedly
- Seat the pole sections properly (if applicable). Failure to do so could allow the pole sections to separate during play and/or during transport of the system.
- Climate, corrosion or misuse could result in system failure.
- If technical assistance is required, contact Customer Service.
- Minimum operational height is 6' 6" (1.98m) to the bottom of backboard.

Most injuries are caused by misuse and/or not following instructions.

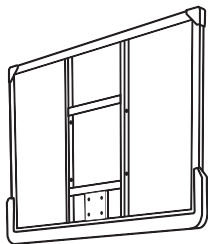
Use caution when using this unit.



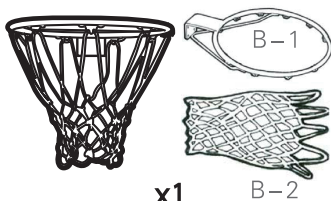
WARNING



- Manufacturer recommends filling the base with sand, not water. If you choose to use water, ALWAYS check for leaks. Leaking water will lighten the base and cause the system to become unstable and tip over.
- Empty water completely from the base, or add 2 gallons (7.57 liters) of anti-freeze, before the temperature approaches or falls below the freezing point. Freezing water may crack the base and cause leaks. This will result in failure of the system, and could result in serious injury.
- For residential use only! NOT for commercial use! DO NOT use this product for other than its intended purpose. Any commercial, public, or institutional use voids all warranties.

A Backboard

x1

B Rim/Net

x1

C Spring Washer

x4

D Wall Mount Brackets

x2

E V-Bracket

x1

F Spring

x2

M8 x16mm

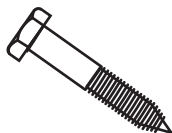
**2**

x2

G Spring Cap

x2

M10x80mm

**3**

x4

H Lock Nut

M8 x8

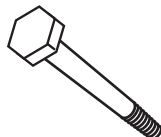
M8 x40mm

**4**

x4

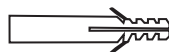
I WasherM8 x16
M10 x4

M8 x100mm

**5**

x2

M14 x70mm

**1**

x4

M8 x50mm

**6**

x2

Do...

Keep your face and mouth away from the rim and net during play. If your teeth or face come into contact with the rim and net, serious injury can occur.

When adjusting the height or moving the system, keep your fingers and hands away from the moving parts.

Ensure the surface beneath the base is flat and free of stones, gravel, or any other debris which may puncture the base. If leakage occurs the system may topple over.

Check system before each use for loose fittings, wear and tear or any other signs of instability. Tighten any loose fittings.

Keep water and organic material away from the pole. The pole could rust and fall.

Once a month check the pole and all metal parts for rust.

Do Not...

Do not hang from the rim.

Do not wear jewellery during play, it may become entangled with the net.

Do not slide or climb onto the base or pole.

Do not leave the system standing upright without having filled the base with water or sand.

Do not allow children to adjust the height or move the system.

Do not use the system in windy or severe weather conditions. System may tip over. Place system in an area protected from the wind or in an area away from property that may be damaged if the system falls.

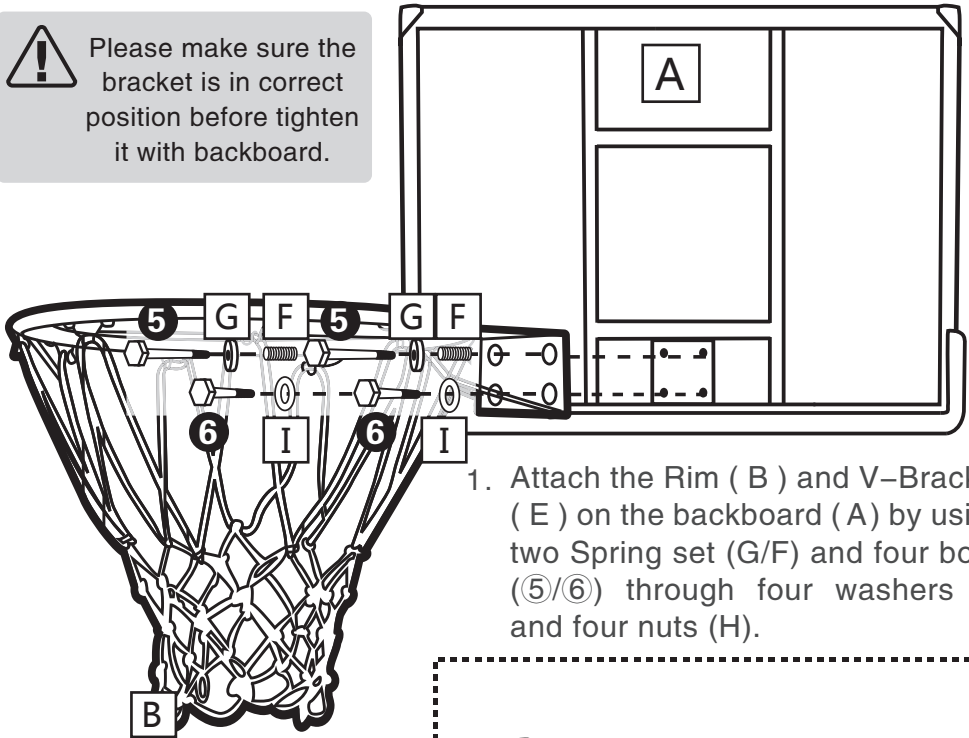
Do not use near overhead power lines.

Do not hang anything off the rim or backboard and do not use the system to lift or hoist anything.

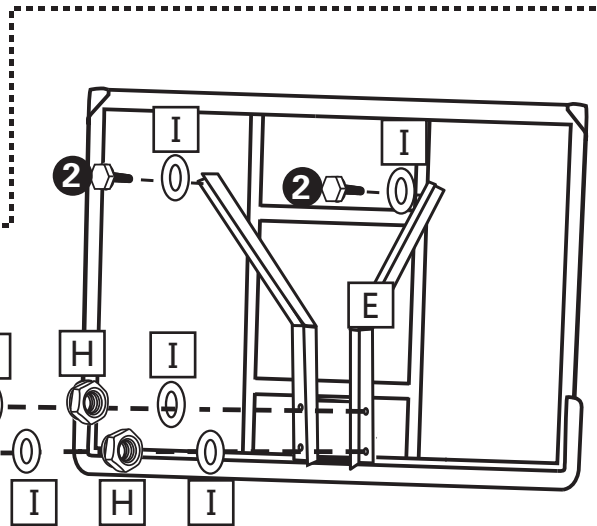
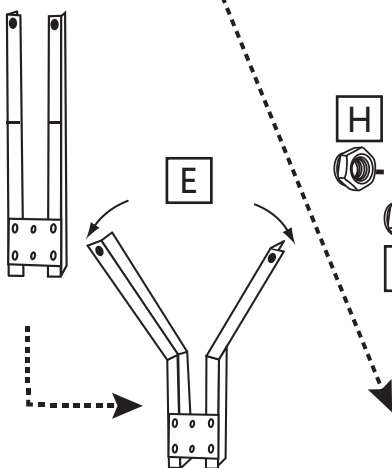
STEP 1



Please make sure the bracket is in correct position before tighten it with backboard.



1. Attach the Rim (B) and V-Bracket (E) on the backboard (A) by using two Spring set (G/F) and four bolts (⑤/⑥) through four washers (I) and four nuts (H).



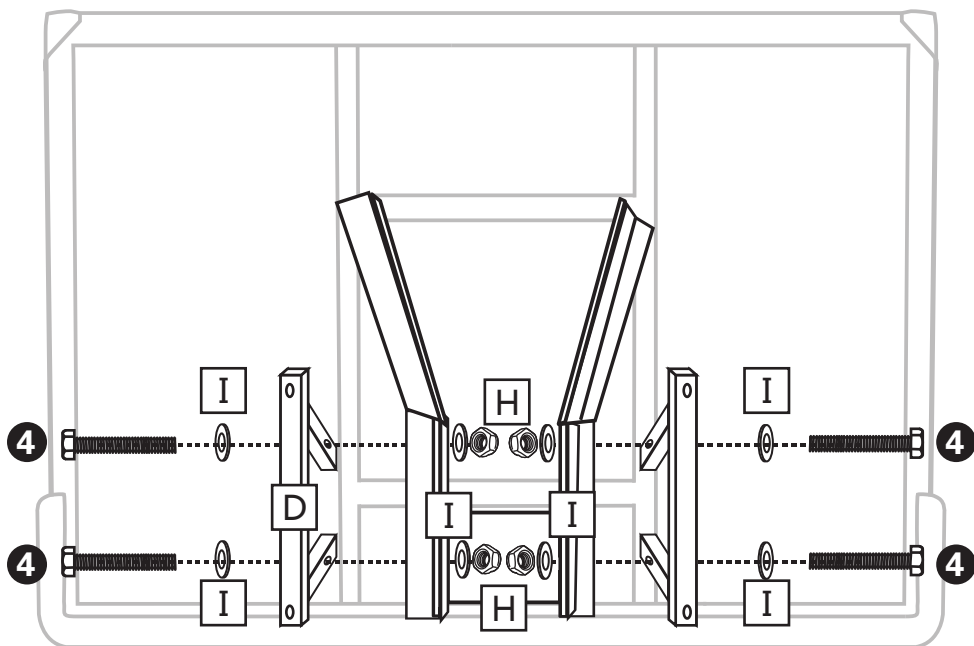
2. Open the V-Bracket to align at the joint of the backboard, secure it with two bolts (②) and two washers (I).

STEP 2

Net and Rim assembly

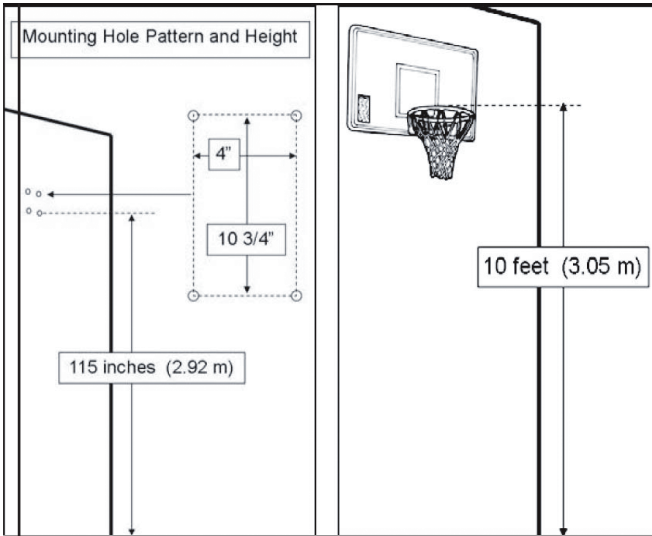


Find loops at top edge of net (B-2). Hook one loop over and around center of rim hook (B-1). Pull loop down to secure loop within rim hook. Repeat for remaining net loops.



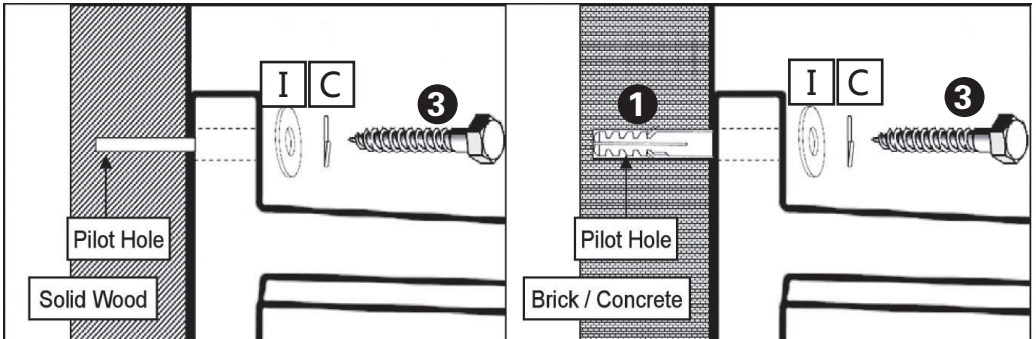
1. Attach the wall mount brackets (D) with V-bracket (E) by using four bolts (4) and eight washers (I) with four lock nuts (H) .

STEP 3



Proper Mounting Height:

The wall mount brackets have 4 holes to receive wall mounting fasteners. The mounting holes are positioned as shown in the pattern at the right. Mark the location of the two bottom holes approximately 115 inches above the playing surface, and 4" apart. Mark the two upper holes 10 3/4" above the two bottom holes. The rim height will be 10 ft. You may adjust the height according to your needs. However, please see the warning in the Important Safety Information on Page 3: The required minimum height from the playing surface is at least 6 ft. 6 in. (2 m).



Solid Wood: Drill 1/8" pilot hole at all four marks. Thread M10 lag bolt through lock washer, M10 flat washer, and wall mount bracket and into each pilot hole. **Solid Brick/Concrete:** Drill 7/16" pilot hole at all four marks. Tap wall anchors into each hole with hammer. Thread M10 lag bolt through lock washer, M10 flat washer, and wall mount bracket and into each pilot hole. Tighten securely.