



Basketballstander PRO/PRO safe



 **WARNING**
CHOKING HAZARD
small parts
Adult assembly required
retain for future
reference



Sikkerhedsadvarsel

Læs alle instrukser og færdiggør samlingen før brug. Hvis basketballstanderen er samlet og bruges korrekt, kan den bruges til mange timers sjov og træning.

Tjek basketballstanderen før hvert brug. Hvis dele er slidte, i stykker eller manglende så udskift disse. Spænd dele der måtte være løse.

Hav altid opsyn af en voksen hvis børn benytter basketballstanderen.

Lad aldrig et barn klatre på basketballstanderen, da dette kan få den til at vælte og kan forårsage alvorlige skader på barnet.

OBS! Basketballstanderen kan vælte i blæsevejr.

Da rørene er elektrisk ledende, må elektriske dele aldrig komme i kontakt med basketballstanderen. Dette inkluderer bl.a. lamper, forlængerledninger og andet elektrisk udstyr.

Samlingsadvarsel

Saml aldrig basketballstanderen i voldsomt regnvejr, blæst, storm eller lignende forhold.

Når basketballstanderen skal flyttes, bør mindst to personer løfte den og med en lige vægtfordeling. Placér basketballstanderen på en plan overflade ved ethvert brug.

Frigør pladsen omkring basketballstanderen, så der ikke hænger ledninger, grene eller er andre forhindringer i nærheden.

Vedligeholdelse

Tjek basketballstanderen før hvert brug.

Følgende forhold kan potentielt udgøre fare:

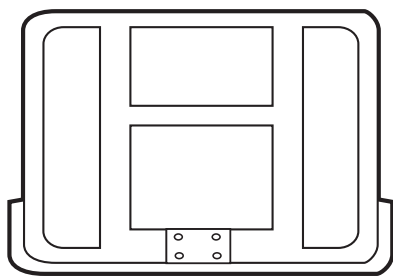
1. Manglende, forkert eller usikker samling af basketballstanderen.
2. Hvis nettet er hullet, flosset eller ødelagt.
3. Bøjet eller brækket rør.
4. Udstikkende skarpe dele.
5. Løse eller manglende dele af basketballstanderen.

Før samling af basketballstanderen

1. Der skal være 2 personer til at samle basketballstanderen.
2. Lad ikke basketballstanderen stå frit, før sandet er påfyldt i basen.
3. Brug ikke vand da dette vil sive ud af sandbasen.
4. Denne basketballstander er godkendt til at "dunke" i, da den har fjedre ved kurven.

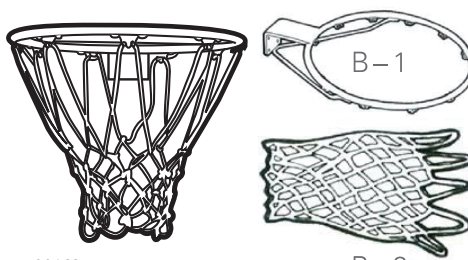
Indhold

A Bagplade 80016189



x1

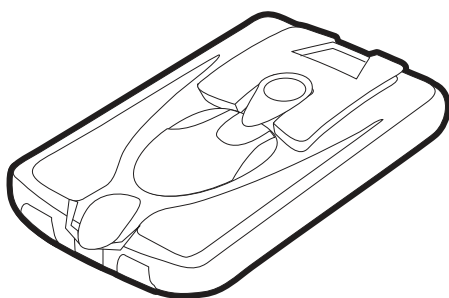
B Kurv og net



Kurv 801635
Net 425824

x1

C Sandbase 801624



x1

D Nederste rør
801620



x1

E Midterste rør
801670



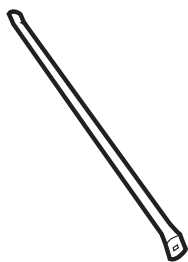
x1

F Toprør
801622



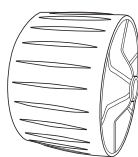
x1

G Supportstang 801623



x2

H Hjul 801674



x2

I Hjulaksel 801675



x1

J V-beslag 801625



x1

K U-beslag 801639



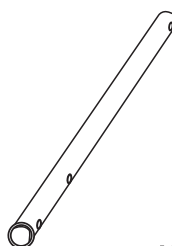
x1

M Dæksel toprør 801669



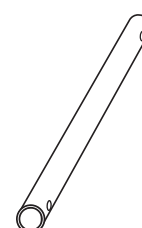
x1

O Nederste arm (lang)
801647



x2

P Øverste arm (kort)
801638



x2

L Dæksel 801669



x1

N Fjeder 801669



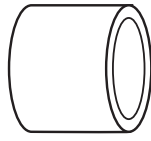
x2

Q Cylinder 801636



x1

R Plastikrør (lang) 801669



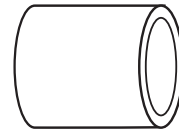
x8

S Håndtag 801669



x1

T Plastikrør (kort) 801669



x2

U Konsolrør 801669



x2

V Låsemøtrik 801669



x17

M5 x1 M10 x2
M8 x9 M12 x5

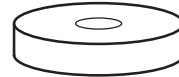
W Skive 801669



x35

M5 x1 M10 x4
M8 x20 M12 x10

X Fjederskive 801669



x2

Låsemøtrik detaljer

V-1 M5



x1

V-2 M8



x9

V-3 M10



x2

V-4 M12



x5

Skive detaljer

W-1 M5



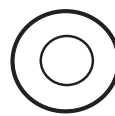
x1

W-2 M8



x20

W-3 M10



x4

W-4 M12



x10

M10 x90mm



1

x2

M8 x16mm



2

x4

M8 x20mm



3

x2

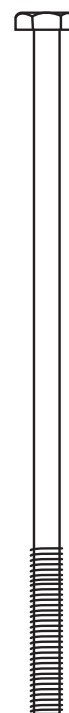
M8 x100mm



4

x2

M12 x180mm



6

x5

M8 x 40mm



5

x2

M8 x 65mm



7

x1

M5 x 25mm



8

x1

M8 x 90mm

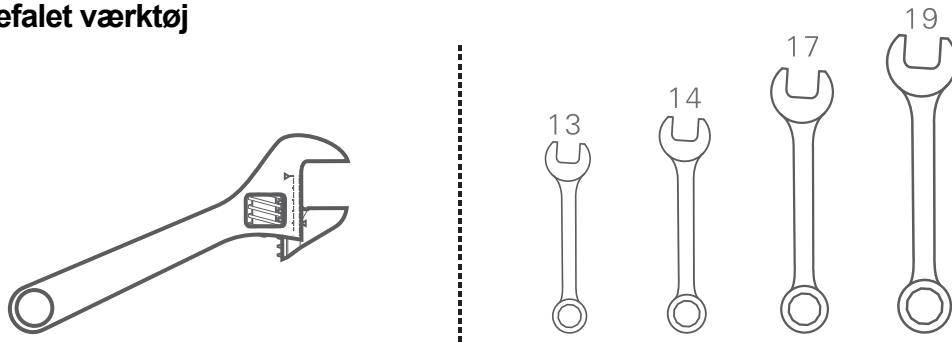


9

x2

Obs! Billederne af skruerne/boltene er kun vejledende. Gevindet kan variere i forhold til tegningerne.

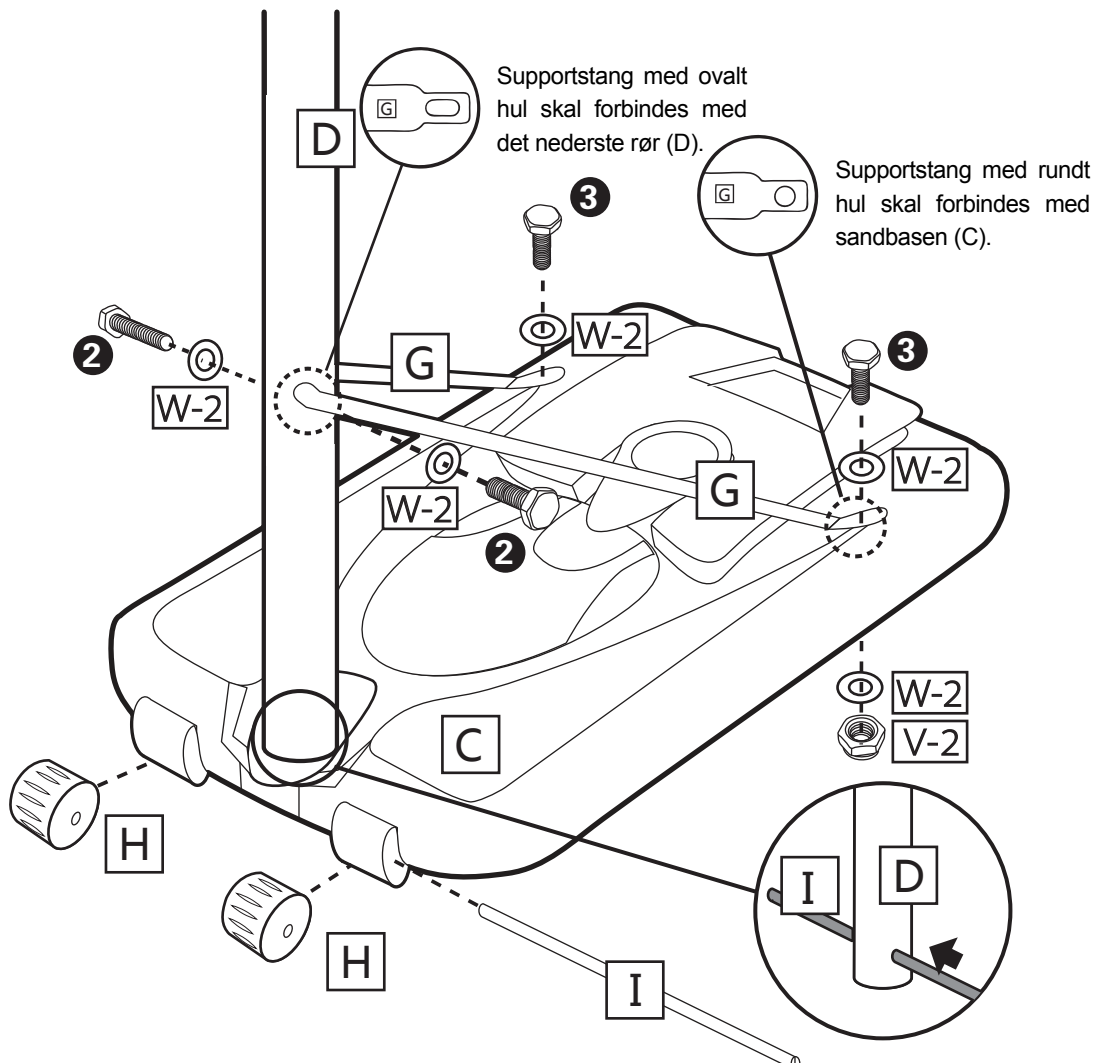
Anbefalet værktøj



Samling af basketballstanderen

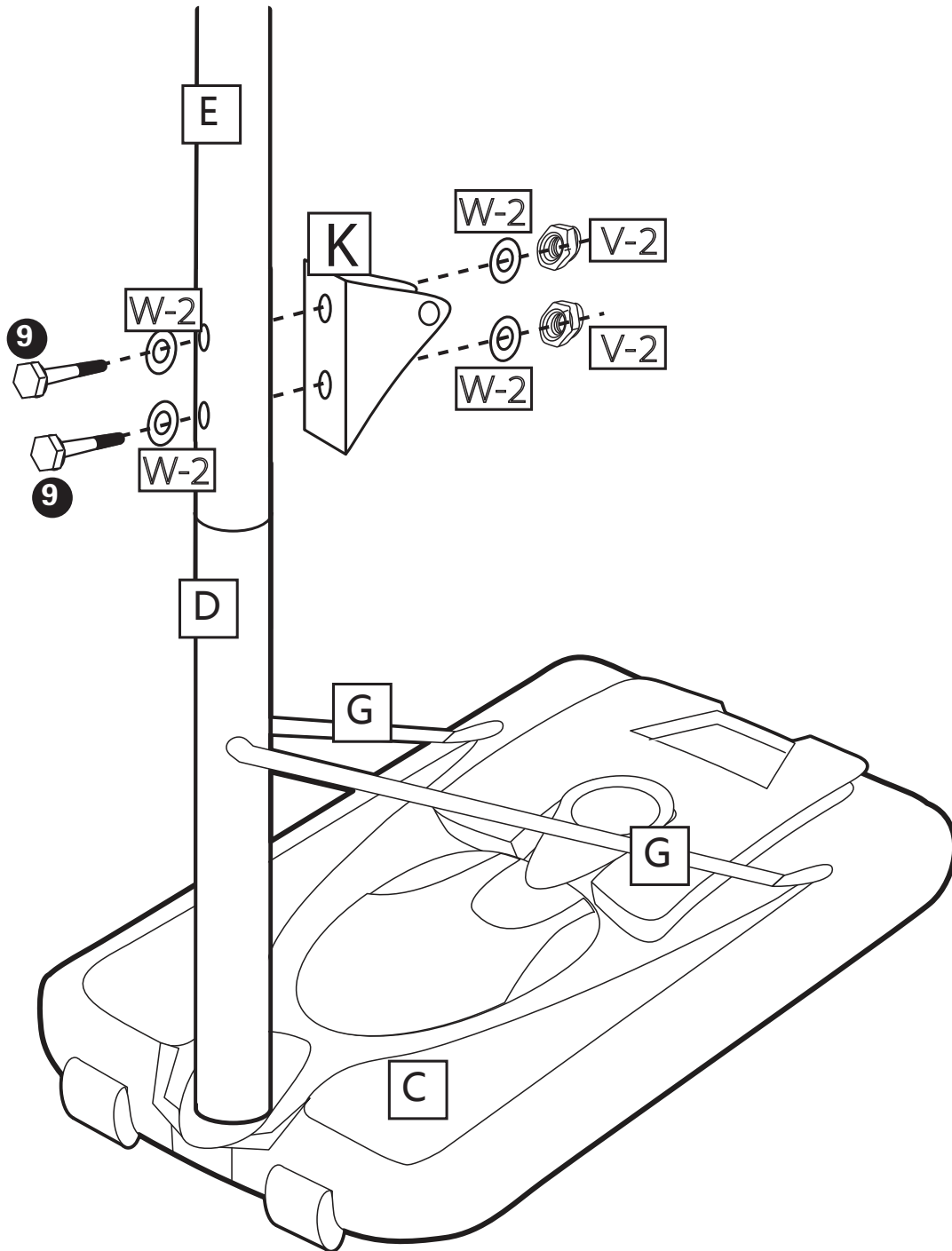
Trin 1

1. Før hjulaksel (I) igennem de 2 hjul (H) og det nederste rør (D) på sandbasen (C).
2. Fastgør de 2 supportstænger (G) på det nederste rør (D) med to bolte (2) og to skiver (W-2).
3. Spænd derefter den anden ende af supportstængerne (G) fast i sandbasen (C) med to bolte (3), fire skiver (W-2) og to møtrikker (V-2).



Trin 2

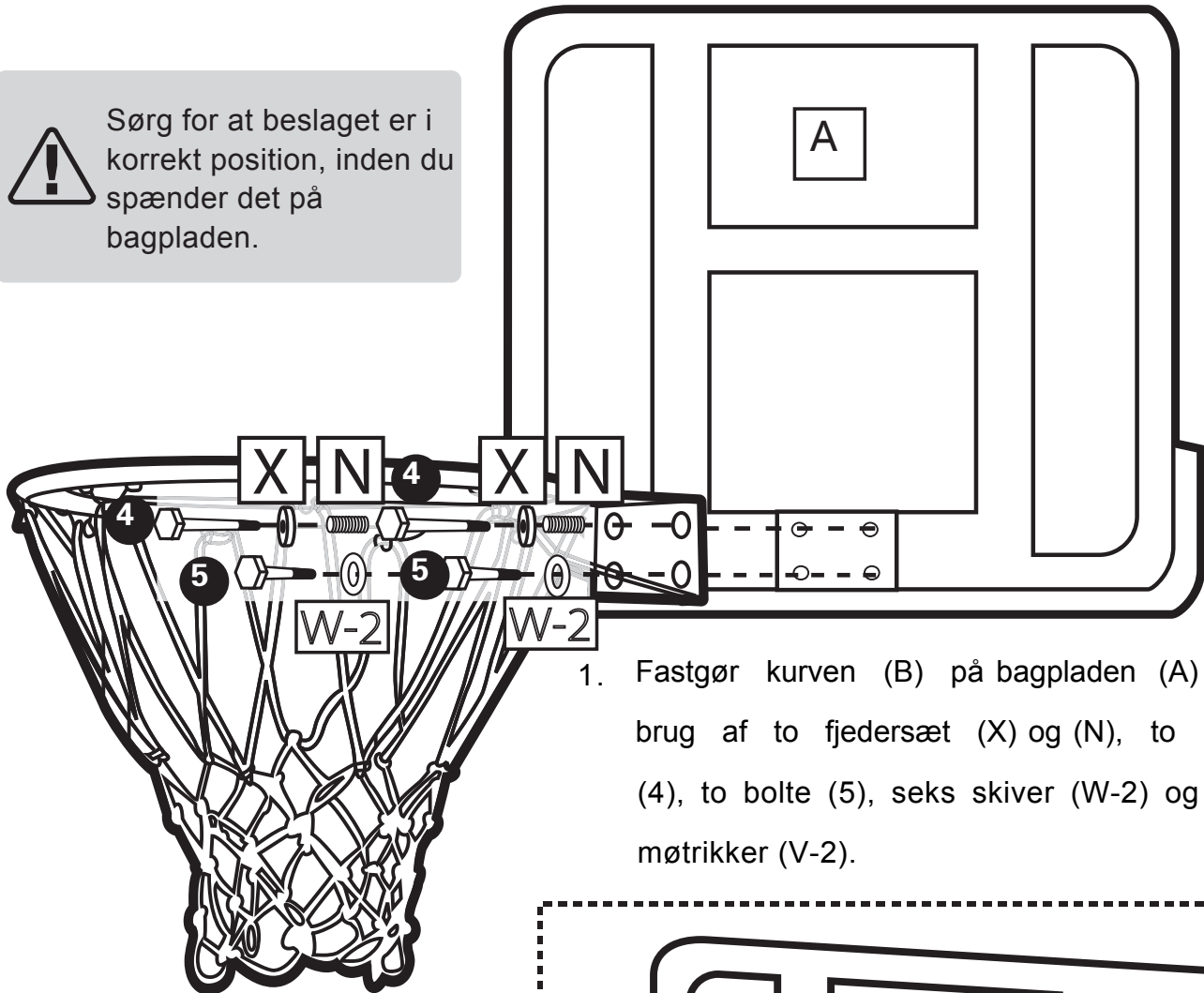
1. Sæt det midterste rør (E) sammen med det nederste rør (D).
2. Fastgør U-beslaget (K) på det midterste rør (E) med to bolte (9), fire skiver (W-2) og to møtrikker (V-2).



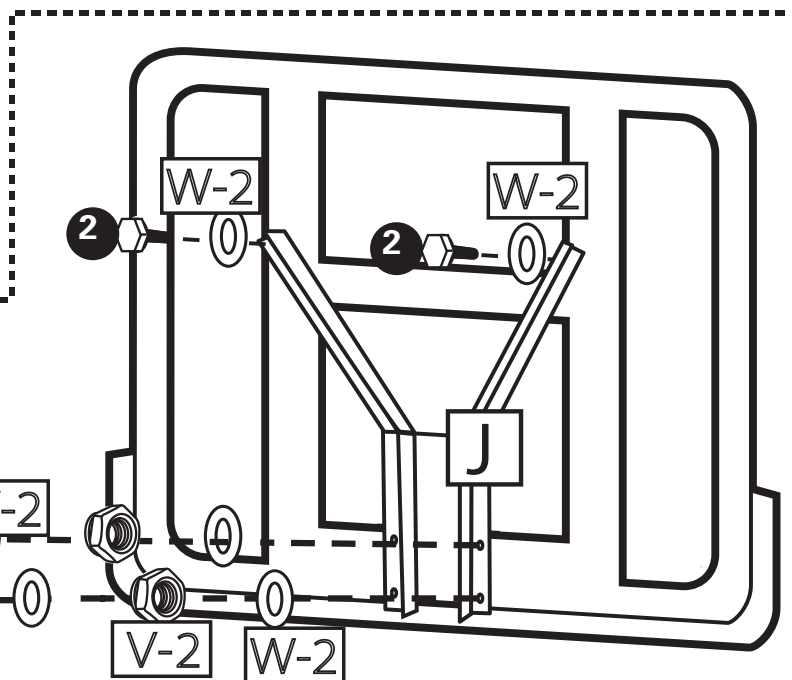
Trin 3



Sørg for at beslaget er i korrekt position, inden du spænder det på bagpladen.

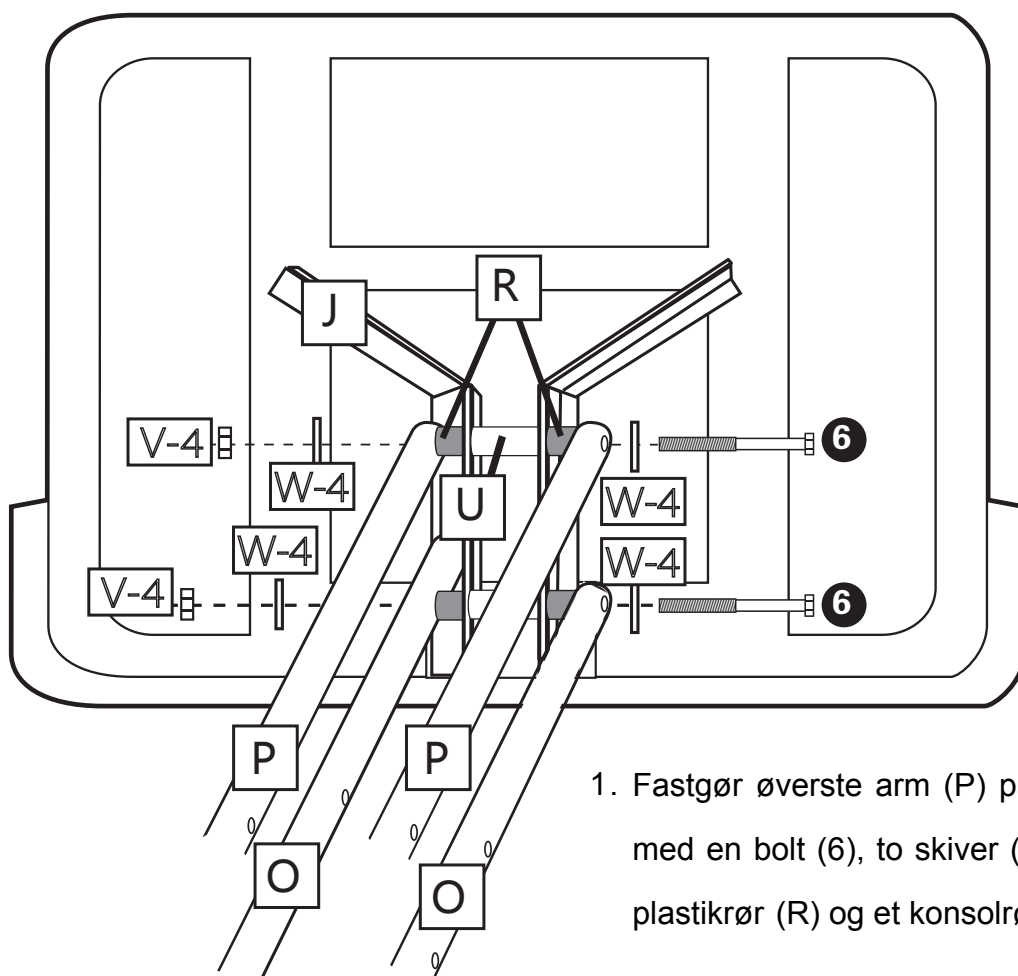


1. Fastgør kurven (B) på bagpladen (A) ved brug af to fjedersæt (X) og (N), to bolte (4), to bolte (5), seks skiver (W-2) og fire møtrikker (V-2).



2. Åbn V-beslaget (J) og fastgør beslaget på bagsiden af bagpladen (A) med to bolte (2) og to skiver (W-2).

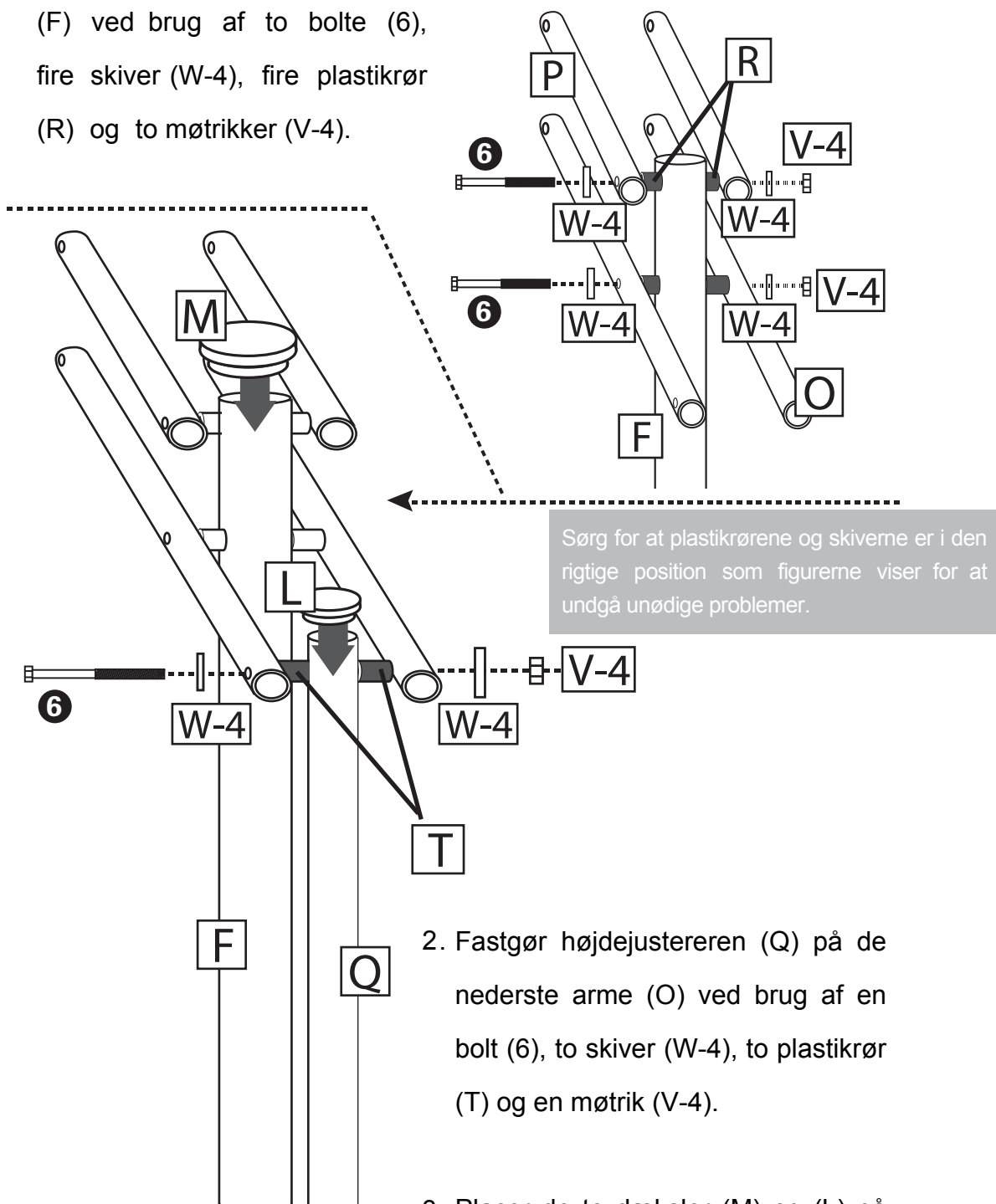
1. Montér nettet (B-2) på kurvens (B-1) kroge ved at finde huller i den øverste kant på nettet (B-2) og før nettet (B-2) over og rundt om midten på kurvens (B-1) kroge. Gentag for de resterende kroge i kurven



1. Fastgør øverste arm (P) på V-beslaget (J) med en bolt (6), to skiver (W-4), to plastkrør (R) og et konsolrør (U).
2. Fastgør nederste arm (O) på V-beslaget (J) på samme måde som ovenfor.

Sørg for at plastkrørene (R) og skiverne (W-4) er i den rigtige position som figurene viser for at undgå unødige problemer.

1. Fastgør nederste (O) og øverste arm (P) på toprøret (F) ved brug af to bolte (6), fire skiver (W-4), fire plastkrør (R) og to møtrikker (V-4).

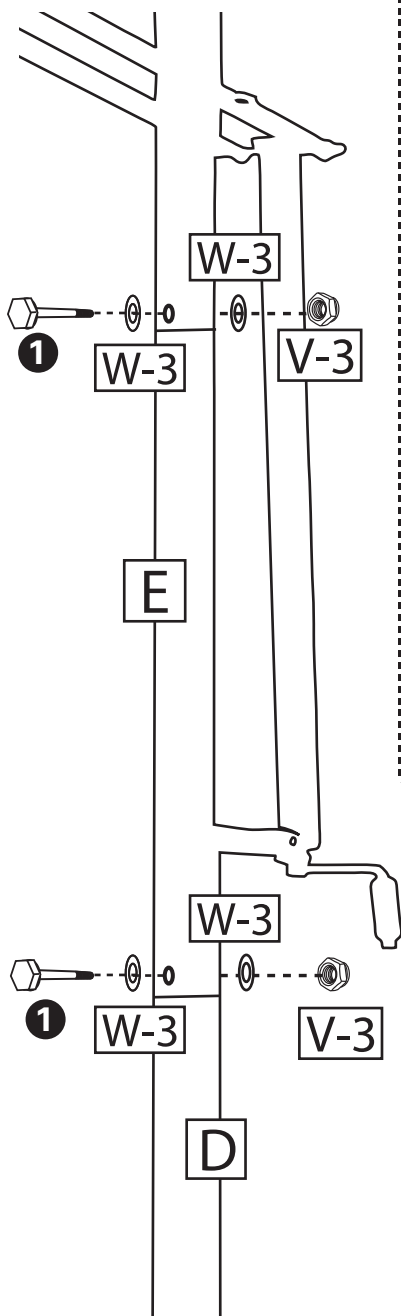


2. Fastgør højdejustereren (Q) på de nederste arme (O) ved brug af en bolt (6), to skiver (W-4), to plastkrør (T) og en møtrik (V-4).

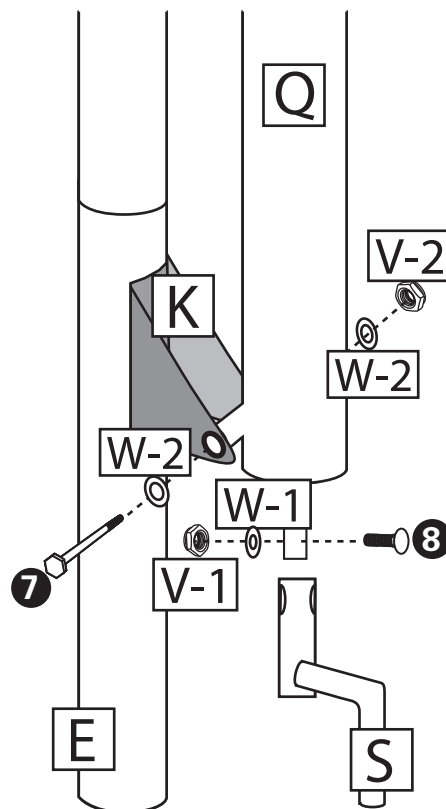
3. Placer de to dæksler (M) og (L) på toprøret og højdejusteringen.



Juster højdejusteringen til en passende højde for at placere højdejustereren og U-beslaget korrekt.



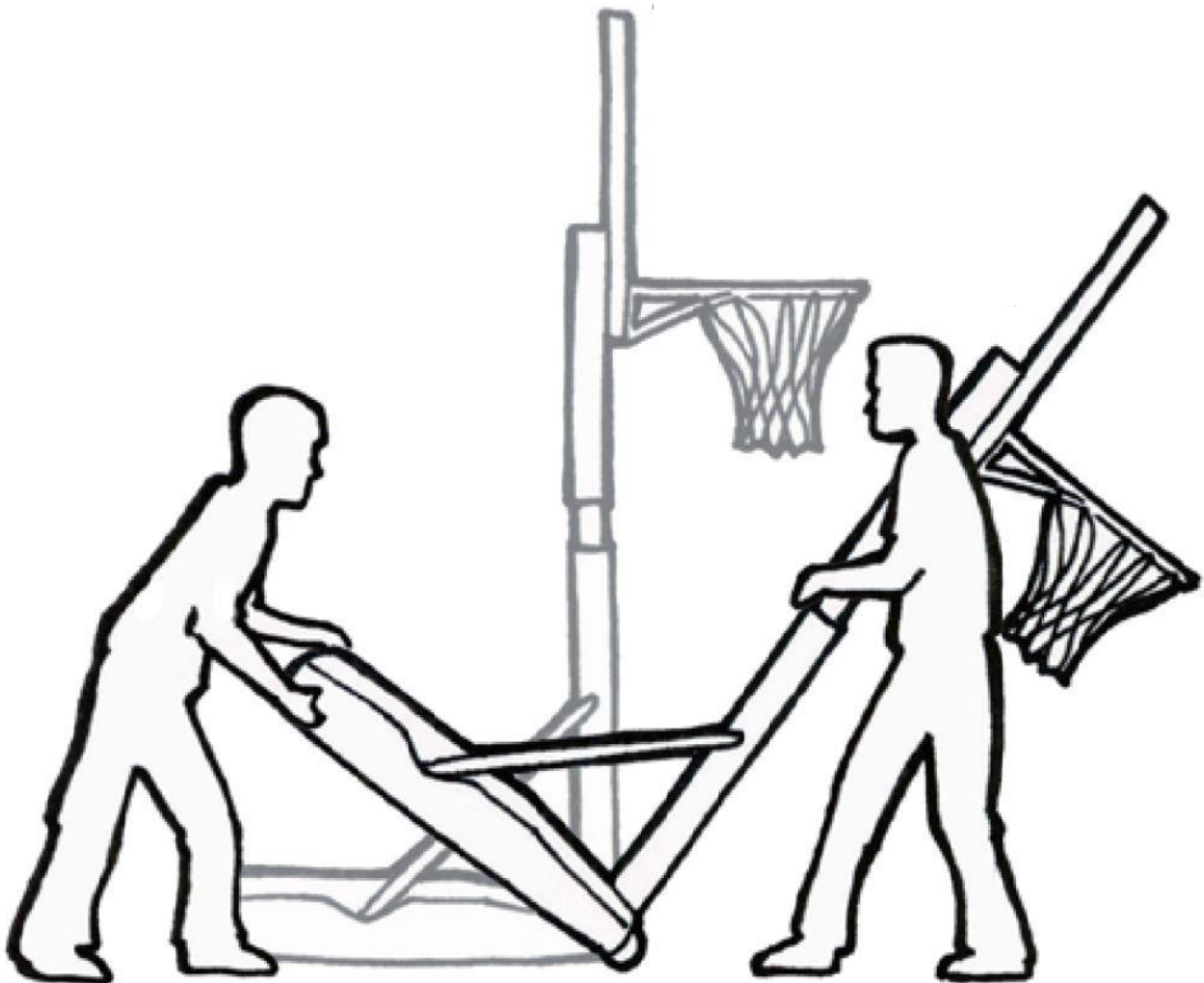
1. Fastgør højdejusteringen (Q) på U-beslaget (K) ved brug af en bolt (7), to skiver (W-2) og en møtrik (V-2).
2. Sæt højdejusteringshåndtaget (S) i højdejustereren ved brug af en skrue (8), en spændeskive (W-1) og en møtrik (V-1).
3. Fastgør toprøret på det midterste rør med en bolt (1), to spændeskiver (W-3) og en møtrik (V-3). Sæt det midterste og det nederste rør sammen på samme måde.



Trin 7

OBS! Der skal være 2 personer til at påfylde sand i sandbasen. Brug ikke vand da dette vil sive ud eller frostspringe.

1. Placér basketballstanderen hvor den skal benyttes og afmonter låget til sandbasen.
2. Justér basketballstanderen til laveste højde og tilt standeren i 45 grader.
3. Påfyld derefter sand i sandbasen.
4. Når sandbasen er fyldt med sand, tiltes basketballstanderen på plads og resten af sandbasen fyldes med sand.



ADVARSEL! Hvis du ikke følger alle instruktioner og advarsler præcist kan det medføre alvorlig personskade.



**Bestplay A/S
Knullen 22
5260 Odense S
Tlf. +45 70 22 72 92
Danmark**



Basketball stand PRO/PRO safe



 **WARNING**
CHOKING HAZARD
small parts
Adult assembly required
retain for future
reference



Safety warning

Read all instructions and complete all assembly before using.

When properly assembled and used as intended, this basketball stand is designed to provide many hours of training and playing enjoyment.

Inspect the basketball stand before every use. Make sure all parts are correctly and securely positioned and attached. Tighten any loose parts. Replace any worn, defective, or missing parts.

Never let children climb on the basketball stand as this can result in basketball stand tipping over causing serious injuries to the child.

Adult supervision is necessary at all times when the basketball stand is used by children. **WARNING!** The basketball stand can tip over in windy weather. Make sure to fasten it or moving it to a secure location if weather is turning windy/stormy.

The metal frame of the basketball stand can conduct electricity. Lights, extension cords, and all such electrical equipment must never be allowed to come in contact with the basketball stand.

Assembly

Clearance from all nearby objects is essential. Place the basketball stand away from walls, structures and fences. Maintain a clear space on all sides of the basketball stand.

Adequate overhead clearance is essential. Provide clearance for wires, tree limbs, and other possible obstacles.

Never set up the basketball stand in heavy rain, wind or storm conditions, especially storms. When moving the assembled basketball stand have minimum two people to lift the basketball stand off the ground with even weight distribution.

Place the basketball stand on an even surface before use.

Secure the basketball stand against unauthorized and unsupervised use.

Maintenance

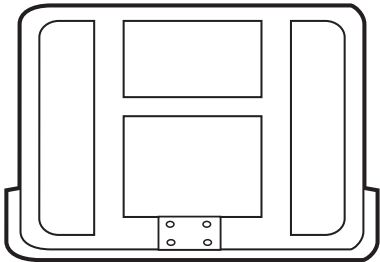
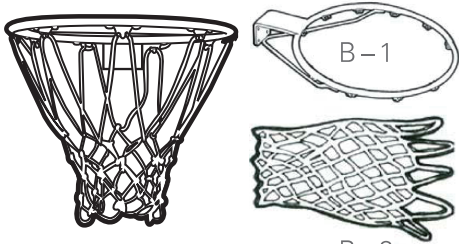
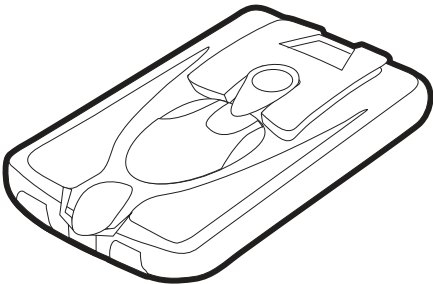



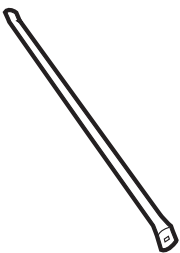
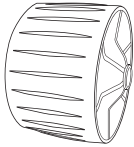
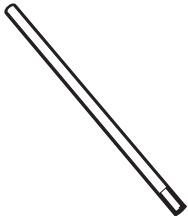



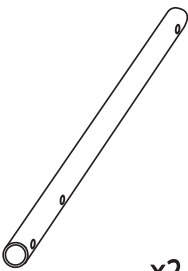
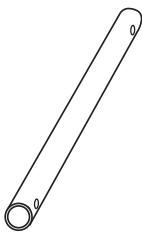


Inspect the basketball stand before each use and replace any torn, defective, or missing parts. The following conditions could present potential hazards:


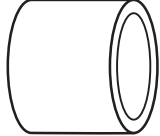


1. Missing, wrongly positioned, or insecurely attached pipes or basket.
2. Punctures, frays, tears, or holes worn in the basketball stand.
3. A bent or broken pipe or support system.
4. Sharp points sticking out of the pipe or basket.
5. Loosened or missing hardware.




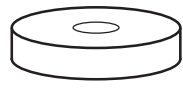
Before assembling

1. It is recommended to be at least two persons to assemble this product.
2. Do not leave the basketball stand without support before the sandbase has been filled with sand.
3. Do not use water, as this can leak. In cold weather water may freeze and damage the base.
4. This basketball stand can **not** be used for dunks.





Packing list



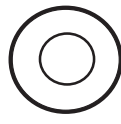
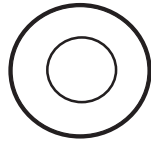
<p>A Backboard</p>  <p>x1</p>	<p>B Basket/Net</p>  <p>x1</p>		
<p>C Sandbase</p>  <p>x1</p>	<p>D Lower main pipe</p>  <p>x1</p>	<p>E Middle main pipe</p>  <p>x1</p>	<p>F Top main pipe</p>  <p>x1</p>
<p>G Support-bars</p>  <p>x2</p>	<p>H Wheels</p>  <p>x2</p>	<p>I Wheel axle</p>  <p>x1</p>	<p>J V-Bracket</p>  <p>x1</p>
<p>K U-Bracket</p>  <p>x1</p>	<p>M Top Pole Cap</p>  <p>x1</p>	<p>O Lower Arms (Long)</p>  <p>x2</p>	<p>P Upper Arms (Short)</p>  <p>x2</p>
<p>L Height Adjuster Cap</p>  <p>x1</p>	<p>N Spring</p>  <p>x2</p>		


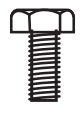
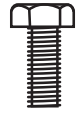


<p>Q Height Adjuster</p>  <p>x1</p>	<p>R Plastic Mat (Long)</p>  <p>x8</p>	<p>S Height Adjuster Handle</p>  <p>x1</p>	<p>T Plastic Mat (Short)</p>  <p>x2</p>
---	--	--	---



<p>U Bracket Tube</p>  <p>x2</p>	<p>V Lock Nut</p>  <p>x17</p> <p>M5 x1 M10 x2 M8 x9 M12 x5</p>	<p>W Washer</p>  <p>x35</p> <p>M5 x1 M10 x4 M8 x20 M12 x10</p>	<p>X Spring Cap</p>  <p>x2</p>
--	--	--	--



Lock Nuts Details	Washers Details
-------------------	-----------------

<p>V-1 M5</p>  <p>x1</p>	<p>V-2 M8</p>  <p>x9</p>	<p>W-1 M5</p>  <p>x1</p>	<p>W-2 M8</p>  <p>x20</p>
--	--	--	---

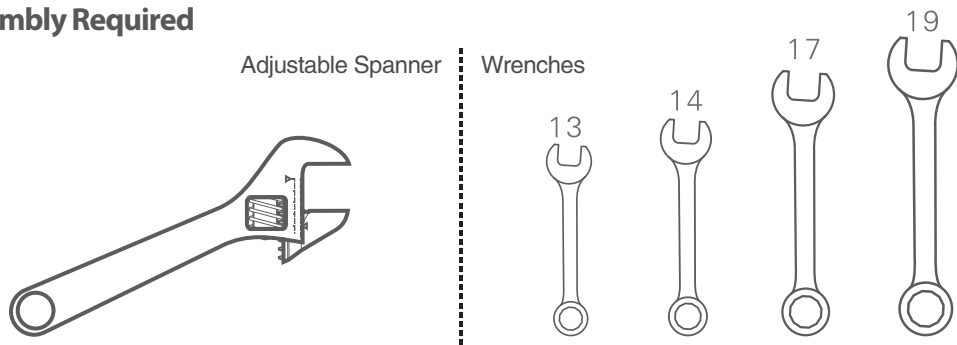
<p>V-3 M10</p>  <p>x2</p>	<p>V-4 M12</p>  <p>x5</p>	<p>W-3 M10</p>  <p>x4</p>	<p>W-4 M12</p>  <p>x10</p>
---	---	---	--

<p>M10 x90mm</p>  <p>1 x2</p>	<p>M8 x16mm</p>  <p>2 x4</p> <hr/> <p>M8 x20mm</p>  <p>3 x2</p>	<p>M8 x100mm</p>  <p>4 x2</p>	<p>M12 x180mm</p>  <p>6 x5</p>
---	---	---	--

<p>M8 x 40mm</p>  <p>5 x2</p>	<p>M8 x 65mm</p>  <p>7 x1</p>
---	---

<p>M5 x 25mm</p>  <p>8 x1</p>	<p>M8 x 90mm</p>  <p>9 x2</p>
---	---

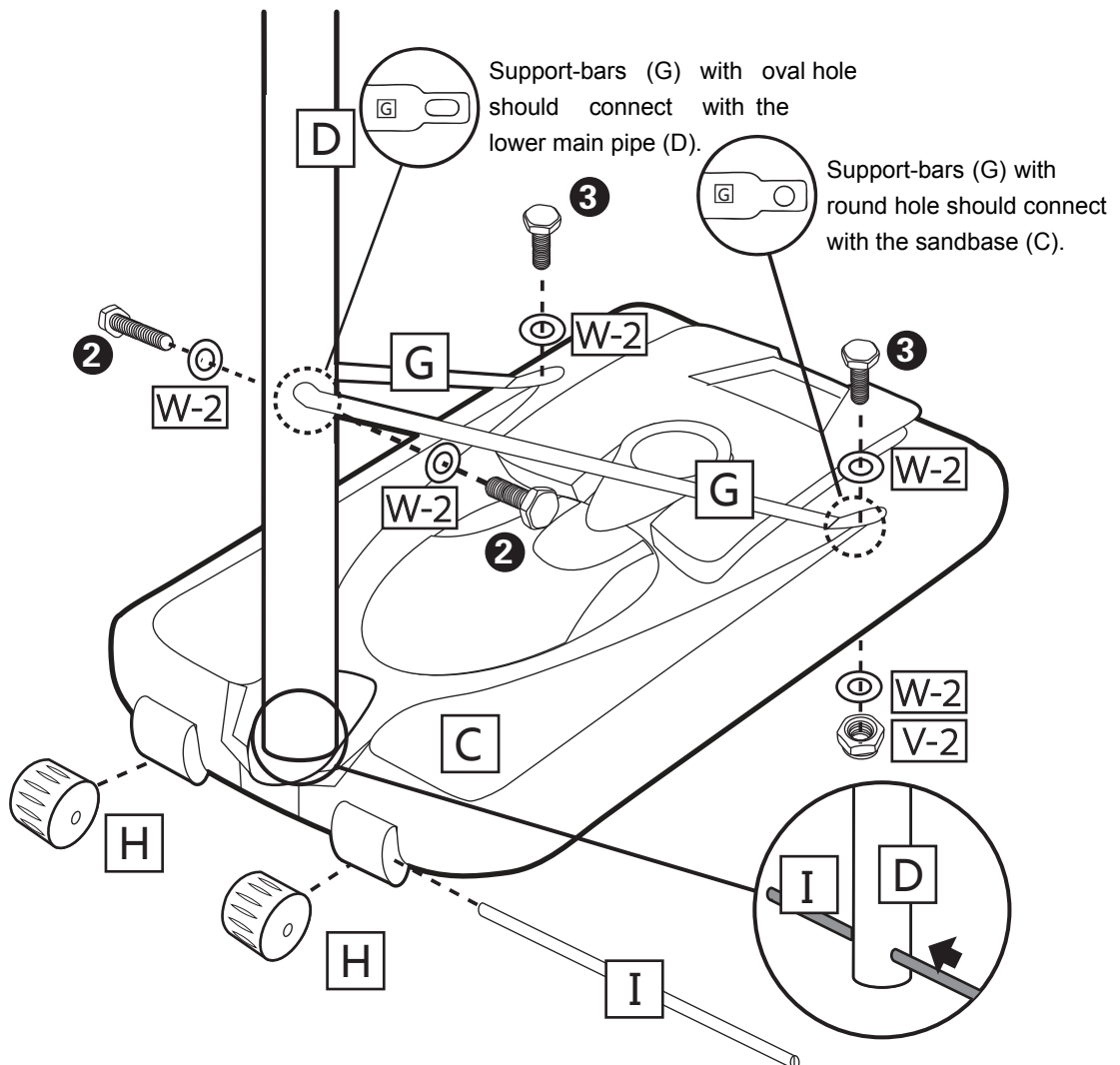
Assembly Required



Assembly

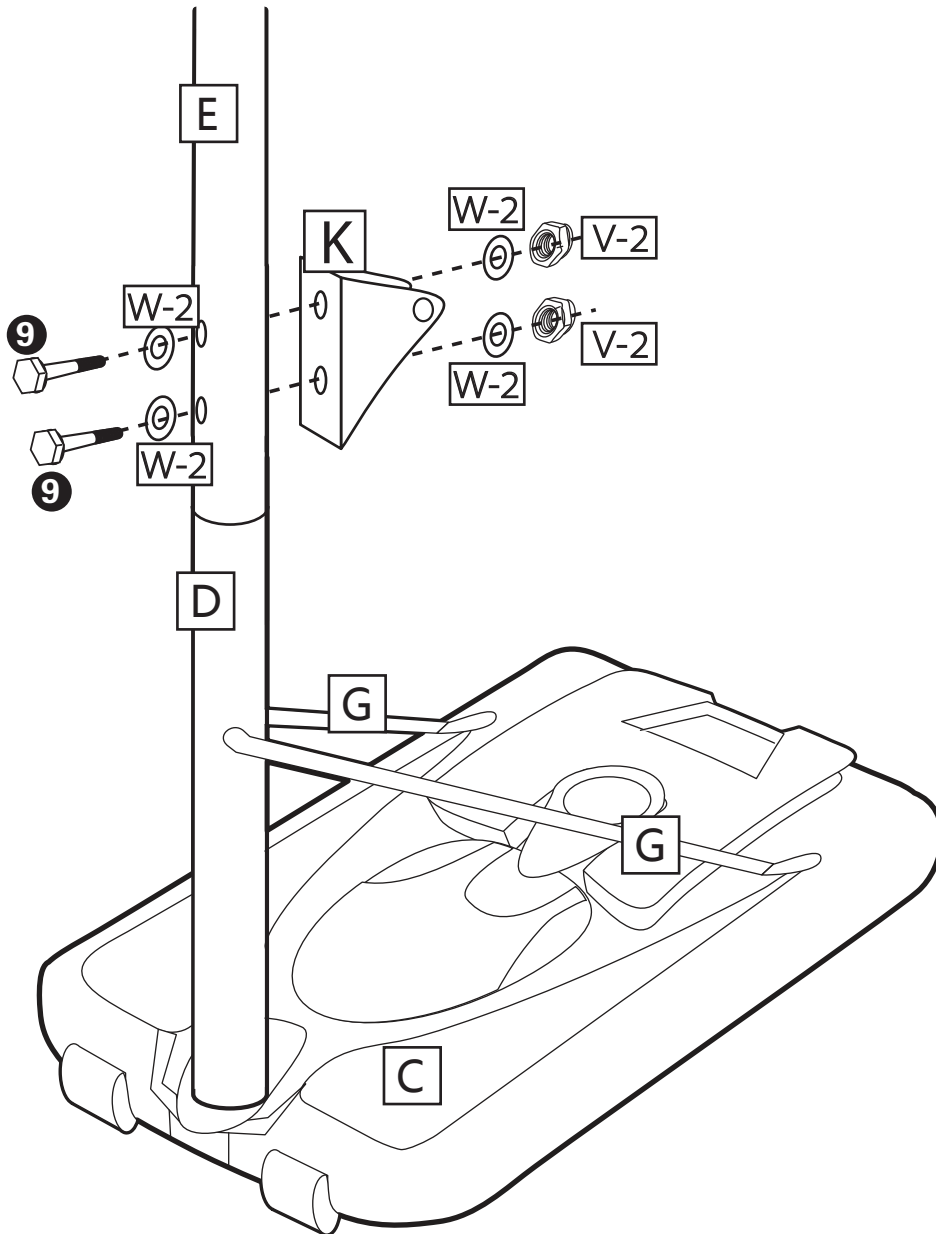
Step 1

1. Insert wheel axle (I) through the two wheels (H) and the lower main pipe (D) on the sandbase (C).
2. Fasten the two support-bars (G) onto the lower main pipe (D) with two bolts (2) and two washers (W-2).
3. Now fasten the other end of the support-bars (G) onto the sandbase (C) using two bolts (3), four washers (W-2) and two nuts (V-2).



Step 2

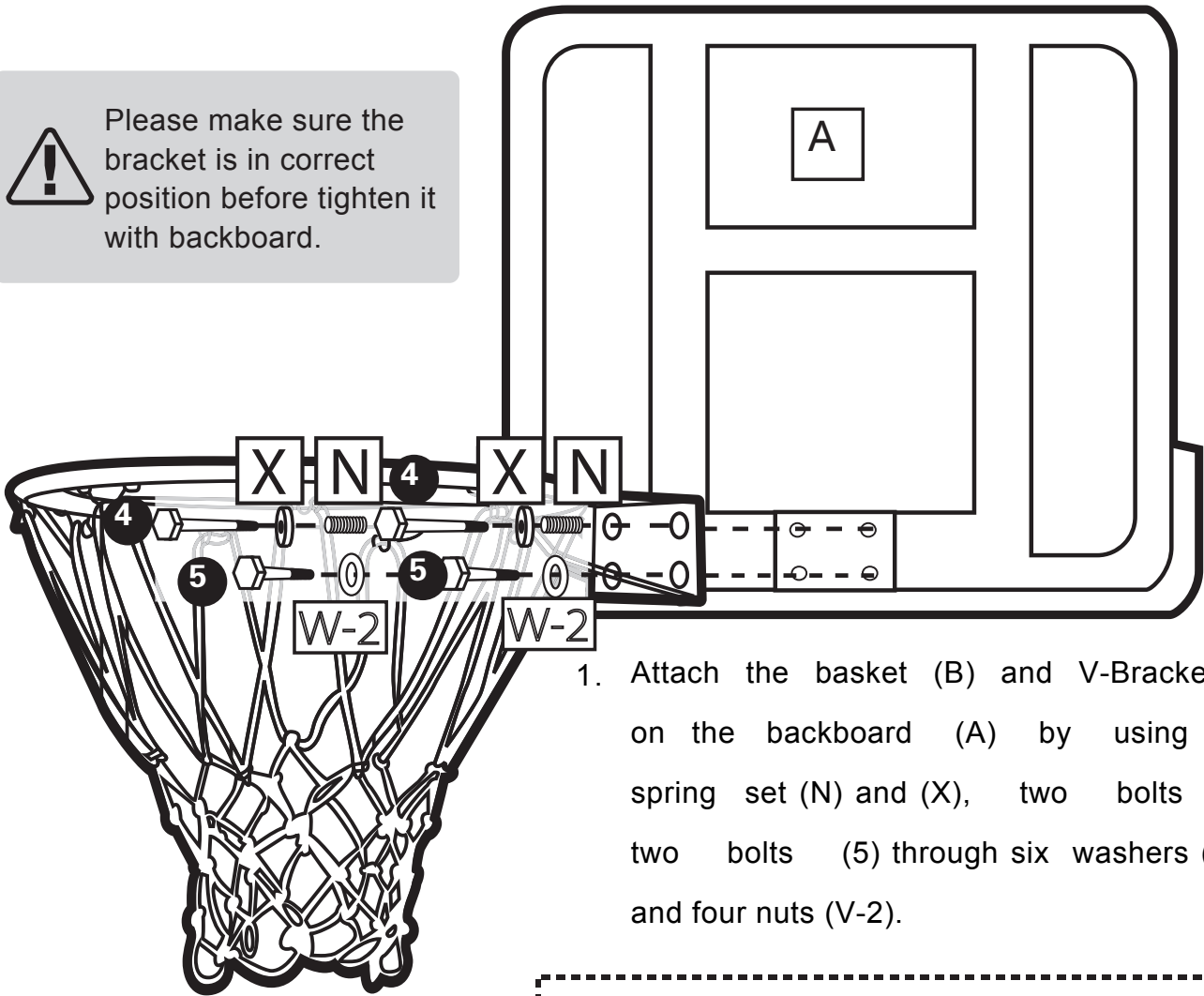
1. Attached the middle main pipe (E) to the lower main pipe (D) straightly.
2. Secure the U-bracket (K) on the middle main pipe (E) at the joint by two bolts (9) through four washers (W-2) and two nuts (V-2).



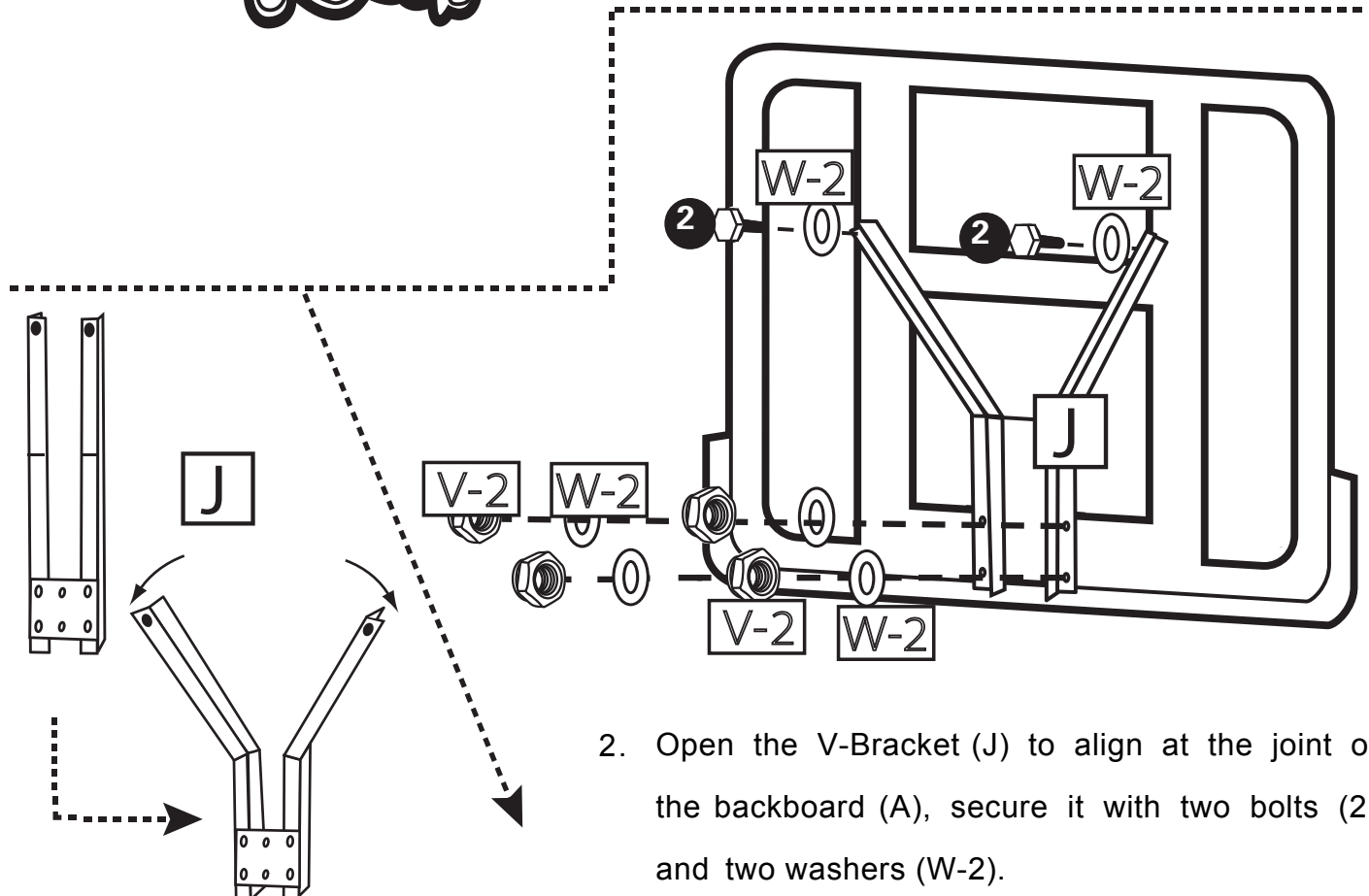
Step 3



Please make sure the bracket is in correct position before tighten it with backboard.



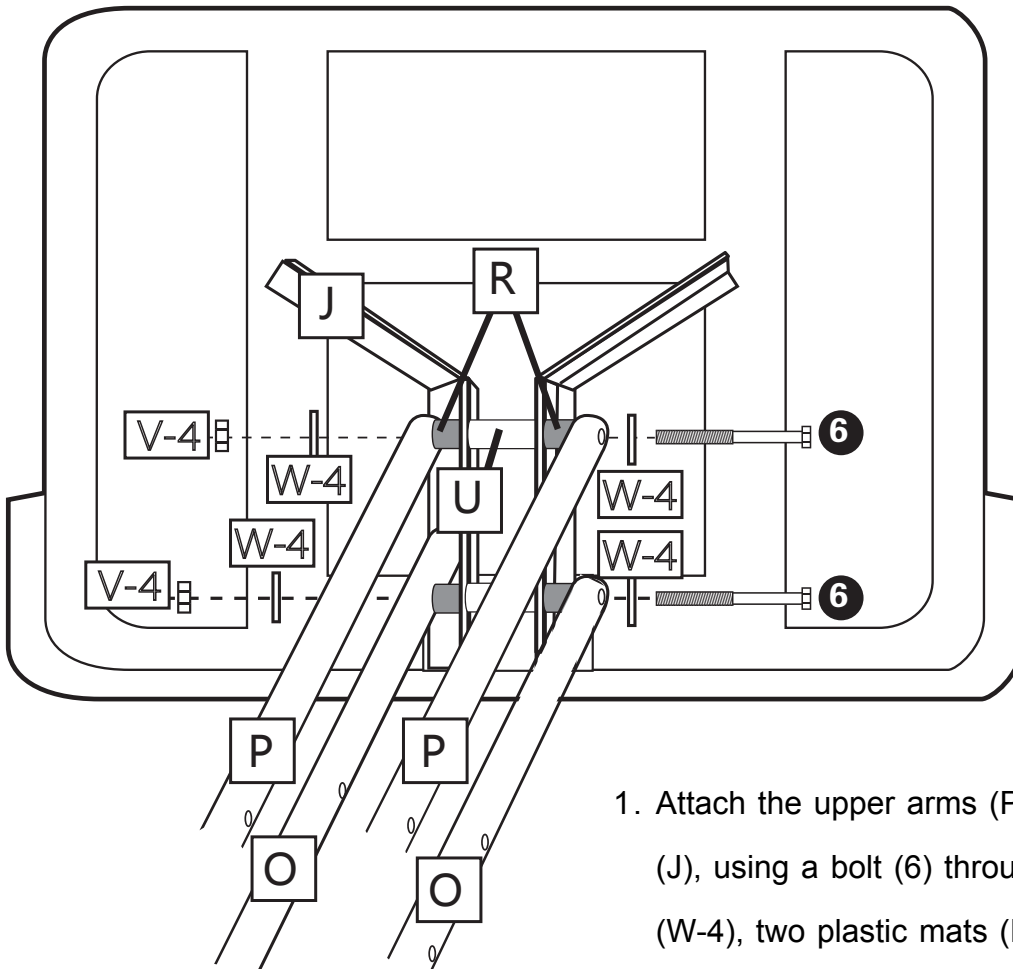
1. Attach the basket (B) and V-Bracket (J) on the backboard (A) by using two spring set (N) and (X), two bolts (4), two bolts (5) through six washers (W-2) and four nuts (V-2).



2. Open the V-Bracket (J) to align at the joint of the backboard (A), secure it with two bolts (2) and two washers (W-2).

Step 4

1. Fasten the net (B-2) onto the baskets (B-1) hooks. Find loops at top edge of the net (B-2). Hook one loop over and around center of the baskets hook (B-1). Pull loop down to secure loop within baskets hook. Repeat for remaining net loops.

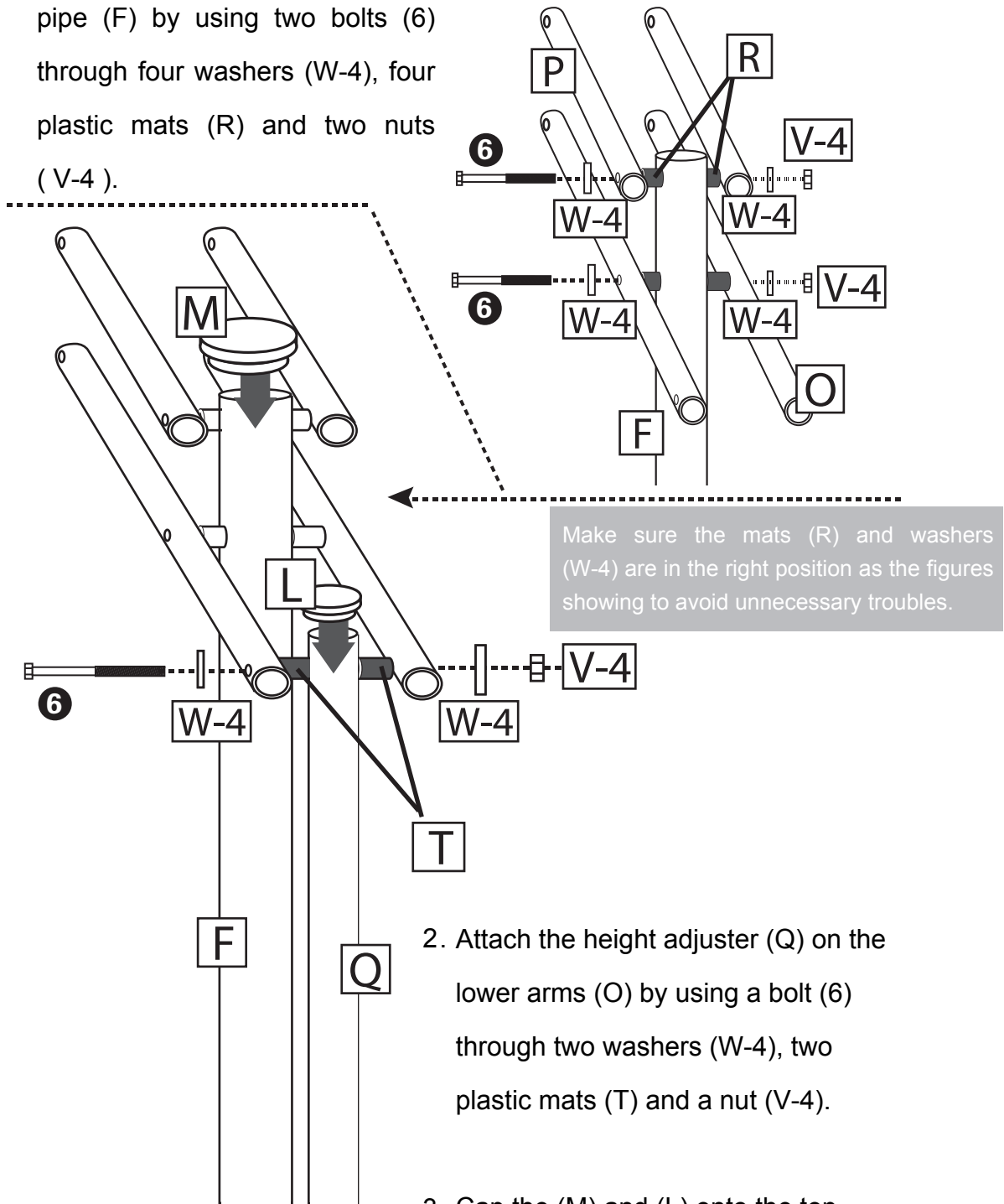


Make sure the mats (R) and washers (W-4) are in the right position as the figures showing to avoid unnecessary troubles.

1. Attach the upper arms (P) on the V-Bracket (J), using a bolt (6) through two washers (W-4), two plastic mats (R) and a bracket tube.
2. Attach the lower arms (O) on the V-Bracket (J) in the same way above.

Step 5

1. Attach the upper arms (P) and lower arms (O) on the top main pipe (F) by using two bolts (6) through four washers (W-4), four plastic mats (R) and two nuts (V-4).

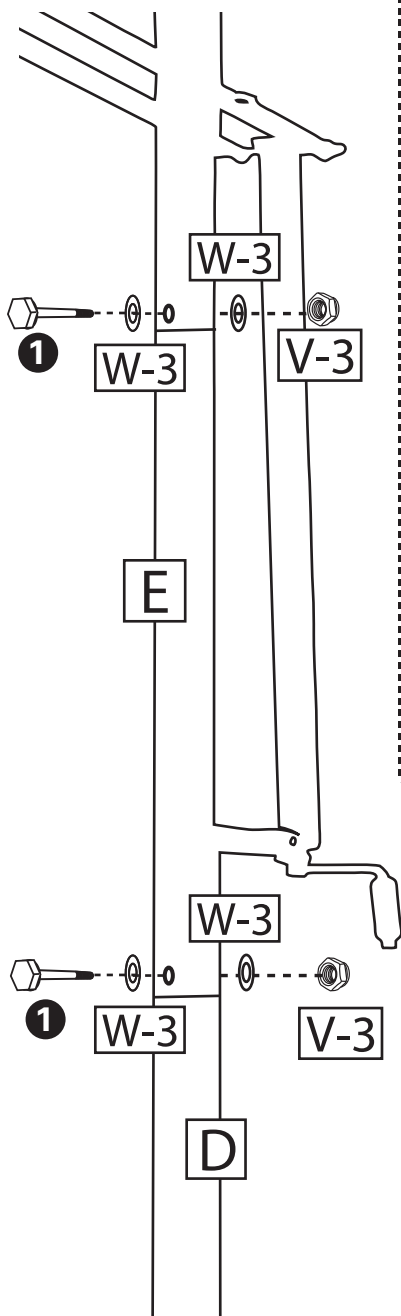


2. Attach the height adjuster (Q) on the lower arms (O) by using a bolt (6) through two washers (W-4), two plastic mats (T) and a nut (V-4).
3. Cap the (M) and (L) onto the top main pipe and the height adjuster.

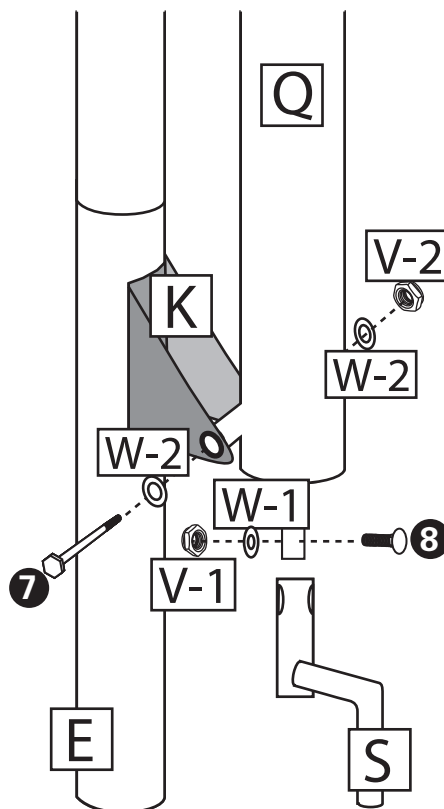
Step 6



Adjust the height adjuster (Q) to a suitable height in order to connect the height adjuster (Q) and U-bracket (K) properly.



1. Attach the height adjuster (Q) on the bracket (K) by using a bolt (7) through two washers (W-2) and a nut (V-2).
2. Attach the height adjuster handle (S) into height adjuster (Q) by using a screw (8) through a washer (W-1) and a nut (V-1).
3. Attach the top main pipe onto the middle main pipe at the joint using a bolt (1) through two washers (W-3) and a nut (V-3) to secure. Assemble the middle main pipe and the lower main pipe in the same way.



Step 7

Attention! It is recommended to be two persons when filling the base with sand. Do not use water, as it can leak. In cold weater the freezing may cause damage if the base is filled with water.

1. Place the basketball stand at a suitable location and unscrew the lid of the sandbase.
2. Adjust the basketball stand to lowest setting and tilt the stand 45 degrees, as shown on picture below. It is recomended to be two adults.
3. Fill the sandbase with sand.
4. When the base is seemingly full of sand, tilt the basketball stand back down and pour more sand into the base.



WARNING! Failure to follow the instructions may cause bodily damage.



**Bestplay A/S
Knullen 22
5260 Odense S
Tlf. +45 70 22 72 92
Denmark**