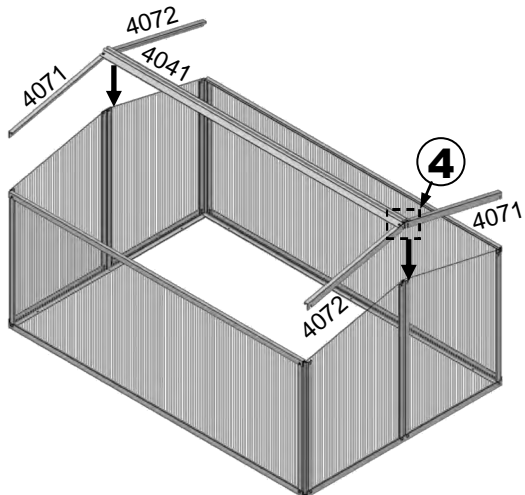
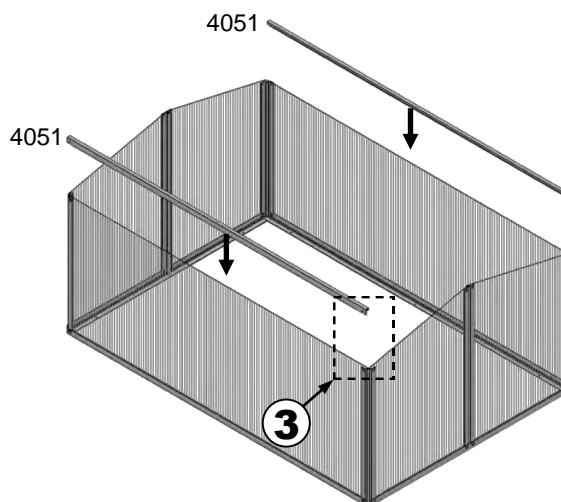
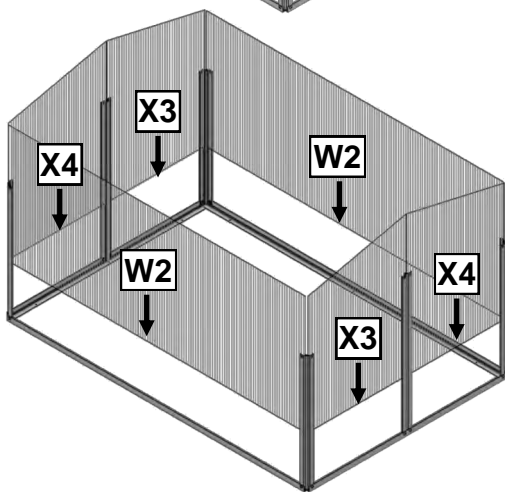
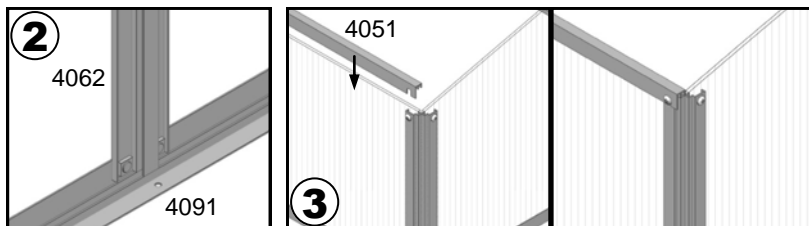
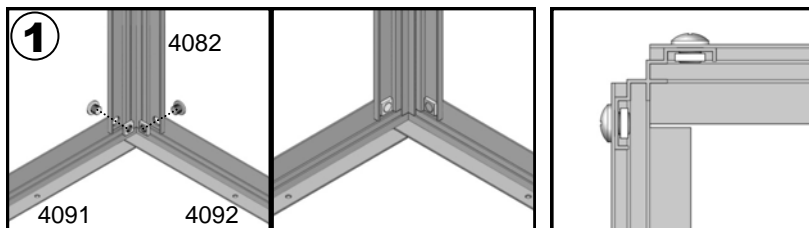
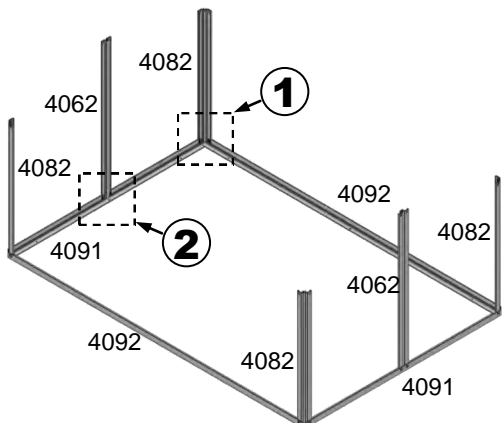
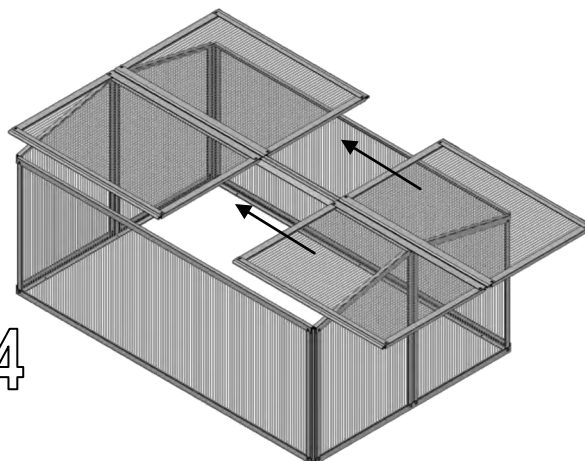
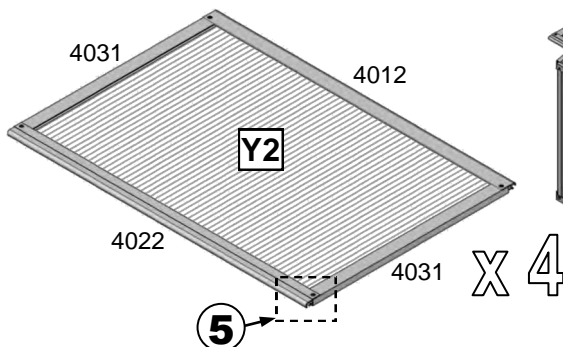
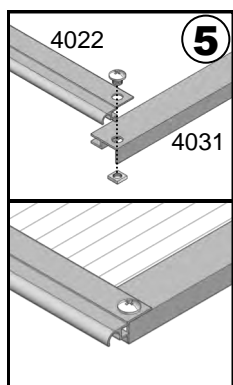
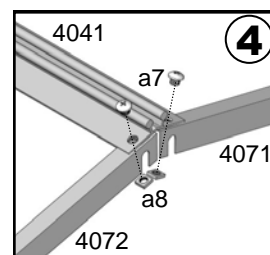


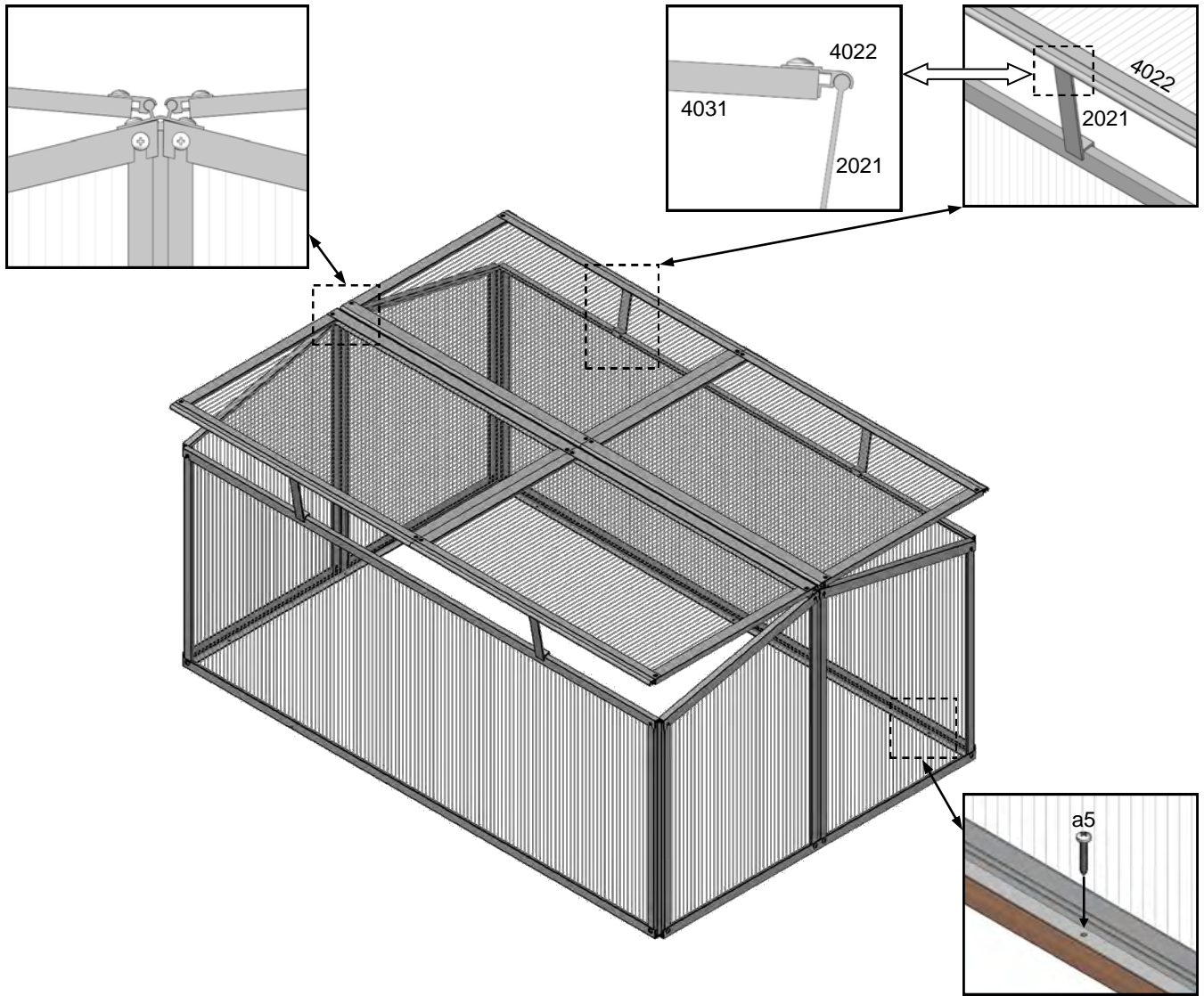
F332

DOUBLE COLD FRAME Assembly instruction



Note: Part #4071 & #4072 should be connected with part #4041 firstly, and then were fixed on the part #4082 & #4062.





The list of Section

Part No.	Length (mm)	Drawing	QTY	Part No.	Length (mm)	Drawing	QTY
4012	599		4	4082	458		4
2021	-		4	4022	599		4
4031	392		8				
4041	1198		1	W2	1178x468		2
4091	779		2	X3/X4	388x468/556		4
4092	1179		2	Y2	573x403		4
4051	1179		2	a5	M3.5x19		12
4062	546		2	a7	M6x4.8		44
4071	402		2	a8	M6		44
4072	402		2				