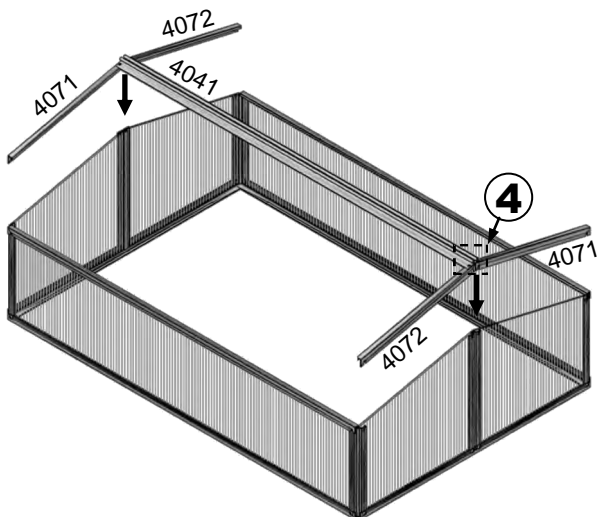
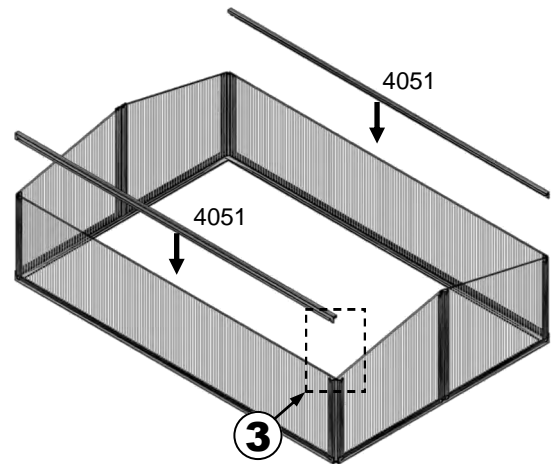
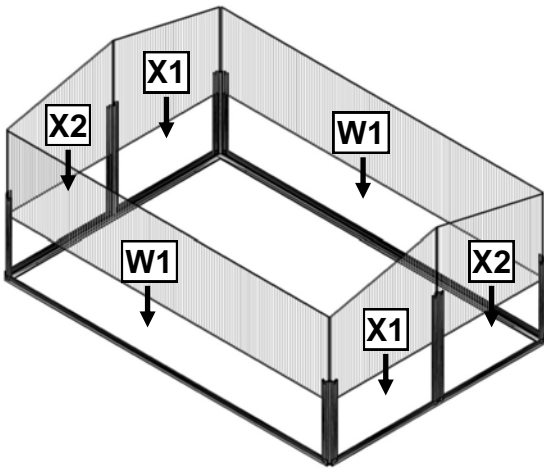
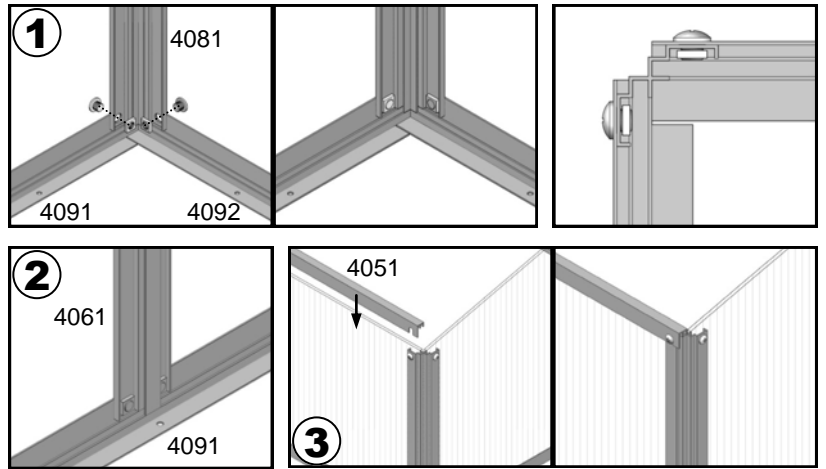
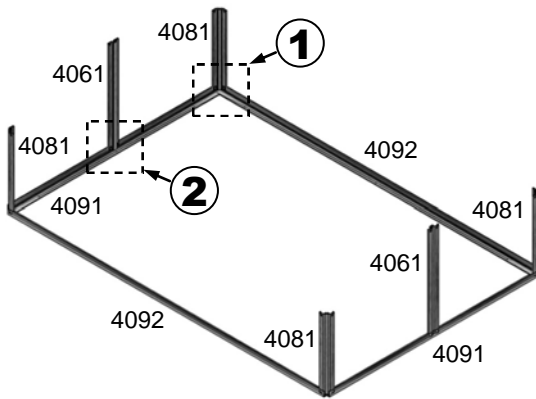
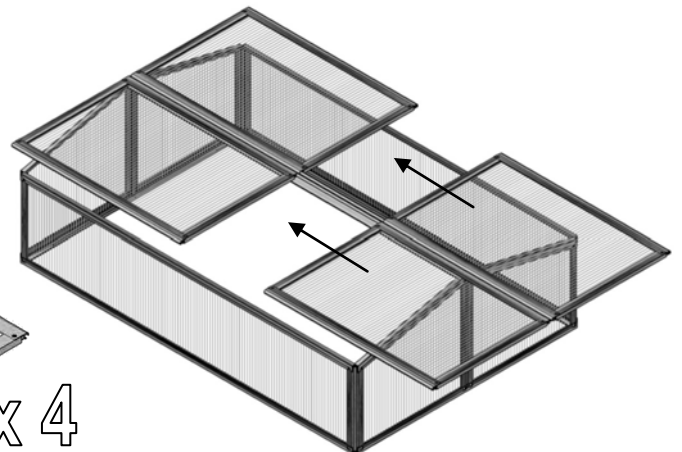
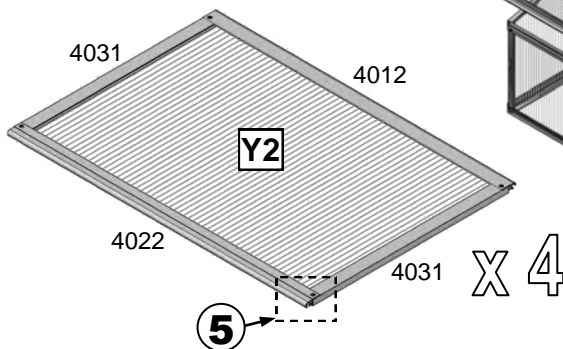
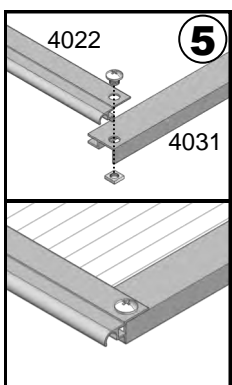
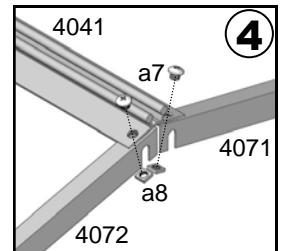


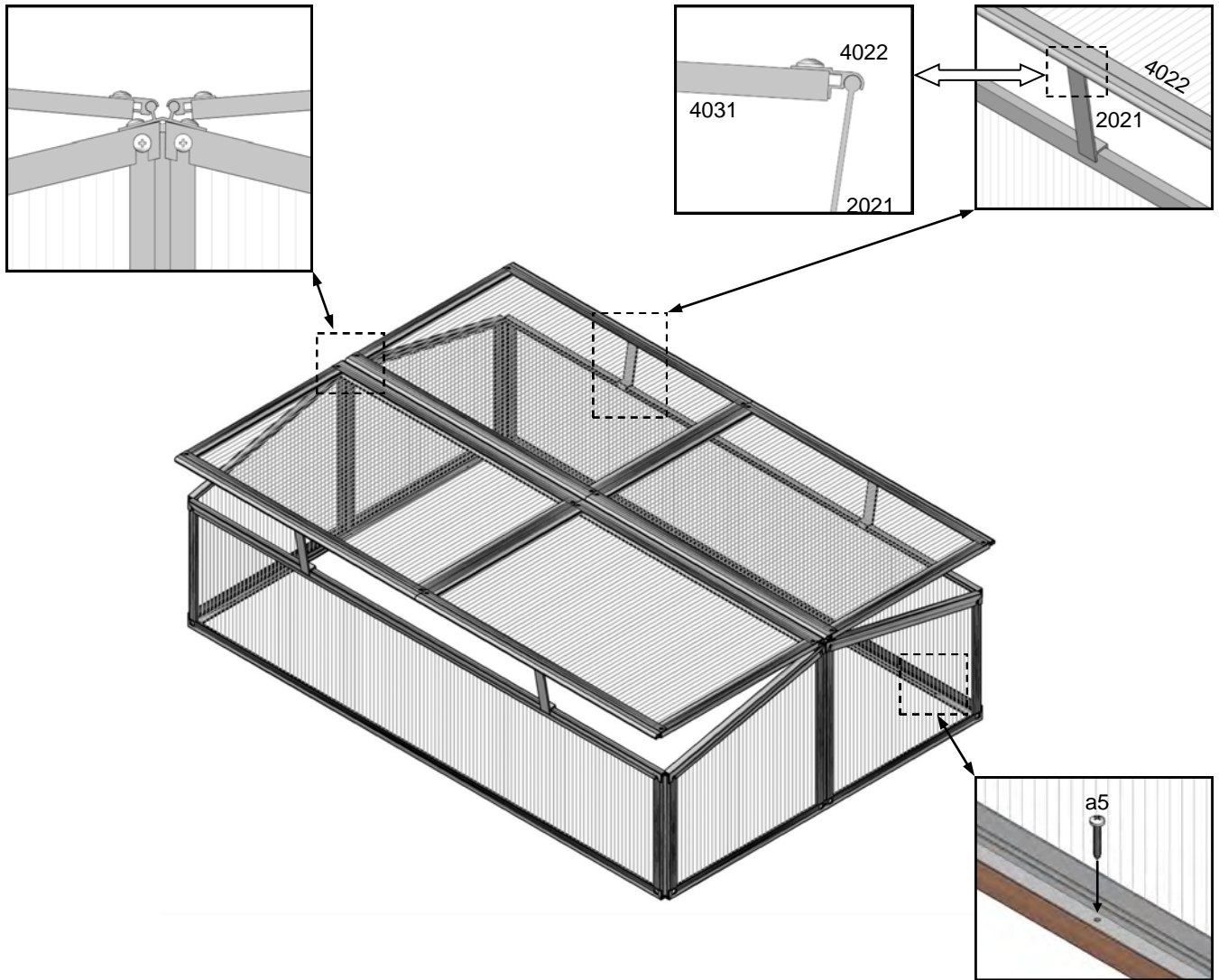
C332

DOUBLE COLD FRAME Assembly instruction



Note: Part #4071 & #4072 should be connected with part #4041 firstly, and then were fixed on the part #4081 & #4061.





The list of Section

| Part No. | Length (mm) | Drawing | QTY | Part No. | Length (mm) | Drawing | QTY |
|----------|-------------|---------|-----|----------|-------------|---------|-----|
| 4012 | 599 | | 4 | 4081 | 258 | | 4 |
| 2021 | - | | 4 | 4022 | 599 | | 4 |
| 4031 | 392 | | 8 | | | | |
| 4041 | 1198 | | 1 | W1 | 1178x268 | | 2 |
| 4091 | 779 | | 2 | X1/X2 | 388x268/356 | | 4 |
| 4092 | 1179 | | 2 | Y2 | 573x403 | | 4 |
| 4051 | 1179 | | 2 | a5 | M3.5x19 | | 12 |
| 4061 | 346 | | 2 | a7 | M6x4.8 | | 44 |
| 4071 | 402 | | 2 | a8 | M6 | | 44 |
| 4072 | 402 | | 2 | | | | |